

# Horizon



# Aqua One®

65 / 130 / 182

Inspiring Excellence in Fish Keeping!



Instruction version: 28/06/2010

[www.aquaone.com.au](http://www.aquaone.com.au)

# Contents, Inhalt, Contenu, Inhoud

---

<b>GB</b>	Page	<b>D</b>	Seiten
Important Safeguards	4	Wichtige Sicherheitshinweise	10
Before First Use / Preparation	5	Vor der ersten Benutzung / Vorbereitungen	11
Set Up Instructions	5	Richten Sie Ihr Aquarium Ein	11
Light Unit Installation	6	Beleuchtung Installation	12
Light Unit Diagrams	7	Beleuchtung Diagramme	13
Specifications	8	Spezifikationen	14
Guarantee	9	Garantie	15

<b>F</b>	Pages	<b>NL</b>	Bladzijden
Précautions importantes	16	Belangrijke voorzorgsmaatregelen	22
Avant la première utilisation/ Préparation	17	Vóór eerste gebruik/Vorbereiding	23
Instructions d'installation	17	Installatie-instructies	23
Installation d'unité lumineuse	18	Verlichtingseenheid Installatie	24
Diagrammes d'unité lumineuse	19	Verlichtingseenheid Diagrammen	25
Spécifications	20	Specificaties	26
Garantie	21	Garantie	27

# Contenido, Índice, Contenuti, 目录

---

<b>ES</b>	<b>Página</b>	<b>PT</b>	<b>Página</b>
Medidas de Preparación	28	Precauções Importantes	34
Antes de su uso/Preparación	29	Antes da primeira utilização / Preparação	35
Instrucciones de montaje	29	Instruções para Instalação	35
Unidad de Luz Instalación	30	Instalação de Unidade Luminosa	36
Unidad de Luz Diagramas	31	Esquema de Unidade Luminosa	37
Especificaciones	32	Especificações	38
Garantía	33	Garantia	39

<b>IT</b>	<b>Pagina</b>	<b>中文</b>	<b>頁</b>
Precauzioni imporanti	40	重要保障措施	46
Prima del primo utilizzo / Preparazione	41	首次使用/准备	47
Istruzioni di montaggio	41	安装说明	47
Installazione de Unità Luce	42	安裝照明	48
Schema de Unità Luce	43	图解	49
Specifiche	44	参数	50
Garanzia	45	保修	51

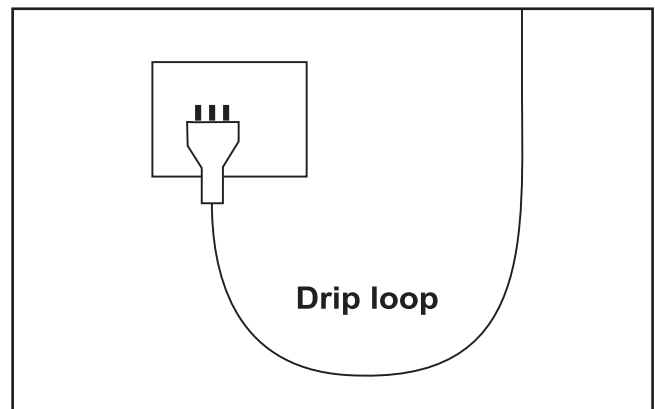
\*本文件中的资讯如有变更, 恕不另行通知\*

# Important Safeguards

**To guard against injury, basic safety precautions should be observed, including the following:**

1. Read and follow all safety instructions and important notices in these instructions as well as on the product itself.
2. This appliance is not intended for use by children or infirm persons without supervision. Young children should be supervised to ensure that they do not play with the appliance.
3. To avoid possible electric shocks, special care should be taken since water is employed in the use of aquarium equipment. For each of the following situations do not attempt repairs yourself. Return the appliance to an authorised service facility for service or discard the appliance.
  - a. If the appliance or any electrical component of the appliance (non-immersible equipment only) falls into the water or gets wet, do not reach for it. Unplug it and then retrieve it.
  - b. If the appliance shows any sign of abnormal water leakage, immediately unplug it from the power source.
  - c. Carefully examine the appliance after installation. It should not be plugged in if there is water on parts which are not intended to be wet.
  - d. Do not operate the appliance if it has a damaged cord or plug, or if it is malfunctioning, or dropped or damaged in any manner.
4. A “drip loop” (see graphic) should be arranged for each cable connecting an aquarium to a power supply. The drip loop is the part of the cable below the level of the power supply. It prevents water travelling down the cable and coming into contact with the power supply. If the plug or the socket does get wet, do not unplug the appliance. Disconnect the fuse or circuit breaker that supplies the power to the appliance, then unplug and examine for presence of water in the socket.
5. Always unplug the appliance from the electrical outlet when not in use, before putting on or taking off parts, before any type of maintenance or cleaning.
6. Never yank the cable to pull it from the socket. Pull the plug carefully to disconnect.
7. Do not use the appliance for reasons other than the intended use. The use of attachments that are not recommended or sold by the manufacturer may cause the product to be unsafe. This is not recommended.

8. Do not install or store the appliance where it will be exposed to weather or temperatures below freezing.
9. Make sure any component mounted on a tank is securely installed before operating it.
10. Ensure input voltage is the same voltage as your local power supply.
11. If an extension cable is used it should have the proper rating. Care should be taken to arrange the cord so that it will not be tripped or pulled.
12. A G.F.C.I (Ground fault circuit interrupter) & surge protector is recommended for all electrical appliances.
13. Ensure your hands are dry when turning the power switch on/off and when inserting/removing the power cable from the socket.
14. If you are in any doubt about the electrical installation or safety of this product you must consult a qualified electrician.
15. This product is intended for indoor use only.



**For Guarantee Conditions, please refer to the Guarantee form that is enclosed with this product.**

All products are supplied with fitted plugs. This plug should not be tampered with in any way or removed. Removal or tampering with the plug invalidates our guarantee offered with this product.

For UK a 3 pin adaptor is supplied with the product and this must be used.

## Before First Use / Preparation

---

Read and follow all the instructions, even if you feel you are familiar with the product and find a place to keep the instructions handy for future reference. Your attention is drawn particularly to the sections concerning “**IMPORTANT SAFEGUARDS**” and the “**GUARANTEE CONDITIONS**”. Please ensure you retain your original purchase receipt in the event that guarantee service is required.

Carefully unpack the aquarium making sure you keep all the packing material until all the parts of the product have been found and the product has been assembled.

This product is shipped to you in a factory sealed carton. Should the product malfunction in any way or if the unit is damaged and requires replacement, contact the retailer where the product was purchased for inspection.

## Set Up Instructions

---

1. Remove all the components from the aquarium.
2. Consider where you are going to place the aquarium. Keep it away from direct sunlight or areas with large temperature fluctuations - such as in front of heaters or air conditioners.
3. Wash aquarium gravel (sold separately). Place a portion of the gravel in a bucket, run water through and churn it over with your hand until the water is running clear. It is important to wash the gravel thoroughly. Repeat this process until all the gravel has been washed.
4. Place washed aquarium gravel over the base of the aquarium.
5. At this stage place plastic plants, decorations and ornaments (sold separately) into the aquarium.
6. Follow the instructions provided with the heater to install it. DO NOT turn the heater on until the aquarium has been filled with water.
7. Fill the aquarium with tap water to approximately 3cm below the glass braces.
8. Use a good quality water conditioner (sold separately) to remove harmful chlorine and heavy metals from the tap water.
9. Follow the instructions provided with the light and filter to install them.
10. It is now time to plug in and turn on the filter and heater.
11. Place the glass lids on top of the aquarium.

# Light Unit Installation

---

## Hints & Tips

No more than 8 hours of light a day and definitely no natural light. Longer light times will accelerate algae growth in the aquarium and has no benefits to plants or fish.

We recommend replacing the fluorescent tube once every twelve months based on the light being used for an 8 hour period daily as the spectrum of light changes and intensity drops over time.

## Step By Step Guide

1. Remove the light unit from the plastic wrapping.
2. Slide the protective cover out from the unit and remove the protective film from both sides of it.
3. Slide the protective cover back into the light unit.
4. Align the holes on the plastic bracket on the light unit (1) and the tank bracket (3). The tank bracket should be on the outside of the light unit.
5. Screw the plastic bolt (2) into the brackets to connect the units. Do not overtighten as this may damage some of the plastic parts.
6. Place the light unit on the sides of the aquarium, ensuring the tank brackets sit firmly over the glass.
7. Tighten the fastening bolts (4) to secure the light unit on the aquarium.
8. Plug the light unit in and turn the switch "on" to ensure the light works.

Refer to diagram on page 7 for parts identification.

## Changing The Tubes

1. Ensure your hands are dry. Turn off the light and remove the plug from the receptacle.
2. Remove the light from the aquarium.
3. Slide the protective cover out.
4. With both hands, turn the tube either clockwise or anti clockwise to remove.
5. Insert the new tube into the tombstones and again, turn either clockwise to lock the tube in place.
6. Plug the light back into the receptacle and turn it on to ensure it works before mounting it back on the aquarium.
7. Place the old tube in the used pack from the new one and dispose of sensibly or mark as used and store it where children cannot touch it.

## Changing The Starter

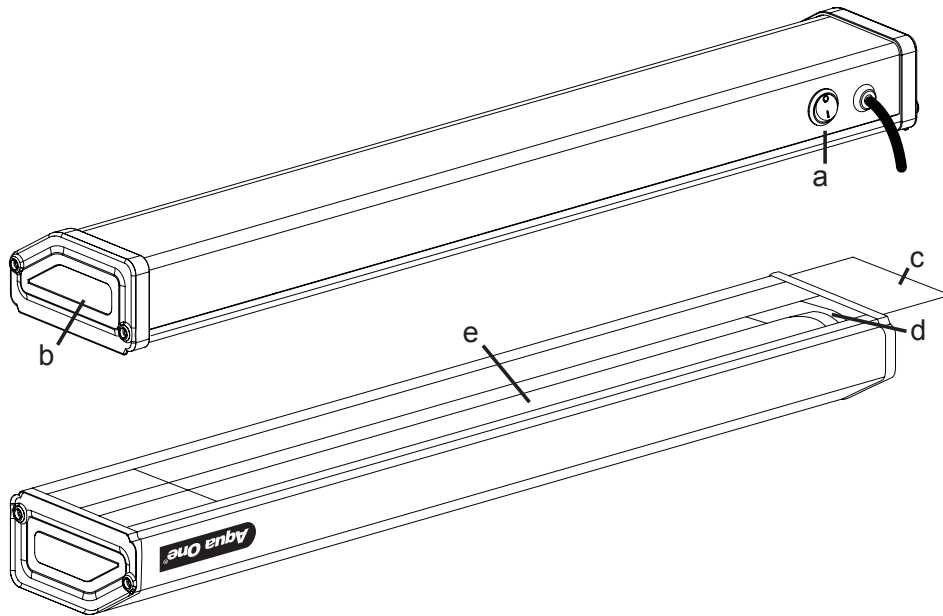
1. Ensure your hands are dry. Turn off the light and remove the plug from the receptacle.
2. Remove the light from the aquarium.
3. Remove the 2 screws from the endcap labelled "starter end".
4. Remove the endcap.
5. turn the starter anti clockwise to secure in place.
6. Insert a new starter and turn it clockwise to secure in place.
7. Place the endcap onto the light unit and secure using the 2 screws.
8. Plug the light unit back into the receptacle and turn it on to ensure it works before mounting it back on the aquarium.

## Troubleshooting

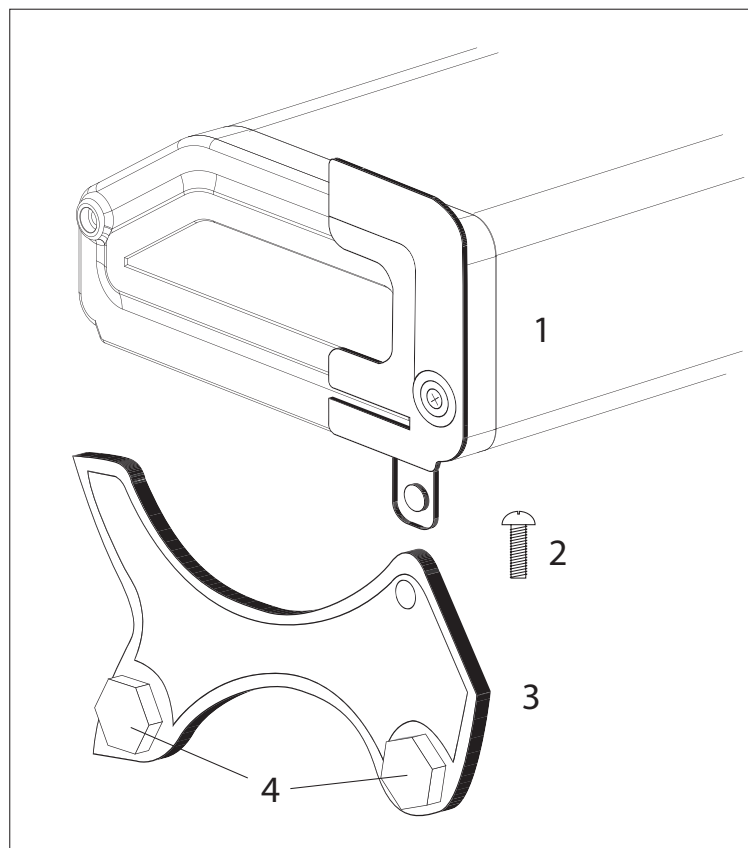
### LIGHT DOES NOT WORK

1. Ensure the plug is inserted correctly and the switch is in the "on" position.
2. The starter or fluorescent tube may require replacing.

# Light Diagrams



- a. Switch
- b. End Cap
- c. Perspex Protective Cover
- d. Tombstone
- e. Fluorescent Tube



- 1. Light Unit
- 2. Plastic Bolt
- 3. Tank Bracket
- 4. Fastening Bolt



# Specifications

---

**Aquarium Model:** Horizon 65  
**Overall Dimensions:** 60 x 30 x 36cm  
**Aquarium Volume:** 65L  
**Glass Thickness:** 5mm

**Heater Wattage:** 100W  
**Light Wattage:** 20W  
**Power Requirements:** 220 ~ 240V  
**Suitable:** Tropical

**Aquarium Model:** Horizon 130  
**Overall Dimensions:** 92 x 36 x 42cm  
**Aquarium Volume:** 130L  
**Glass Thickness:** 6mm

**Heater Wattage:** 150W  
**Light Wattage:** 30W  
**Power Requirements:** 220 ~ 240V  
**Suitable:** Tropical

**Aquarium Model:** Horizon 182  
**Overall Dimensions:** 122 x 36 x 45cm  
**Aquarium Volume:** 182L  
**Glass Thickness:** 6mm

**Heater Wattage:** 200W  
**Light Wattage:** 40W  
**Power Requirements:** 220 ~ 240V  
**Suitable:** Tropical

## Disposal of used Electrical & Electronic Equipment (Applicable in the European Union and other European countries with separate collection systems)



This symbol on the product or on its packaging indicates that the product must not be disposed of with normal household waste. Instead, it is your responsibility to dispose of your waste equipment by arranging to return it to a designated collection point for the recycling of waste electrical and electronic equipment. By separating and recycling your waste equipment at the time of disposal you will help to conserve natural resources and ensure that the equipment is recycled in a manner that protects human health and the environment. For more information about recycling this product, please contact your local city office, your household waste disposal service or the shop where you have purchased the product.