

Chiller

Aqua One®

For models 250 & 400



Instruction Manual

Important Safeguards

This appliance is not intended for use by children or infirm persons without supervision. Young children should be supervised to ensure that they do not play with the appliance.

Warning: To guard against injury, basic safety precautions should be observed, including the following:

1. Read and follow all safety instructions before using this appliance.

2. Danger: To avoid possible electric shocks, special care should be taken since water is employed in the use of aquarium equipment. For each of the following situations do not attempt repairs yourself. Return the appliance to an authorised service facility for service or discard the appliance.

a) If the chiller shows any sign of abnormal water leakage, immediately unplug it from the power source.

b) Carefully examine the chiller after installation. It should not be plugged in when there is water on parts which are not intended to be wet.

c) Do not operate any aquarium electrical appliance if it has a damaged cord or plug, or if it is malfunctioning, or dropped or damaged in any manner.

d) If the external flexible cable or cord of this chiller is damaged, it must be replaced by the manufacturer, its service agent or similarly qualified persons in order to avoid a possible hazard.

A "drip loop" (See the diagram) should be arranged by the user for each cord connecting an aquarium component to a receptacle. The drip loop is the part of the cord below the level of the receptacle or the connector if an extension cord is used. It is used to prevent water traveling along the cord and coming in contact with the receptacle.

If the plug or receptacle does get wet, do not unplug the appliance. Disconnect the fuse or circuit breaker that supplies the power to the appliance, then unplug and examine for presence of water in the receptacle.

3. Close supervision is necessary when the appliance is used by or near children.

4. Always unplug the chiller from the electrical outlet, when not in use, before putting on or taking off parts, before any type of maintenance, or cleaning. Never yank the cord to pull it from the outlet. Grasp the plug and unplug to disconnect.

5. Do not use the chiller for reasons other than the intended use.

The use of attachments that are not recommended or sold by the chiller manufacturer may cause the product to be unsafe. This is not recommended.

6. Do not install or store the chiller where it will be exposed to weather or temperatures below freezing.

7. Make sure any component mounted on a tank is securely installed before operating it.

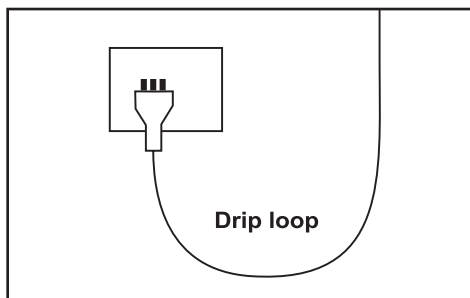
8. Read and observe all the important notices on the chiller.

9. Ensure input voltage is the same voltage as your local power supply.

10. A G.F.C.I (Ground Fault Circuit Interrupter) & surge protector is recommended for all electrical appliances.

11. Ensure your hand is dry when turning the power switch on/off and when inserting/removing the power cord from the receptacle.

12. If you are in any doubt about the electrical installation or safety of this product you must consult a qualified electrician.



For Guarantee Conditions, please refer to the Guarantee form that is enclosed with this product.



Warning:

This appliance must not be disposed of together with domestic waste. It must be disposed of at an authorised centre set up for the recycling of electrical and electronic appliances. By collecting and recycling waste, you help save our natural resources. Please Make sure this product is disposed of in an environmental friendly and safe way.

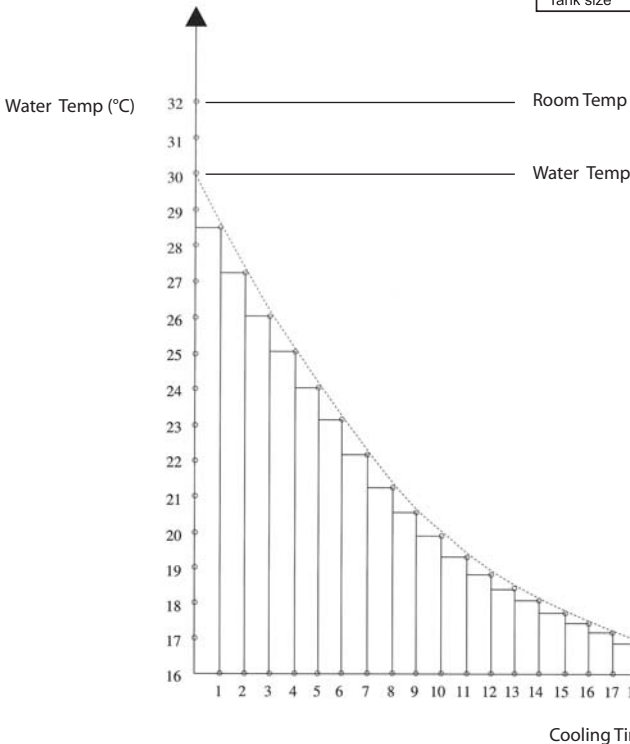
Before First Use / Preparation

Read and follow all the instructions, even if you feel you are familiar with the product and find a place to keep the instructions handy for future reference. Your attention is drawn particularly to the sections concerning **“IMPORTANT SAFEGUARDS”** and the **“AQUA ONE GUARANTEE”**. Please ensure you retain your original purchase receipt in the event that guarantee service is required.

Carefully unpack the chiller making sure you keep all the packing material until all the parts of the product have been found and the product has been assembled.

This product is shipped to you in a factory sealed carton. Should the product malfunction in any way or if the unit is damaged and requires replacement, contact the retailer where the product was purchased for inspection.

Cooling Chart



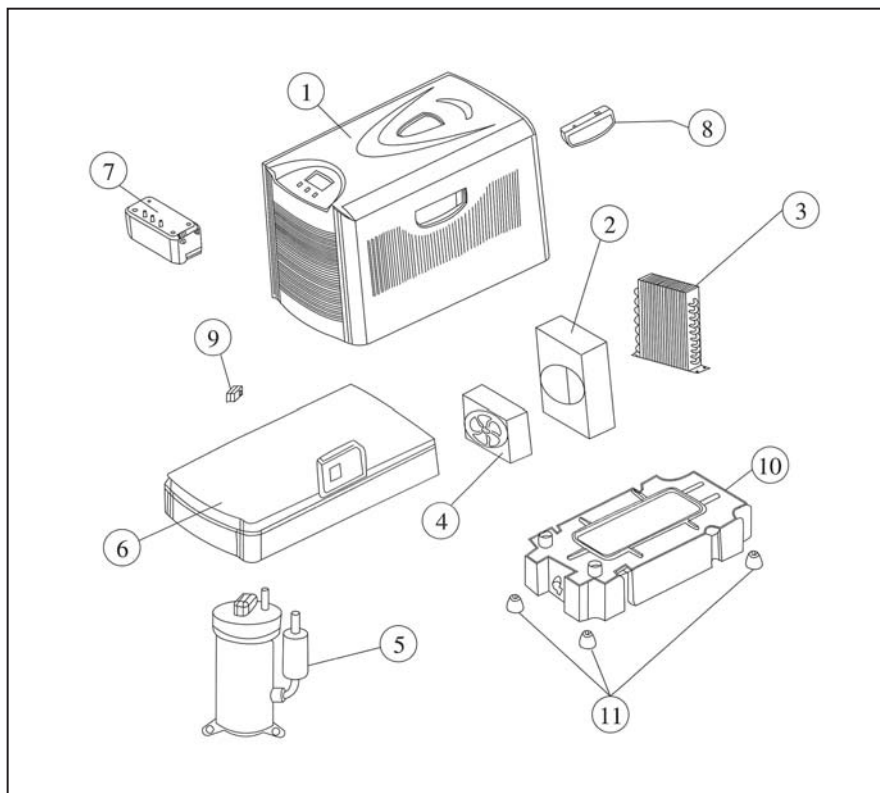
Temperature Recommendations

FISH	OPTIMUM	MAXIMUM TEMP
Goldfish/Koi	15-25°C	29°C
Tropical	25-26°C	29°C
Cichlids	25-26°C	29°C
Discus	27-28°C	30°C
Salt water	25°C	28°C

Specifications

	250	400
Voltage	220-240V	220-240V
Frequency	50Hz	50Hz/60Hz
Wattage	200	360
Current	0.95 amp	1.7 amp
Refrigerate medium	R134a	R134a
Horse Power	¼ hp	½ hp
Refrigerate medium weight	120g	220g
Min. water flow	500L/hr	500L/hr
Max. water flow	2000L/hr	2000L/hr
Weight	11.5 kg	12 kg
Dimensions	40 x 24 x 31 cm	45 x 38 x 34 cm
Inlet	½ & ¾"	¾"
Outlet	½ & ¾"	¾"
Tank size	250 litres	400 litres

Parts & Set Up



1. Main Body

2. Shroud

3. Radiator

4. Fan

5. Compressor

6. Base

7. Thermostat & Control

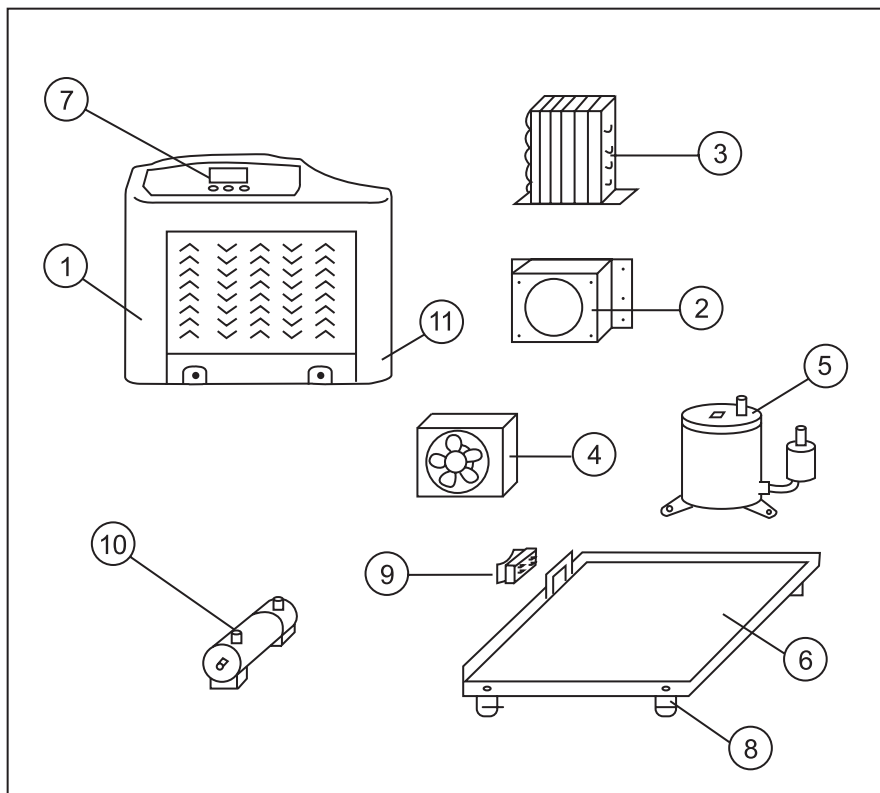
8. Handle

9. On/off Switch & fuse

10. Titanium heat exchanger

11. Rubber feet

Parts & Set Up



1. Main Body

2. Shroud

3. Radiator

4. Fan

5. Compressor

6. Base

7. Thermostat & Control

8. Rubber feet

9. On/off Switch & fuse

10. Titanium heat exchanger

Instructions

1. For the model 250 only, the inlet and outlet fittings need to be attached. It has two different hose sizes that can be fitted $\frac{1}{2}$ " and $\frac{3}{4}$ ". If the larger hose is needed then cut off the $\frac{1}{2}$ " barbed fitting.

2. Place chiller in a well ventilated level area.

3. Attach the tubing to the inlet fitting. Use a hose clamp (250 model) or tighten locking nut over the hose. The water supply to the chiller must be pre-filtered.

4. Attach tubing to the outlet fitting. Use a hose clamp (250 model) or tighten locking nut over hose. The outlet should not be too close to the inlet hose.

5. Turn on the water supply for the chiller. Allow it to run for a couple of minutes before turning the chiller on at the power supply.

6. Plug into the power supply. The model 400 has a separate power cord which needs to connect to the chiller.

7. Check all hoses and connections for any kinks or leaks.

8. Turn the chiller on. There is a switch located on the unit.

9. Set the desired temperature. Press the set button on the chiller then use the up button to raise the temperature or the down button to lower the temperature. Once the display temperature is at the desired level press the set button again.

Note: If installing the chiller on a pre-existing aquarium drop the temperature by $1-2^{\circ}\text{C}$ per day.

If the chiller is switched off, it will take a minimum of three minutes for it to come back on.

It can take up to five minutes for the computer thermostat to adjust to the aquarium temperature prior to turning on.

Notes

It is recommended to clean the chiller once a month. To access the chillers internal parts undo the screws around the base of the chiller. On the 250 model the inlet and outlet fittings will need to be removed to lift off the plastic chiller cover. On the 400 just the hose and locking nuts need to be removed. Make sure there is no water in the hoses when disconnecting.

1. Gently vacuum the radiator to remove all dust and debris.
2. Verify the radiator fan and compressor are free of all dust and debris.

Place the chiller cover back on and screw it back into place. Re-connect all the hoses and clamps. Turn back on at the power supply.

Once a month flush the chiller with clean fresh water. **DO NOT USE ANY SOAP OR DETERGENT.** Connect a hose to the inlet fitting and place the outlet hose into a bucket. Turn the hose on and allow fresh water to flow through the chiller, wait for the bucket to fill then turn off the tap. Re-connect all the hoses and clamps. Turn back on at the power supply.

Note: When doing any maintenance on the chiller, make sure the unit is turned off at the power supply. Do not use water to clean the chiller. Keep dry at all times.

Control panel does not come on

1. Check the chiller is plugged in.
2. Check if the switch is in on position.
3. Unplug the unit. Unscrew the fuse on the chiller and verify that it is not blown. Replace if needed.

The unit is not cooling the water or is not cooling adequately

1. The chiller does not have adequate ventilation.
2. Clean all dust and debris from the radiator.
3. The temperature has been set too high or not set at all.
4. The water flow is too slow or too fast. Water flow must be between 500-2000L/hr.

Too much noise

1. Check the chiller is on a level surface.
2. Remove any item that is in direct contact with the chiller, causing excessive vibration.

Notes

Aqua One - 2 Year Guarantee

ATTENTION!

PLEASE RETAIN YOUR PROOF OF PURCHASE AND GUARANTEE

Congratulations on your purchase of a quality Aqua One product. This product will last you many years under normal usage.

About this Guarantee

The Manufacturer or Distributor, of Aqua One goods, is collectively known herein as "Aqua One". Please refer to contact details for Aqua One below or on the applicable Aqua One website. Any product that is covered by its own Guarantee (as enclosed with the product) is subject to the conditions of that Guarantee.

The benefits given to the purchaser, under Guarantee, are in addition to all other statutory rights and remedies which the purchaser has in respect of goods under legislation in the applicable country of purchase. This Guarantee shall not affect any such rights and should be read subject to such legislation.

1.0. Terms and Conditions of Guarantee.

- 1.1. Aqua One warrants to the purchaser, for 2 Years from date of original purchase, to repair or replace goods where fault is found due to defective materials or faulty workmanship and where goods do not operate in accordance with the instructions.
- 1.2. All claims for repair or replacement must be made at place of purchase.
- 1.3. The original and dated Proof of Purchase (receipt) must be supplied with all goods claims. Please also provide this Guarantee where possible.
- 1.4. All goods subject to claim under Guarantee should be prepared for transportation in the original packaging or other comparable packaging which offers the same degree of protection.
- 1.5. Where goods are repaired or replaced under Guarantee, these goods are Guaranteed for the remainder of either the original Guarantee or Extended Guarantee period.
- 1.6. Where claims on inspection reveal goods are in normal working order, Aqua One will request reimbursement of all reasonable costs incurred.

2.0. Exclusions and Limitations

Where permitted by local law, the following exclusions and limitations apply in regard to the Guarantee:

- 2.1. Goods claims where fault is due to, but not limited by a) misuse b) neglect c) abuse d) fire or flood e) normal wear and tear f) accidental breakage g) Acts of God h) mains voltage fluctuation or supply problems i) connection to any voltage other than what is stated on the rating plate j) modification or tampering to electrical cord or plug, k) vermin, insects or foreign object l) liquid spillage or submersion of goods where goods are not designed to sustain such use or duress.
 - 2.2. Where inspections reveal goods are in normal working order including where noise or vibration is consistent with normal goods operation.
 - 2.3. Attempted repairs or modifications by unauthorised persons, including but not limited to modifications to the electrical lead or plug.
 - 2.4. Where the goods factory rating plate has been removed, altered, damaged or is rendered illegible.
 - 2.5. Where goods are not installed, operated or maintained in accordance with Aqua One's goods instructions, specifications or this Guarantee.
 - 2.6. Replacement or repair of worn consumables or replacement of lost goods, parts or components.
 - 2.7. Costs associated with goods transportation, removal, installation, postage or cost of insurance.
 - 2.8. Any damage incurred whilst installing, transporting or moving the goods.
 - 2.9. Subject to certain local statutory rights and obligations to the contrary, and this guarantee shall not affect those rights or obligations, where, to the full extent permitted by law:
 1. all express and implied warranties and conditions under statute or general law, are expressly excluded and Aqua One, where permitted, will limit liability as follows and at Aqua One's option to: in regard to goods either a) the replacement of goods or supply of equivalent goods b) the repair of goods or the cost of replacing the goods or of acquiring equivalent goods OR in regard to services either c) the re-supply of services d) the cost to re-supply services.
 2. Aqua One will not be liable for any loss or damage, including consequential loss or damage either directly or indirectly, or for any incidental expenses, of any kind, and in any way whatsoever.
- (1) Consumables include items such as plastic fittings, hoses and any other supplied accessory.

Aqua One may be contacted in:

Australia
Kong's (Aust.) Pty. Limited
PO Box 863, Ingleburn
1890 NSW Australia
www.aquaone.com.au

Hong Kong
Kong's Aquarium Supplies Co., Ltd
No 31, 3/F Thriving Industrial Centre
26-38 Sha Tsui Road, Tsuen Wan
Hong Kong
www.aquaone.co.hk

New Zealand
Kong's (NZ) Limited
PO Box 15 - 183, Tauranga
3015 New Zealand
www.aquaone.co.nz

United Kingdom
Kong's (UK) Limited
C/O Aqua Pacific UK Ltd
PO Box 268
Romsey Hampshire, SO51 0WW
United Kingdom
www.aquaone.co.uk