

**AquaMarine 900**

**Aqua One<sup>®</sup>**

**MariSys 240**

**Advance**  
Technically Superior



Complete step by step instruction booklet

# Important Safeguards

**This appliance is not intended for use by children or infirm persons without supervision. Young children should be supervised to ensure that they do not play with the appliance.**

**Warning: To guard against injury, basic safety precautions should be observed, including the following:**

1. Read and follow all safety instructions before using this appliance.

2. Danger: To avoid possible electric shocks, special care should be taken since water is employed in the use of aquarium equipment. For each of the following situations do not attempt repairs yourself. Return the appliance to an authorised service facility for service or discard the appliance.

a) If the light falls into water, do not reach for it, unplug it and then retrieve it. If the electrical components of the appliance get wet, unplug the appliance immediately (non immersible equipment only).

b) If the aquarium shows any sign of abnormal water leakage, immediately unplug it from the power source.

c) Carefully examine the aquarium after installation. It should not be plugged in when there is water on parts which are not intended to be wet.

d) Do not operate any aquarium electrical appliance if it has a damaged cord or plug, or if it is malfunctioning, or dropped or damaged in any manner.

A "drip loop" (See the diagram) should be arranged by the user for each cord connecting an aquarium component to a receptacle. The drip loop is the part of the cord below the level of the receptacle or the connector if an extension cord is used. It is used to prevent water traveling along the cord and coming in contact with the receptacle.

If the plug or receptacle does get wet, do not unplug the appliance. Disconnect the fuse or circuit breaker that supplies the power to the appliance, then unplug and examine for presence of water in the receptacle.

3. Close supervision is necessary when the appliance is used by or near children.

4. Always unplug the aquarium from the electrical outlet, when not in use, before putting on or taking off parts, before any type of maintenance, or cleaning. Never yank the cord to pull it from the outlet. Grasp the plug and unplug to disconnect.

5. Do not use the aquarium for reasons other than the intended use. The use of attachments that are not recommended or sold by the aquarium manufacturer may cause the product to be unsafe. This is not recommended.

6. Do not install or store the aquarium where it will be exposed to weather or temperatures below freezing.

7. Make sure any component mounted on a tank is securely installed before operating it.

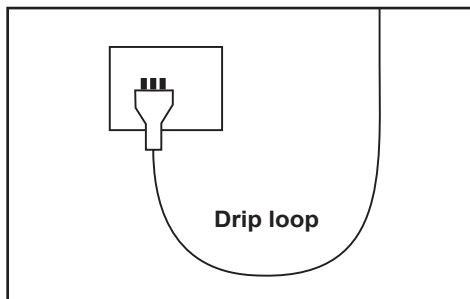
8. Read and observe all the important notices on the aquarium.

9. Ensure input voltage is the same voltage as your local power supply.

10. A G.F.C.I (Ground Fault Circuit Interrupter) & surge protector is recommended for all electrical appliances. (Light unit only)

11. Ensure your hand is dry when turning the power switch on/off and when inserting/removing the power cord from the receptacle.

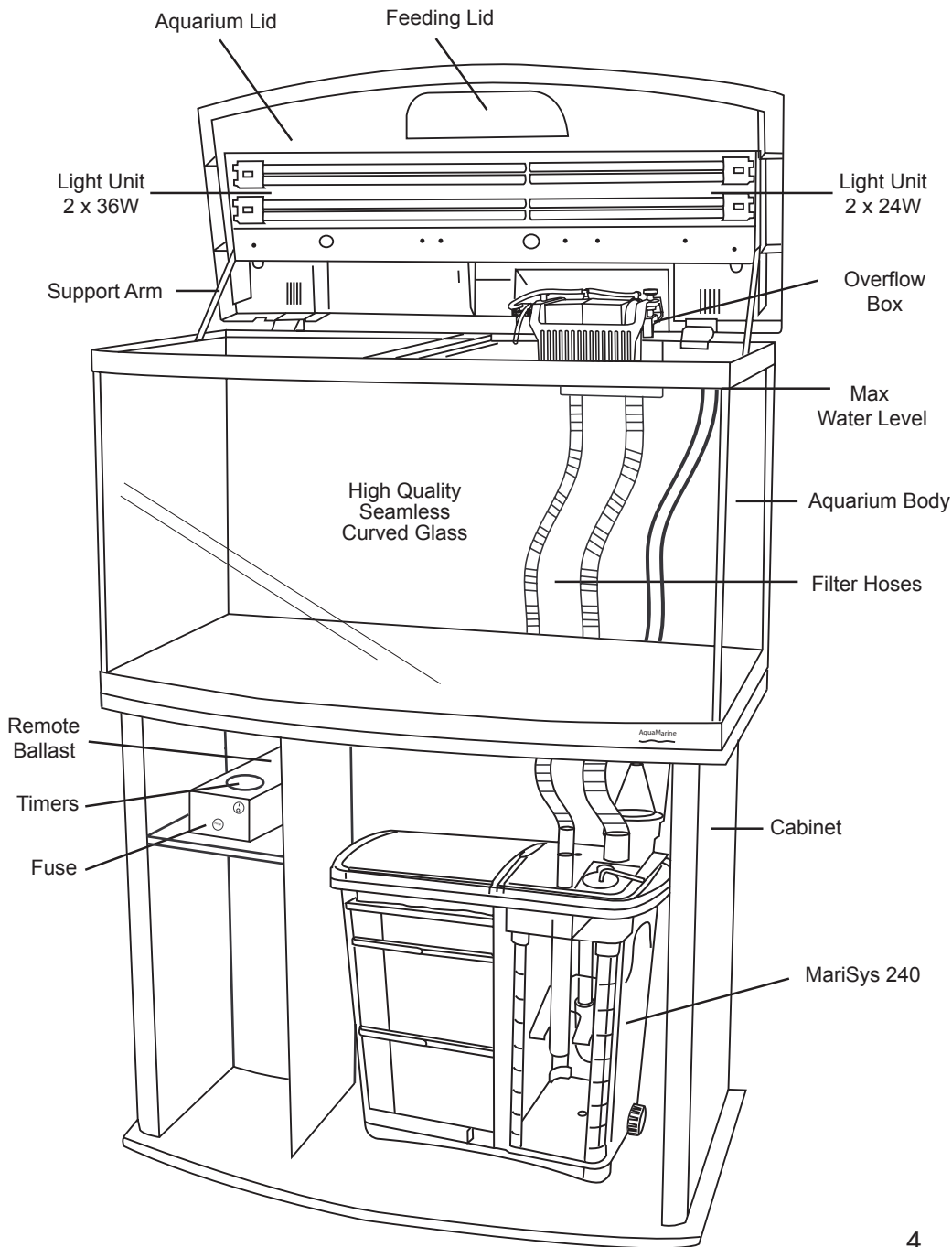
12. If you are in any doubt about the electrical installation or safety of this product you must consult a qualified electrician.



**For Guarantee Conditions, please refer to the Guarantee form that is enclosed with this product.**



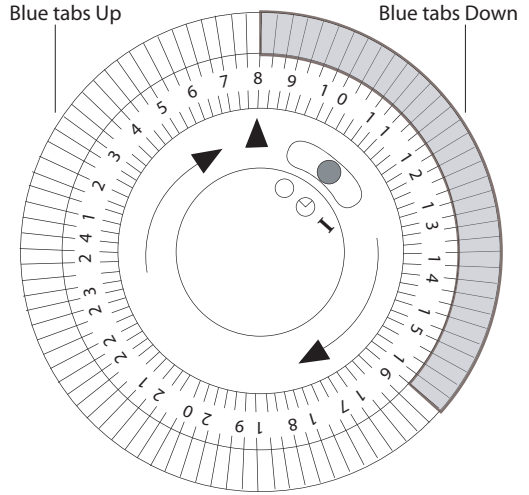
# Know Your Aquarium, Filter & Light



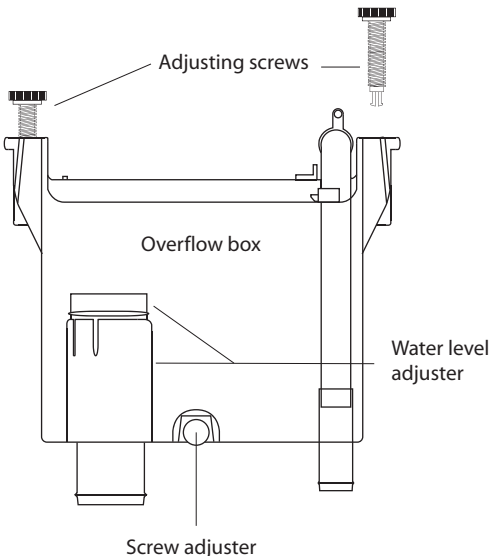
# Setting Up Your Filter & Light Unit

## Setting the Timer

1. Turn the main power supply switch "off". It is located on the side panel of the remote ballast unit above the power cord.
2. Move the red switch on the timer to "light on timer off" position.
3. The timer is set in 24hr time. Set the time by turning the blue dial till the correct hour lines up with the indication arrow.
4. Lift all of the blue tabs.
5. At the hour you wish the light to turn on, and the hour you wish the light to turn off push the blue tabs down.
5. Push all tabs down in between. For example if you wish the light to turn on at 8:00am in the morning and turn off at 4:00pm, have all tabs between 8 and 16 inclusive, pushed down.
6. Move the switch to the "timer on" position and ensure the light switches are in the "on" position at the top of the aquarium lid and the main power supply switch is in the "on" position.
7. Repeat this process for the second light.



- Lights off / Timer off
- 🕒 Timer on
- I Lights on / Timer off
- ▲ Indication Arrow



## Setting the Water Level

1. It is important to turn the screw adjuster on the overflow box all the way in so it will clear the rim of the aquarium.
2. Once the overflow box is in position set the screw adjuster so that the box is level.
3. Remove both adjusting screws. This will allow the rear access lid to sit flush.
4. Set the water level adjuster so that only one rib is viewable from behind.
5. This will set the ideal water level for the AquaMarine 900. If you would like further instruction on adjusting the water level refer the MariSys instruction booklet.

# Aquarium Set Up Instructions

---

## Aquarium Set-up

1. Setup aquarium cabinet as per supplied instructions and place in desired location. Some important things to remember:

a. Keep the aquarium away from direct sunlight, areas that may have large temperature fluctuations or high traffic.

b. The floor underneath the aquarium must be able to support a minimum weight of 400kg.

c. Leave adequate room between the aquarium and the wall to allow the overflow box and priming pump to be placed on the back of the aquarium 10-15cm.

2. Open aquarium lid and fold back support arms; they lock into place at either end of the clear plastic light cover.

3. Setup your MariSys 240 as per in closed instruction manual. It is important to turn the screw adjuster on the overflow box all the way in so it will clear the rim of the aquarium.

4. Sit the remote ballast unit on the shelf inside the cabinet. The opposite side to the MariSys.

5. Feed the 2 cords from the light unit into the back of the cabinet through the holes provided.

6. Plug them into the remote ballast. Ensure they are inserted firmly.

7. Arrange a "drip loop" (p2) and plug the power cord from the remote ballast into a receptacle, turn on and ensure all 4 lights are working and set the timers. (p5)

8. Once the filter unit is in place and you have set up the light system wash hands and arms. It is very important to remove any dirt, moisturizer and any other impurities. Do this whenever you work on the aquarium.

Please use the following instructions as a guide to set up your new AquaMarine aquarium. Seek specialist advice from your supplying retailer as different marine environments require specific conditions.

9. The AquaMarine 900 holds approximately 175L of water. It will require approximately 6kg of synthetic sea salt to start the aquarium.

Aqua One AquaSalt is a synthetic salt (sold separately) available in an 8kg bucket which will be enough salt to start the aquarium and approximately 1 water change.

10. Install your Aqua One 200 Watt Heater. Set it at 25°C. Remember to place it in an area which will receive good water flow and where it will not come into contact with anything else in the aquarium. Refer to the instruction sheet which is supplied with the heater for correct setup.

11. Fill the aquarium with tap water approximately 5cm below the maximum water level indicator (p4) and de-chlorinate it using Aqua One water conditioner. (Sold separately)

12. Add the salt and wait until it has settled slightly then start the filter and turn the heater on. Fill the aquarium to the maximum water level (p4) Refer to the MariSys instructions "starting the filter" on p9. It is important to follow these instructions step by step.

13. Point the duck bill on the outlet of the overflow box down towards the bottom of the tank in order to dissolve the salt quicker.

14. Once the water has cleared and the temperature of the water has reached 25°C, use an Aqua One Hydrometer / Thermometer (sold separately) to check the specific gravity and temperature of the water. Consult your supplying retailer on the correct specific gravity for the marine environment you wish to create. 1.022 at 25°C is a good starting point. If the specific gravity is too high remove some water from the aquarium and top it up with de-chlorinated tap water. If it is too low add more synthetic salt.

15. Wash aquarium substrate. You will only require a thin layer of approximately 1.5cm spread evenly across the base of the aquarium.

16. Place a portion of substrate into a bucket.



# Tank Maintenance

---

DAILY: Feed your fish as per instructions on your fish food container.

Check fish ensure they are eating, breathing and swimming normally.

Check temperature.

Count fish numbers.

Check coral or other invertebrates for signs of colour fade or slime build up.

Ensure all filters, pumps, heaters and other aquarium accessories are functioning correctly.

WEEKLY: Test pH, ammonia, nitrite, nitrate, phosphate kH and specific gravity and record it in your log book (sold separately). If you are keeping coral or other sensitive marine animals you may wish to perform further testing. Seek advice from your marine aquarium specialist.

Use quality test kits, Aqua One have a range of ProDrop test kits (sold separately) which will allow you to easily and accurately monitor your water quality.

Some species require specific water conditions please seek advice from your marine aquarium specialist.

FORTNIGHTLY: 25% Water Change

What you will need: A bucket, gravel cleaner, towel, algae scraper, water conditioner, filter supplement and either synthetic salt or pre mixed water. All items are available from your local Aqua One retailer.

1. Wash your hands and arms.

2. Make up your salt water. Follow instructions on your synthetic salt packaging, or have your premixed drums ready for use.

3. Check the pH, temperature and specific gravity of both your tank water and the new water. Make any adjustments which need to be made to the new water. You may wish to purchase a second heater to warm the new water.

4. Once the water is ready for use open aquarium lid and fold back support arms; they lock into place at either end of the clear plastic light cover and remove the glass lids.

5. Turn the MariSys off.

6. The fish and coral do not need to be removed when doing any maintenance.

7. Place the towel on the floor in front of the aquarium to guard from water spillage.

8. Use an algae scraper (sold separately) and gently scrape away any algae growing on the glass or filter pipes.

9. Using a gravel cleaner\* (sold separately) empty approximately 25% of the aquarium water into the bucket. Take note of how much water is emptied.

10. Fill the aquarium up slowly to the level indicated on page 4.

11. Turn the MariSys back on and ensure that water is flowing from the outlet.

12. Check the water level in the MariSys.

13. Leave the aquarium for a short period of time to allow it to settle, then test pH specific gravity and temperature.

14. Clean glass lids prior to placing them back on the aquarium.

15. Add liquid supplements if required and remember to turn your protein skimmer off and remove carbon from the MariSys. Follow instructions on supplements bottle for recommended times to leave the skimmer off and carbon out of the system.

16. Replace glass lids and close aquarium lid. Check your fish and coral.

\* Refer to the instructions on the back of your gravel cleaner to ensure correct use.



# Introduction of Fish

Note: This is only a guide! You should seek professional advice from your local marine specialist at the time of purchase.

## DO NOT ADD ALL FISH AT ONCE!

Build stock levels slowly over time. Add a filter supplement to help the biological system cope with the additional waste.

Do not over crowd. Remember all fish will grow, so allow them adequate space.

## Trouble Shooting

If you are in any doubt about the electrical installation or safety of this product you must consult a qualified electrician.

### LIGHT UNIT DOES NOT WORK

1. Ensure switches are in the "on" position on the top of the aquarium lid.
2. Check remote ballast is plugged into power supply and the switch is on.
3. Ensure the switch on the remote ballast is in the "on" position.
4. Check the timers on the remote ballast have been set up correctly. Refer to page 5 of this instruction booklet.
5. TURN POWER OFF FIRST to the remote ballast. Remove power cord from the receptacle. Remove the fuse and check, replace if needed.
6. Check the globes are in good condition. Replace if needed.
7. TURN POWER OFF FIRST! Check the plugs from the light unit into the remote ballast.

### AQUARIUM POSSIBLY LEAKING

1. Make sure water level in the aquarium is not too high refer to page 4.
2. If an air stone is being used check it is not bubbling water over the rim of the aquarium if so turn the air pump down or move the airstone from the edge of the aquarium.
3. Make sure the aquarium is sitting on a level surface.
4. Remove any salt creep as it can drain water from the aquarium.
5. Ensure glass lids are in correct position.

6a. Open the aquarium lid and turn the filter off. Mark the water level. Remove any excess water that may be sitting on the edge of the aquarium. Leave for an hour. If water level drops proceed to step 6b.

6b. Remove the fish, decorations and gravel. Empty the aquarium and clean the glass  
**DO NOT WASH IN SOAP OR DETERGENT.**

Place a piece of newspaper on a flat level concrete surface. Carefully fill the aquarium ensuring not to spill any water on to the newspaper. Leave the aquarium for several hours and then inspect the newspaper for wet patches.

Refer to the MariSys instruction manual if you are having trouble with the filter unit.

**Aquarium Model:** AquaMarine 900  
**Dimensions:** 90 x 41 x 48cm (6mm glass)  
**Aquarium Volume:** 175L  
**Light Wattage:** 2 x 36W 2 x 24W  
**Power Requirements:** 220 ~ 240V  
**Suitable:** Marine

Precision Manufactured in the P.R.C.  
Designed in Australia by Aqua One  
Distributed in Australia by:  
**Kong's (Aust.) Pty. Limited**  
48 Williamson Rd. Ingleburn.  
2565 NSW Australia.

Distributed in New Zealand by:  
**Kong's (NZ) Limited**  
52 Glenlyon Avenue. Greerton.  
Tauranga New Zealand.

Distributed in Hong Kong by:  
**Kong's Aquarium Supplies Co., Ltd**  
No 31, 3/F Thriving Industrial Centre  
26-38 Sha Tsui Road, Tsuen Wan,  
Hong Kong.

Distributed in the UK by:  
**Kong's (UK) Limited,**  
C/O Aqua Pacific UK Ltd.  
PO Box 268  
Romsey Hampshire  
SO51 0WW  
United Kingdom.



**Aqua One®**

**www.aquaone.com.au**

© Aqua One and Kong's are registered trademarks.

# Aquarium Log

## Aquarium Specialist

Name: .....

Phone Number: .....

Address: .....

Contact: .....

### Tank Information

AquaMarine900

Aquarium / Model / Size (cm) 90 x 41 x 48cm

Volume 175L .....

Aquarium Location .....

Date the tank was set up .....

Date first fish was introduced .....

Gravel / Substrate .....

### Filtration Information

Filter Type / Flow Rate / MariSys 240 / 960L/hr

Filter Media

Biological / Mechanical / Chemical

Date Nitrogen Cycle started .....

Date Nitrogen Cycle finished (NO<sup>2</sup>) 0ppm  
.....

### Lighting Information

Lighting / Type PL .....

Number of tubes / Wattage 2 x 24W / 2 x 36W

Brand of tube and spectrum .....

Date purchased (tubes) .....

### Heater Information

Brand / Model Aqua One Glass Heater

Wattage 200W .....

### Other Tank Accessories

Power Heads / Brand / Flow rate .....

Chiller / Brand / Size (hp) .....

Protein Skimmer / Brand / Size

MariSys 240 / Air operated Skimmer

Air Pumps / Brand / Output .....

AquaOne Stellar 200D / 2 x 100L/hr

Ultraviolet Sterilizer / Brand / Size  
.....

Ozonizer / Brand .....



