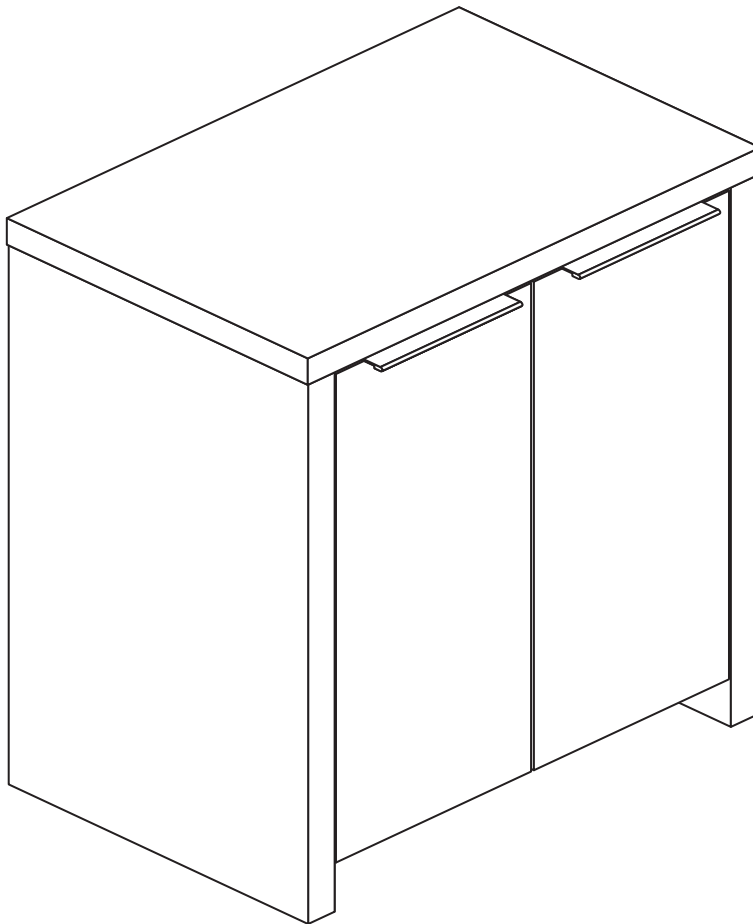


# Assembly Instructions

Please keep for future reference



## Inspire 60 Mk2



Version 1 : 21/07/2020

Important - Please read these instructions fully before starting assembly

ALR3663

# Safety and Care Advice

## Important - Please read these instructions fully before starting assembly

- Warning: This unit weighs approximately 16kgs. Please lift with care.
- Check you have all the components and tools listed.
- Remove all fittings from the plastic bags and separate them into their groups.
- Keep children and animals away from the work area, small parts could choke if swallowed.
- Parts of the assembly will be easier with 2 people.
- Make sure you have enough space to layout the parts before starting.
- Assemble the item as close to its final position (in the same room) as possible.
- Assemble on a soft level surface to avoid damaging the unit or your floor (use opened out unit carton).
- We do not recommend the use of power drill/drivers for inserting screws, as this could damage the unit. Only use hand screwdrivers.
- **Safety note:** It is recommended that this unit is secured to a wall using the overbalance protector kit supplied or, an alternative fixing method of your choice.
- Dispose of all packaging carefully and responsibly.



## Care and maintenance

- Only clean using a damp cloth and mild detergent, do not use bleach or abrasive cleaners.
- From time to time check that there are no loose screws on this unit.
- This product should not be discarded with household waste. Take to your local authority waste disposal centre.

## Contact Us

Aqua Pacific UK Ltd.  
Unit 10, Oriana Way  
Nursling Industrial Estate  
Southampton  
SO16 0YU

Tel +44 (0) 2380 734000  
Fax +44 (0) 2380 740200  
Sales@aquapacific.co.uk

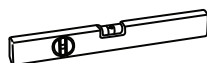
### Tools



Rule



Scissors



Spirit level



Cross-head screwdriver



Flat-head screwdriver



Hammer



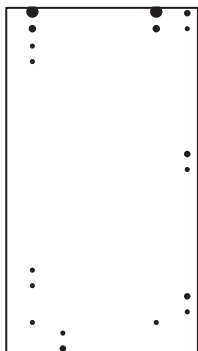
Eye protection  
(when using a hammer or drill)



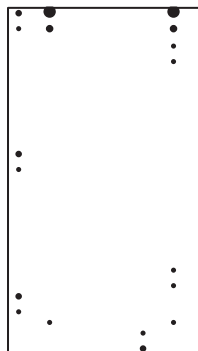
Electric drill  
(do not use for fitting screws)

# Panels & Fittings

Please check you have all the panels and fittings listed below



**1** Left Side (DF-00021089)  
(715 x 396mm)



**2** Right Side (DF-00021090)  
(715 x 396mm)



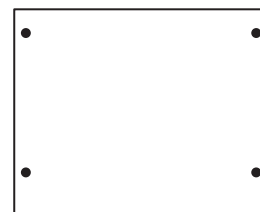
**3** Top (D2941\_01)  
(598 x 398mm)



**4** Base (D2942\_01)  
(524 x 347mm)



**5** Rail (D2943\_01)  
(524 x 57mm) x 2



**6** Back (D2945\_01)  
(524 x 424mm)



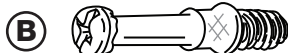
**7** Left Door (DF-00020965)  
(646 x 258mm)



**8** Right Door (DF-00020966)  
(646 x 258mm)



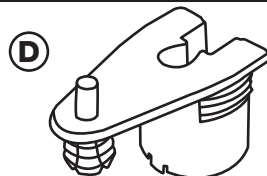
Wooden Dowel (F22) x 8



Large Metal Dowel (F901) x 12



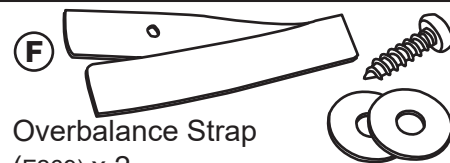
Small Metal Dowel (F893) x 4



Hollow Core  
Locking Nut  
(F892) x 4



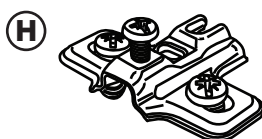
Large Locking  
Nut (F900) x 12



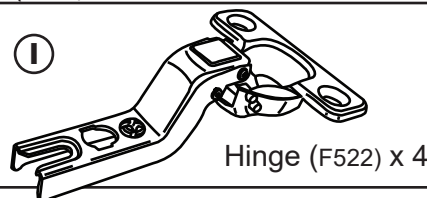
Overbalance Strap  
(F269) x 2



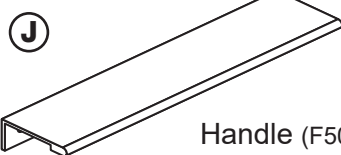
13mm Screw (F63) x 12



Hinge Plate  
(F523) x 4



Hinge (F522) x 4



Handle (F503) x 2

## Step 1

### Prepare the Left Side

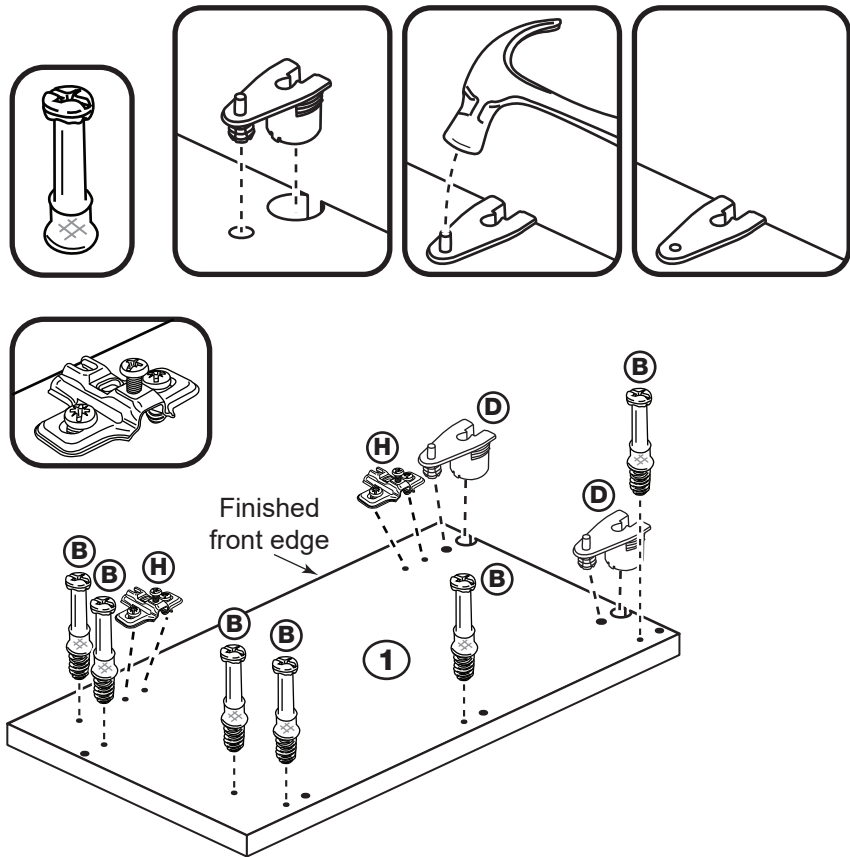
Screw 6 Large Metal Dowels into the Left Side.

Push 2 Hollow Core Locking Nuts into the Left Side, making sure that they are flush against the panel's surface.

Using a hammer, tap in the pin on the Hollow Core Locking Nut.

The pin should be tapped in flush with the top surface of the Hollow Core Locking Nut.

Fit 2 Hinge Plates onto the Left Side, making sure that the slot is facing towards the finished front edge.



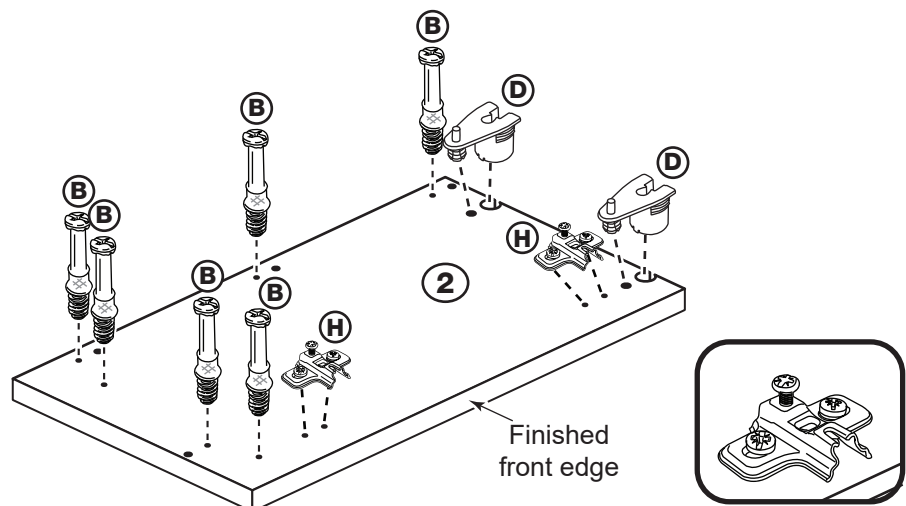
## Step 2

### Prepare the Right Side

Screw 6 Large Metal Dowels into the Right Side.

Push 2 Hollow Core Locking Nuts into the Right Side.

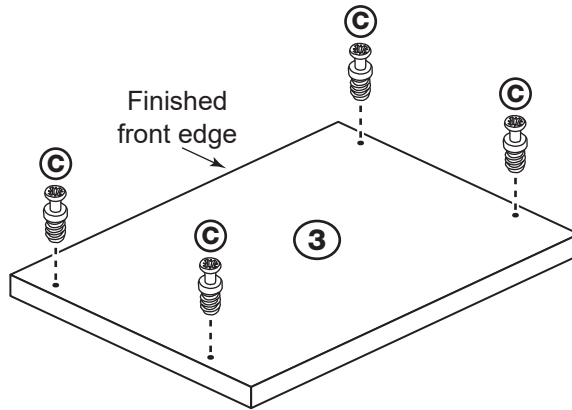
Fit 2 Hinge Plates onto the Right Side, making sure that the slot is facing towards the finished front edge.



### Step 3

#### Prepare the Top

Screw 4 Small Metal Dowels into the Top.

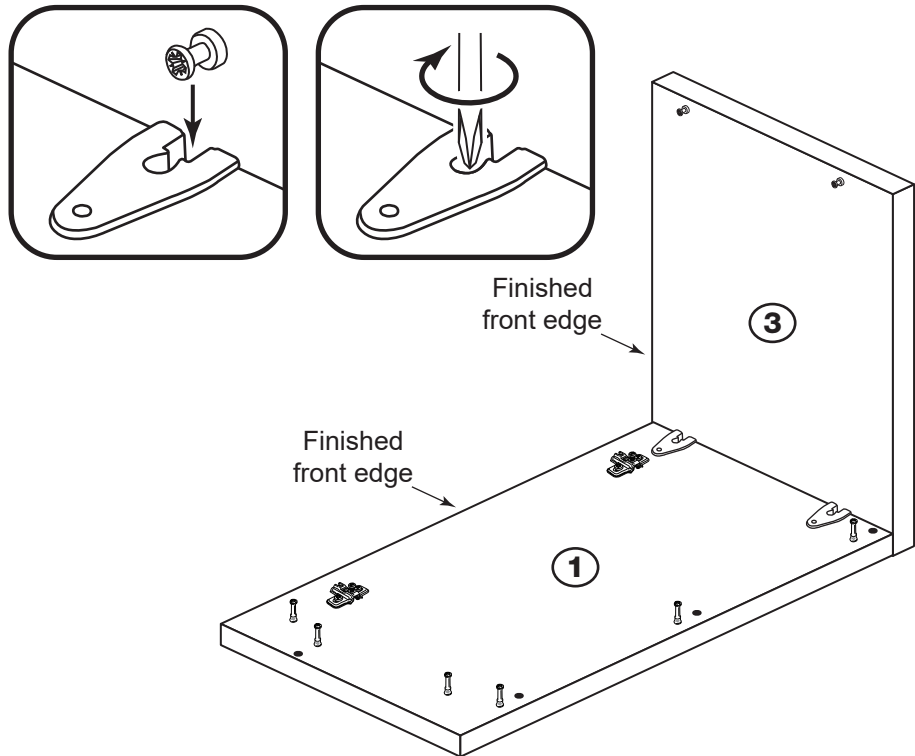


### Step 4

#### Join the Top to the Left Side

Slide the Small Metal Dowels fitted to the Top into the Hollow Core Locking Nuts fitted to the Left Side.

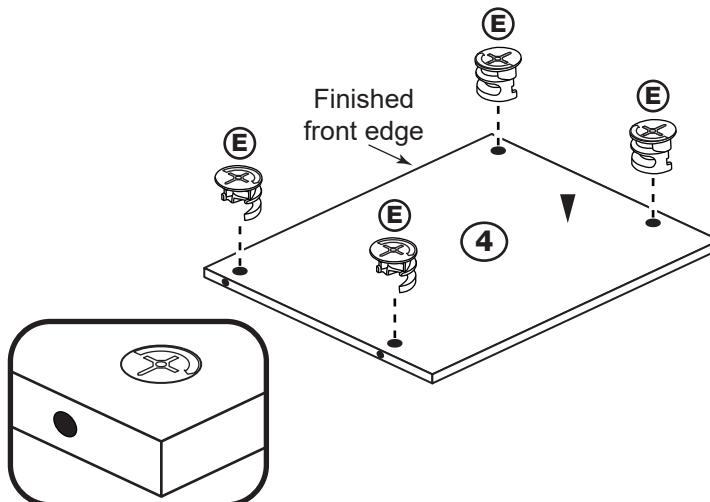
Insert a screwdriver into the 2 Hollow Core Locking Nuts and turn the nuts inside as far as they will go.



### Step 5

#### Prepare the Base

Insert 4 Large Locking Nuts into the Base.



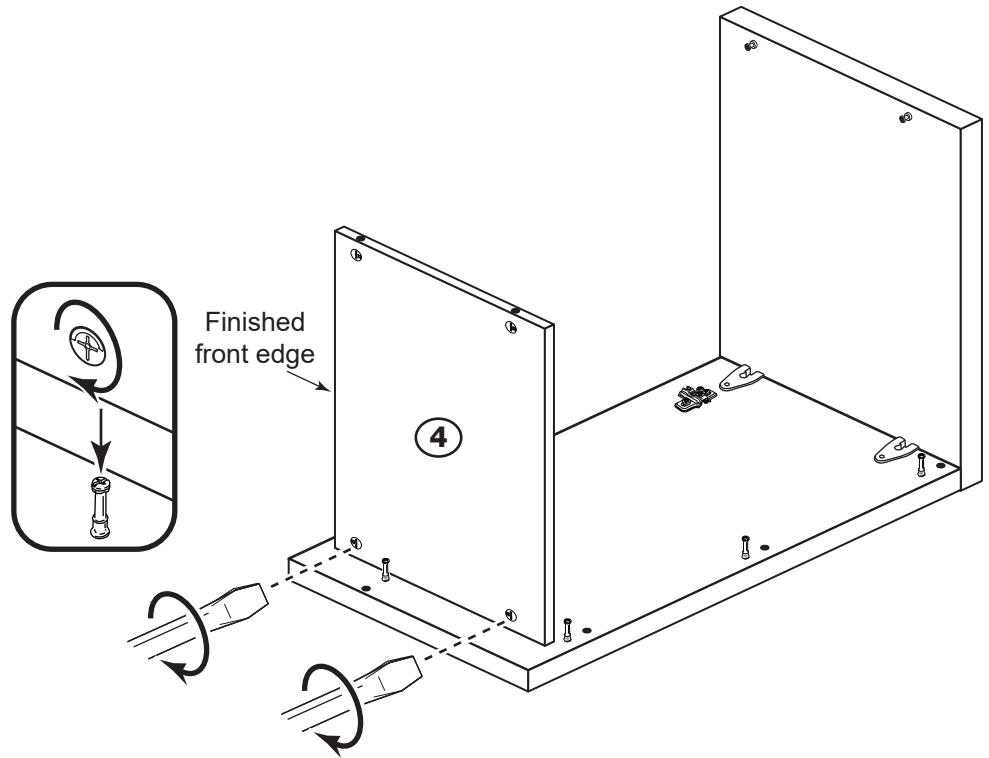
## Step 6

### Fit the Base to the Left Side

Push the Base down onto the Left Side.

Use a screwdriver to tighten the 2 Large Locking Nuts fitted to the Base.

Turn the Large Locking Nuts as far as they will go - more than 1/2 a turn.

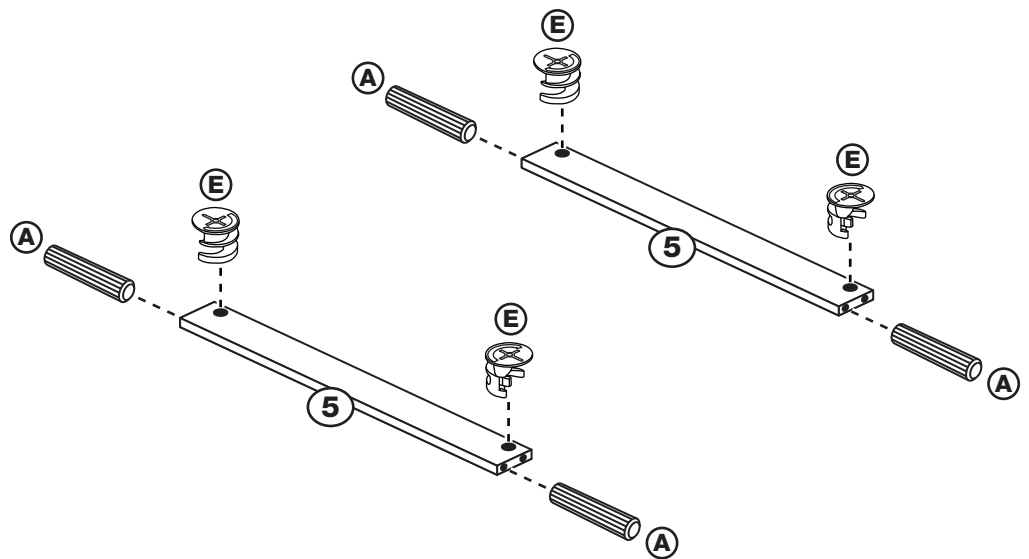


## Step 7

### Prepare the 2 Rails

Insert 2 Large Locking Nuts into each of the 2 Rails.

Tap 2 Wooden Dowels into each of the 2 Rails.

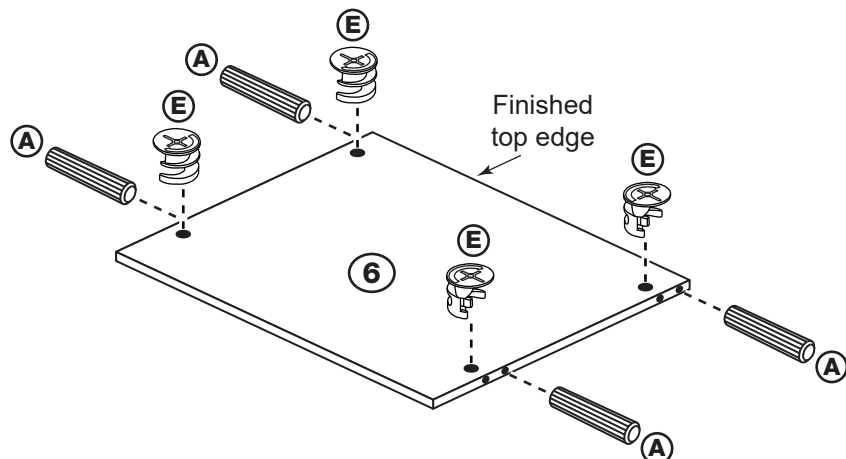


## Step 8

### Prepare the Back

Insert 4 Large Locking Nuts into the Back.

Tap 4 Wooden Dowels into the Back.

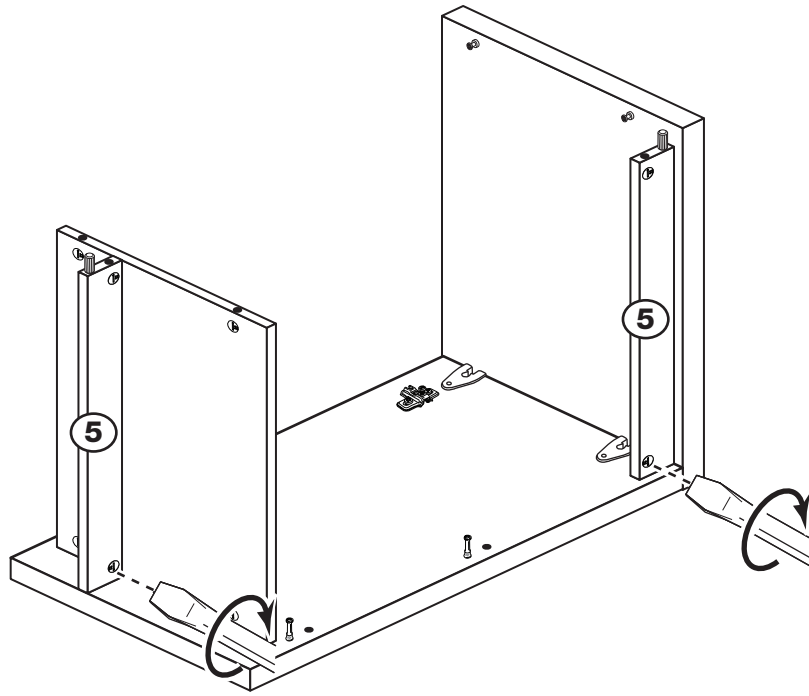


## Step 9

### Fit the 2 Rails

Push the 2 Rails down onto the Left Side.

Use a screwdriver to tighten the 2 Large Locking Nuts fitted to the Rails.

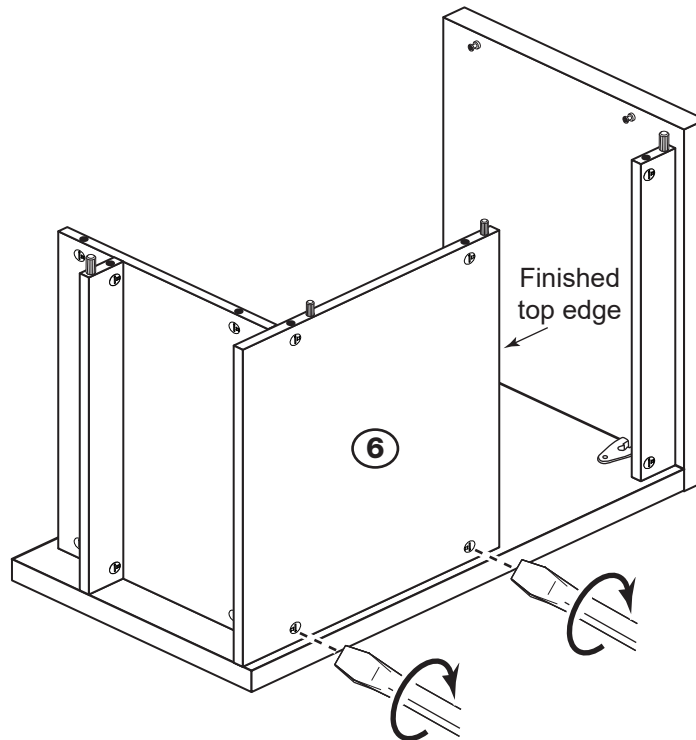


## Step 10

### Fit the Back

Push the Back down onto the Left Side.

Use a screwdriver to tighten the 2 Large Locking Nuts fitted to the Back.



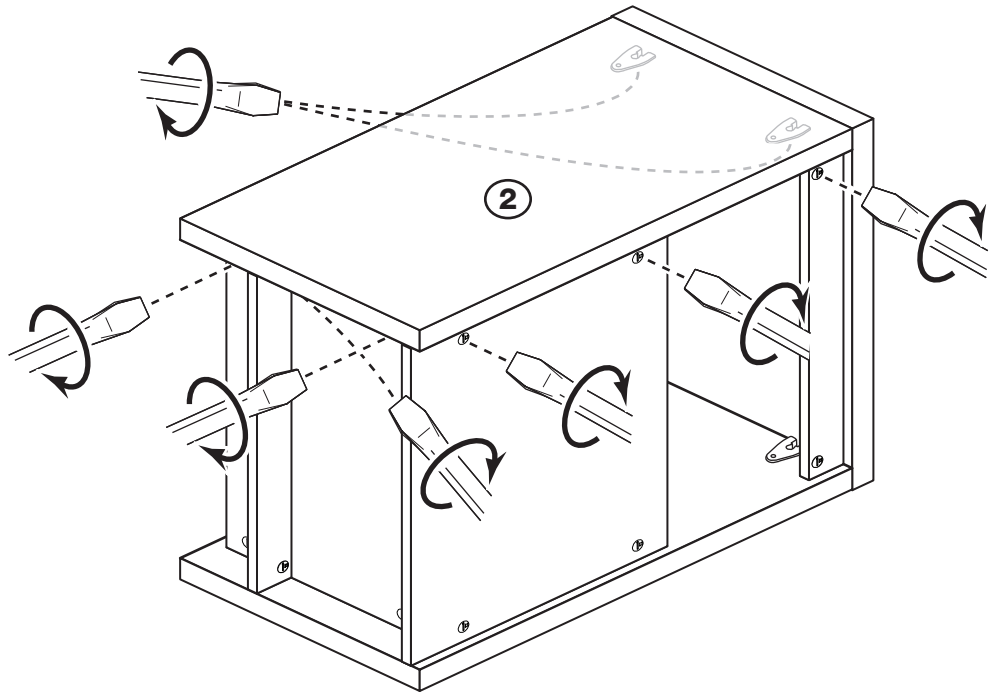
## Step 11

### Fit the Right Side

Push the Right Side down onto the assembly.

Use a screwdriver to tighten the 6 Large Locking Nuts fitted to the Base, the 2 Rails, and the Back.

Insert a screwdriver into the 2 Hollow Core Locking Nuts and turn the nuts inside as far as they will go.

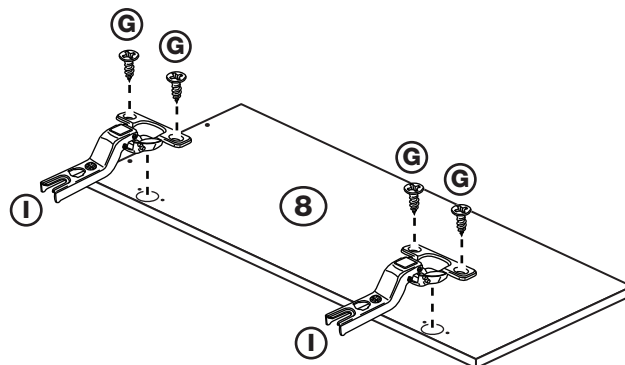
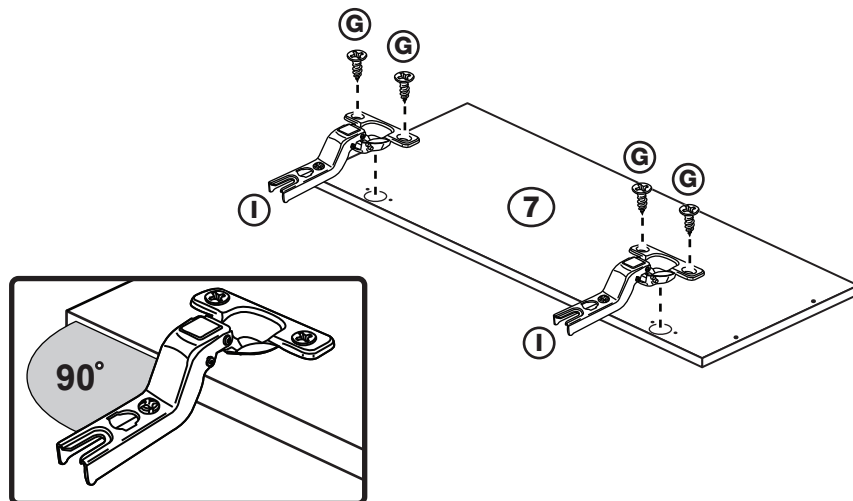


## Step 12

### Prepare the 2 Doors

Push 2 Hinges into each of the Doors.

Make sure the Hinges are pushed in at 90 degrees to the edge of the Doors before screwing them into place.





## Step 13

### Fit the Doors and Handles

We recommend that you fit the top Hinge first, then align and fit the other Hinge.

**a:** Push the Hinge onto the front part of the Hinge Plate. The recess at the bottom of Screw B goes into the slot in the Hinge Plate.

**b:** Keep the Hinge FLAT against the Hinge Plate as you slide it across as far as it will go. Tighten Screw A.

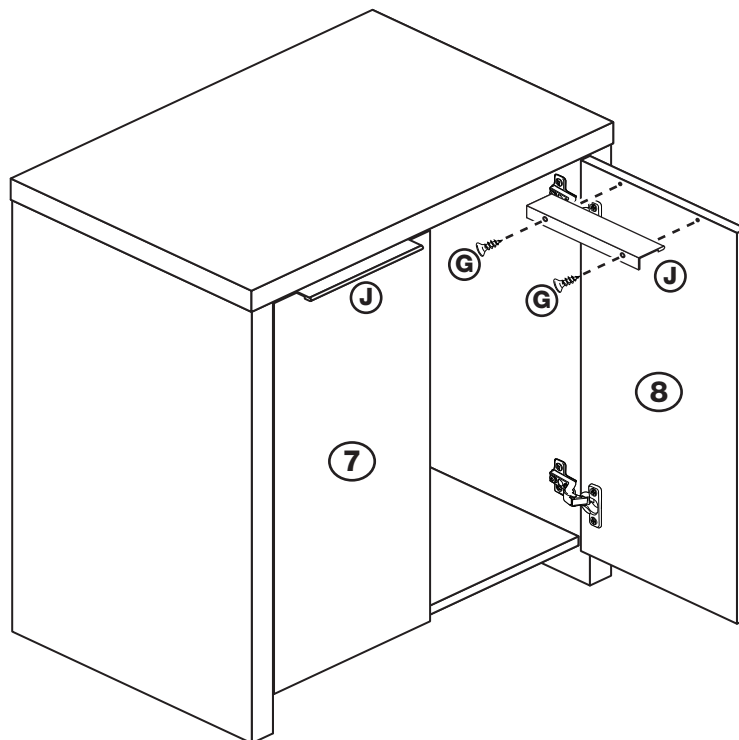
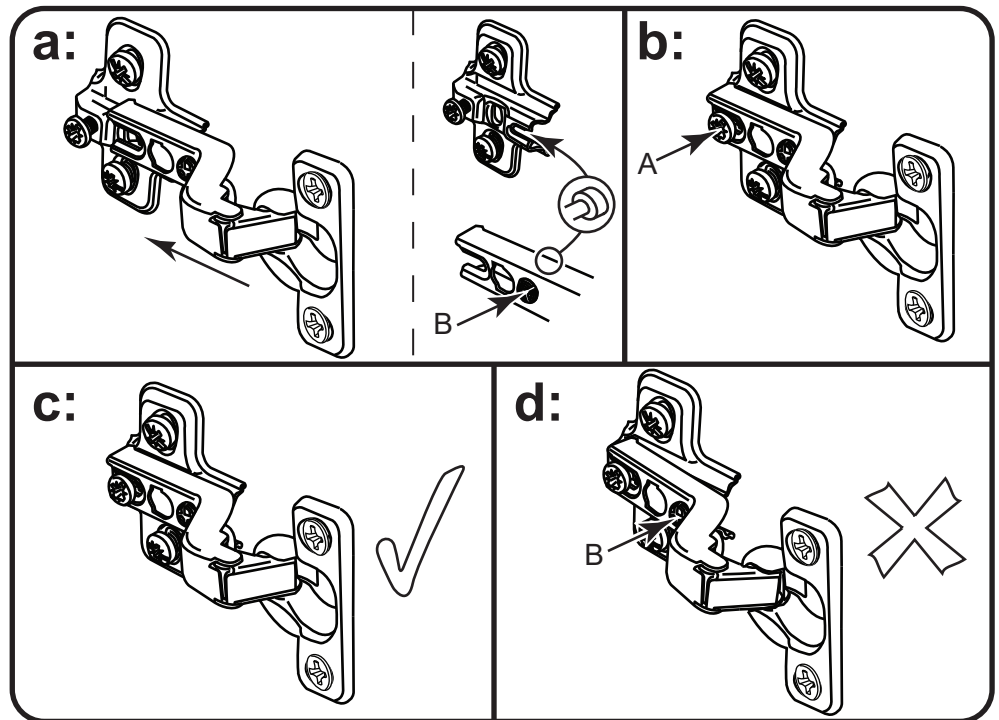
**c:** The Hinge must be flat against the Hinge Plate prior to any adjustment.

**d:** The Hinge must NOT BE AT AN ANGLE to the Hinge Plate when assembled.

This would indicate that the recess at the bottom of Screw B had not located in the slot in the Hinge Plate and the Hinge would not be secure. Remove the Hinge from the Hinge Plate and then re-assemble being careful to follow instructions a-c.

**Before fitting the Handles, please remove any protective film that may be on the panels.**

**e:** Attach a Handle to each of the Doors.



## Step 14

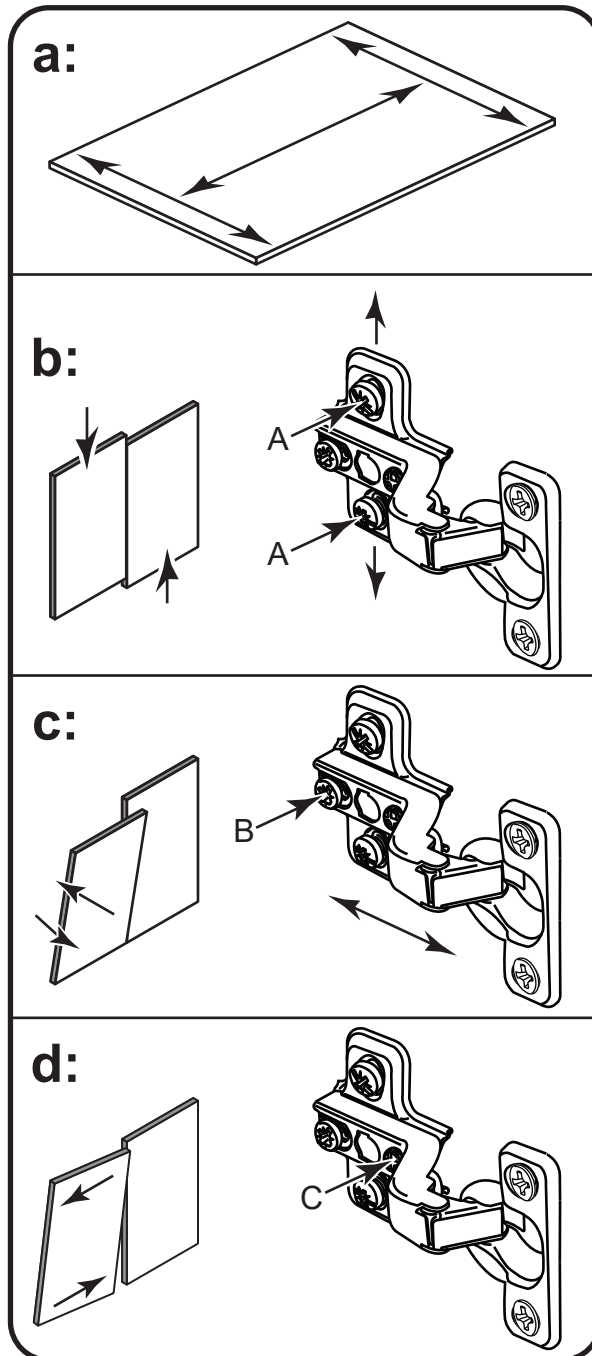
### Adjust the Doors if required

**a:** Before adjusting the Doors, use a spirit level to check the Top (or Base) of the unit is level, front-to-back and side-to-side in the 3 positions shown. Use suitable packing pieces (not supplied) to make the unit level BEFORE making any adjustment to the Hinges.

**b:** Height adjustment. Loosen Screws A on the Hinge Plates and move the Door up or down as required. Retighten Screw A.

**c:** Forward and Back adjustment. Loosen Screw B on the Hinge Plate and move the Door in or out as required. Retighten Screw B.

**d:** Sideways adjustment. To move the Door 'out' loosen Screw C. To move the Door 'in' tighten Screw C.



## Step 15

### Fit the Overbalance Protector Kit

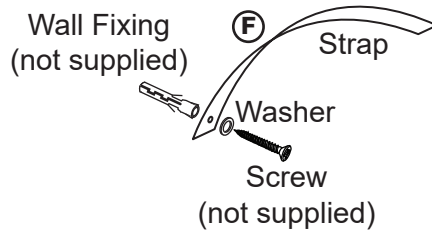
To prevent possible overbalancing we recommend that this unit is secured to a suitable wall by fitting of the Overbalance Protector Kit to the unit, or an alternative fixing method of your choice.

Wall fixings are not supplied as they will need to suit the wall type.

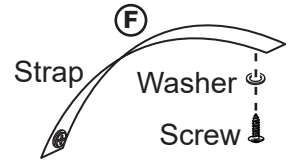
Take care when drilling the wall that you do not drill into any pipes, wires etc.

If in doubt, consult an expert.

### Attach the Strap to the wall



### Attach the Strap to the unit



This is an example.

Please find a suitable place to attach the Strap to your unit.

