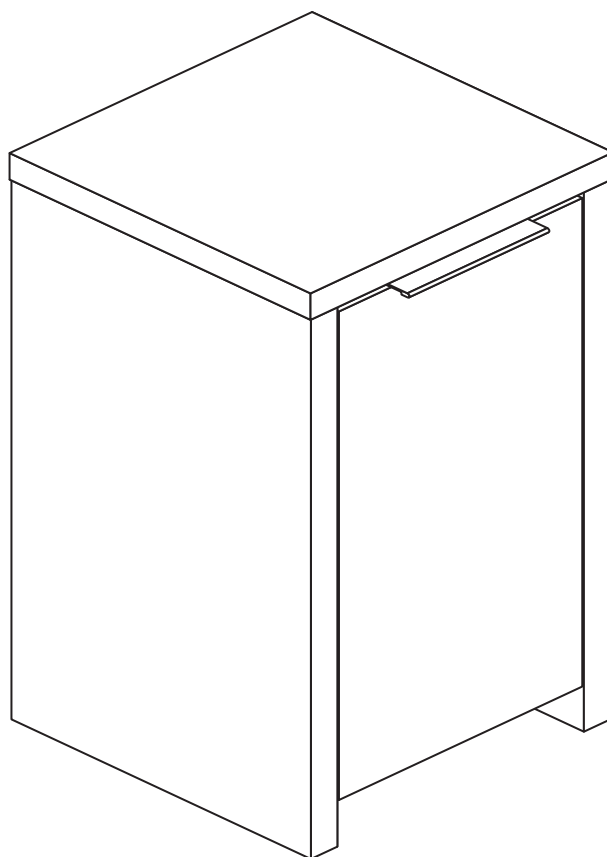


Assembly Instructions

Please keep for future reference



Inspire 40



Version 1 : 21/07/2020

Important - Please read these instructions fully before starting assembly

ALR3662

Safety and Care Advice

Important - Please read these instructions fully before starting assembly

- Warning: This unit weighs approximately 11kgs. Please lift with care.
- Check you have all the components and tools listed.
- Remove all fittings from the plastic bags and separate them into their groups.
- Keep children and animals away from the work area, small parts could choke if swallowed.
- Parts of the assembly will be easier with 2 people.
- Make sure you have enough space to layout the parts before starting.
- Assemble the item as close to its final position (in the same room) as possible.
- Assemble on a soft level surface to avoid damaging the unit or your floor (use opened out unit carton).
- We do not recommend the use of power drill/drivers for inserting screws, as this could damage the unit. Only use hand screwdrivers.
- Safety note: If there is any chance of this unit being pulled over by children etc. it is recommended that the unit is secured to a wall using suitable fixings (not supplied).
- Dispose of all packaging carefully and responsibly.



Care and maintenance

- Only clean using a damp cloth and mild detergent, do not use bleach or abrasive cleaners.
- From time to time check that there are no loose screws on this unit.
- This product should not be discarded with household waste. Take to your local authority waste disposal centre.

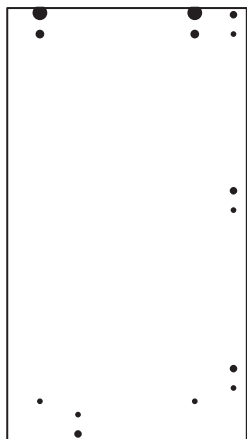
Contact Us

Aqua Pacific UK Ltd.
Unit 10, Oriana Way
Nursling Industrial Estate
Southampton
SO16 0YU

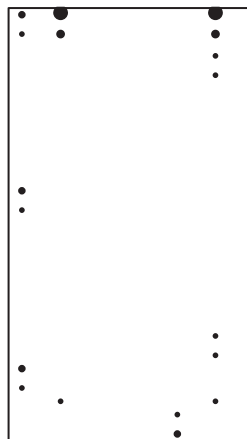
Tel +44 (0) 2380 734000
Fax +44 (0) 2380 740200
Sales@aquapacific.co.uk

Panels & Fittings

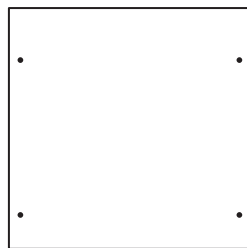
Please check you have all the panels and fittings listed below



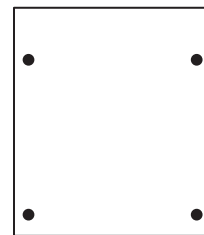
1 Left Side (D2505_01)
(715 x 396mm)



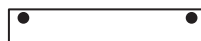
2 Right Side (D2506_01)
(715 x 396mm)



3 Top (D2472_01)
(400 x 398mm)



4 Base (D2475_01)
(326 x 377mm)



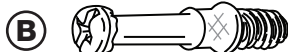
5 Rail (D2476_01)
(326 x 57mm) x 4



6 Door (DF-00020960)
(646 x 322mm)



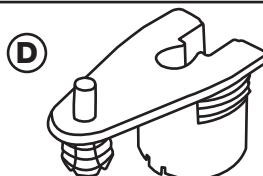
Wooden Dowel (F22) x 8



Large Metal Dowel (F901) x 12



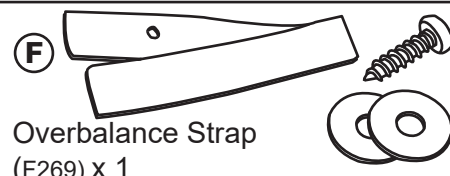
Small Metal Dowel (F893) x 4



Hollow Core
Locking Nut
(F892) x 4



Large Locking
Nut (F900) x 12



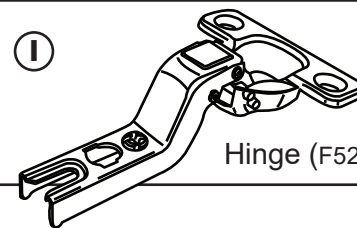
Overbalance Strap
(F269) x 1



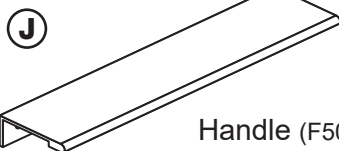
13mm Screw (F63) x 6



Hinge Plate
(F523) x 2

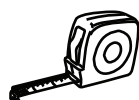


Hinge (F522) x 2



Handle (F503) x 1

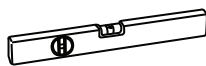
Tools



Rule



Scissors



Spirit
level



Cross-head
screwdriver



Flat-head
screwdriver



Hammer



Eye protection
(when using a
hammer or drill)



Electric drill
(do not use for
fitting screws)

Step 1

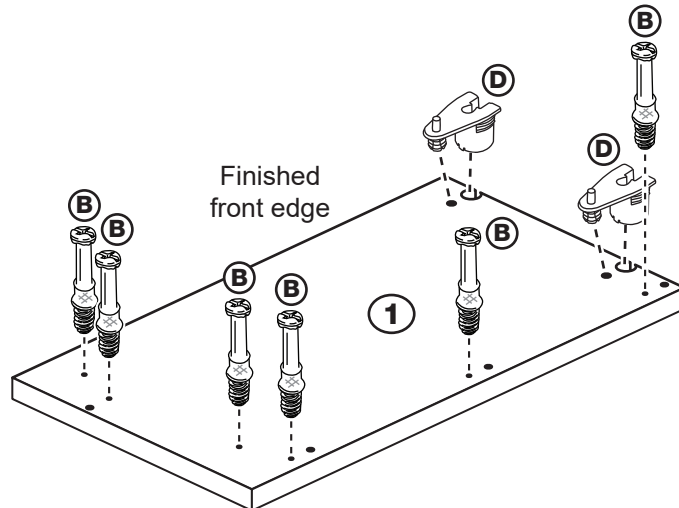
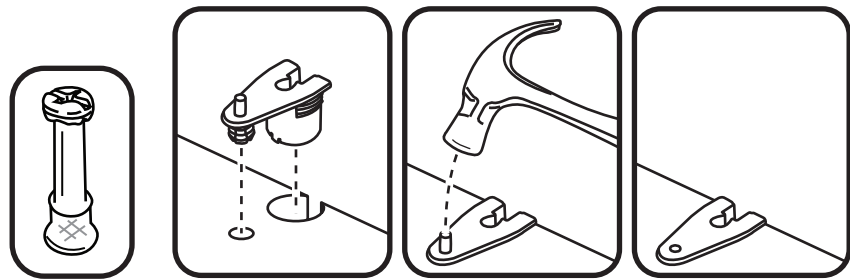
Prepare the Left Side

Screw 6 Large Metal Dowels into the Left Side.

Push 2 Hollow Core Locking Nuts into the Left Side, making sure that they are flush against the panel's surface.

Using a hammer, tap in the pin on the Hollow Core Locking Nut.

Note: The pin should be tapped in flush with the top surface of the Hollow Core Locking Nut.



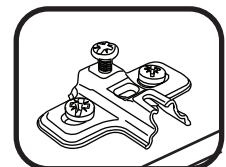
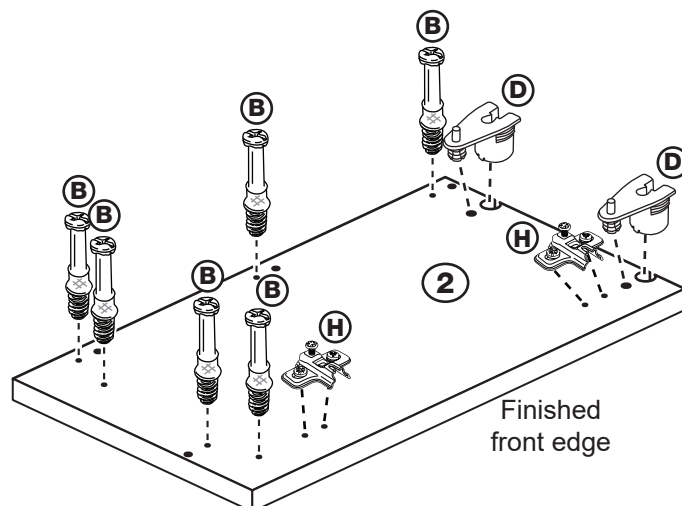
Step 2

Prepare the Right Side

Screw 6 Large Metal Dowels into the Right Side.

Push 2 Hollow Core Locking Nuts into the Right Side.

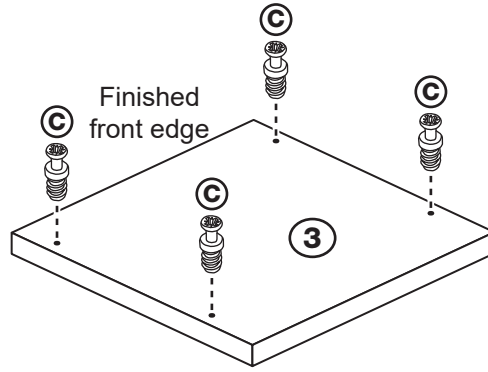
Fit 2 Hinge Plates onto the Right Side, making sure that the slot is facing towards the finished front edge.



Step 3

Prepare the Top

Screw 4 Small Metal Dowels into the Top.

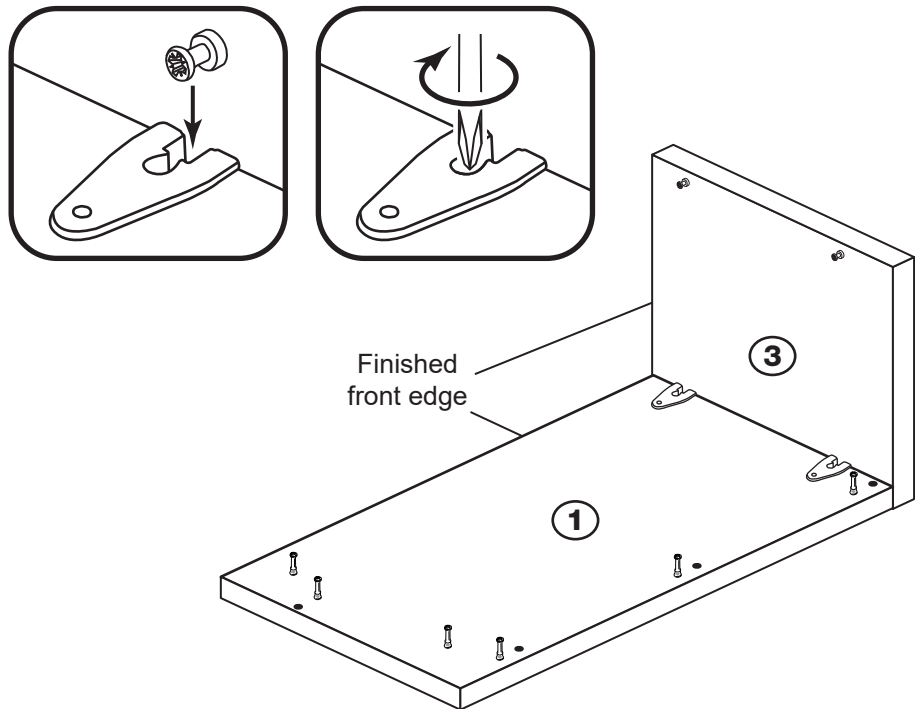


Step 4

Join the top to the Left Side

Slide the Small Metal Dowels fitted to the Top into the Hollow Core Locking Nuts fitted to the Left Side.

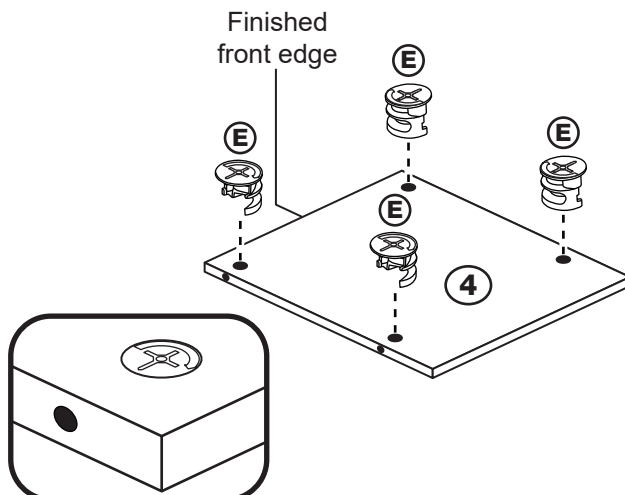
Insert a screwdriver into the 2 Hollow Core Locking Nuts and turn the nuts inside as far as they will go.



Step 5

Prepare the Base

Insert 4 Large Locking Nuts into the Base.



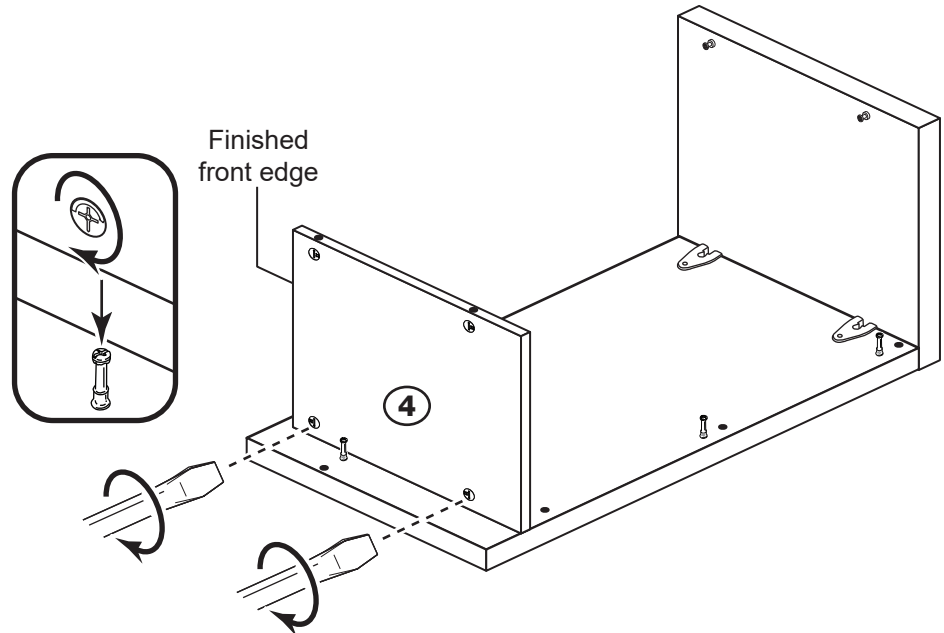
Step 6

Fit the Base to the Left Side

Push the Base down onto the Left Side.

Use a screwdriver to tighten the 2 Large Locking Nuts fitted to the Base.

Note: Turn the Large Locking Nuts as far as they will go - more than 1/2 a turn.

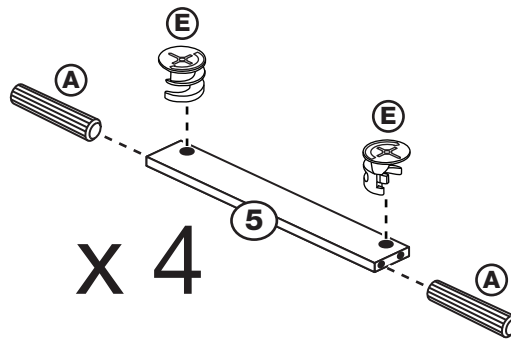


Step 7

Prepare the 4 Rails

Insert 2 Large Locking Nuts into each of the 4 Rails.

Tap 2 Wooden Dowels into each of the 4 Rails.

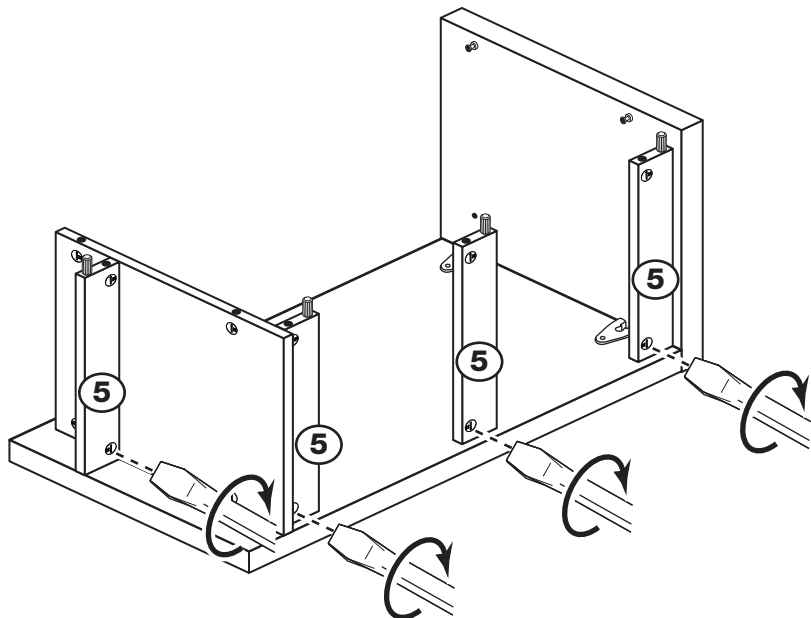


Step 8

Fit the 4 Rails

Push the 4 Rails down onto the Left Side.

Use a screwdriver to tighten the 4 Large Locking Nuts fitted to the Rails.



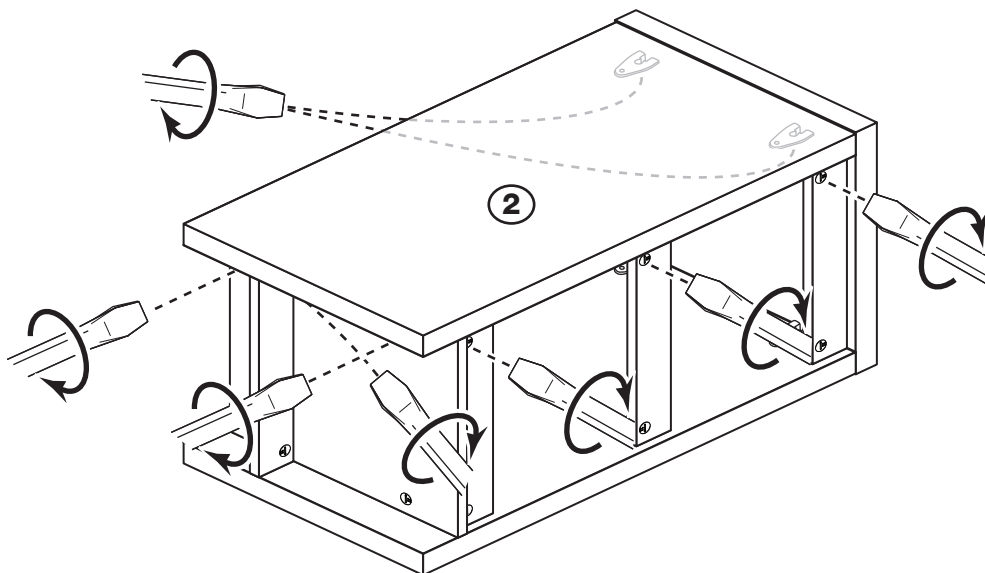
Step 9

Fit the Right Side

Push the Right Side down onto the assembly.

Use a screwdriver to tighten the 6 Large Locking Nuts fitted to the Base and Rails.

Insert a screwdriver into the 2 Hollow Core Locking Nuts and turn the nuts inside as far as they will go.



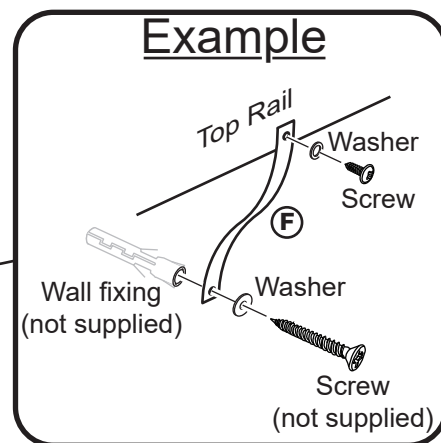
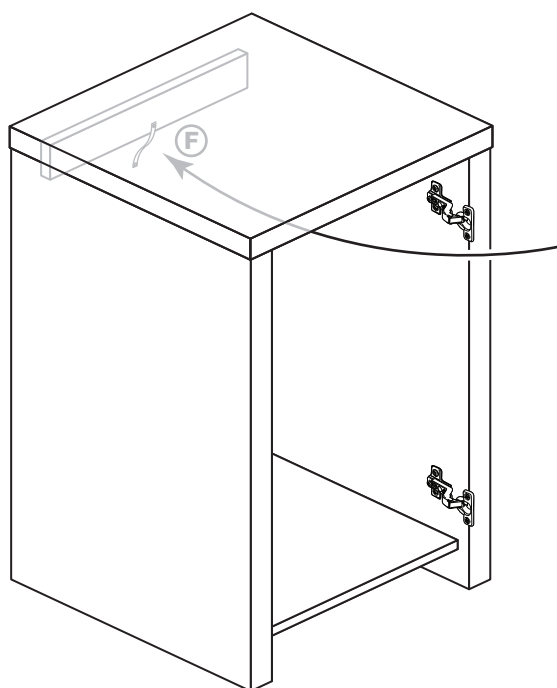
Step 10

Fit the Overbalance Strap

To prevent possible overbalancing this unit must be secured to a suitable wall by fitting of the overbalance protector kit to the unit.

Wall fixings are not supplied as they will need to suit the wall type.

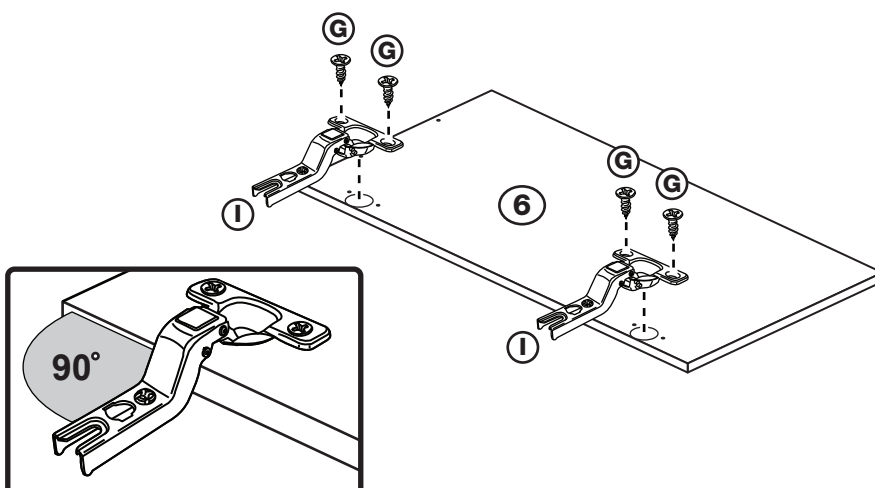
Note: Take care when drilling the wall that you do not drill into any pipes, wires etc. If in doubt, consult an expert.



Step 11

Prepare the Door

Make sure the Hinges are pushed in at 90 degrees to the edge of the door before screwing them into place.



Step 12

Fit the Door and Handle

We recommend that you fit the top Hinge first, then align and fit the other Hinge.

a: Push the Hinge onto the front part of the Hinge Plate. The recess at the bottom of Screw B goes into the slot in the Hinge Plate.

b: Keep the Hinge FLAT against the Hinge Plate as you slide it across as far as it will go. Tighten Screw A.

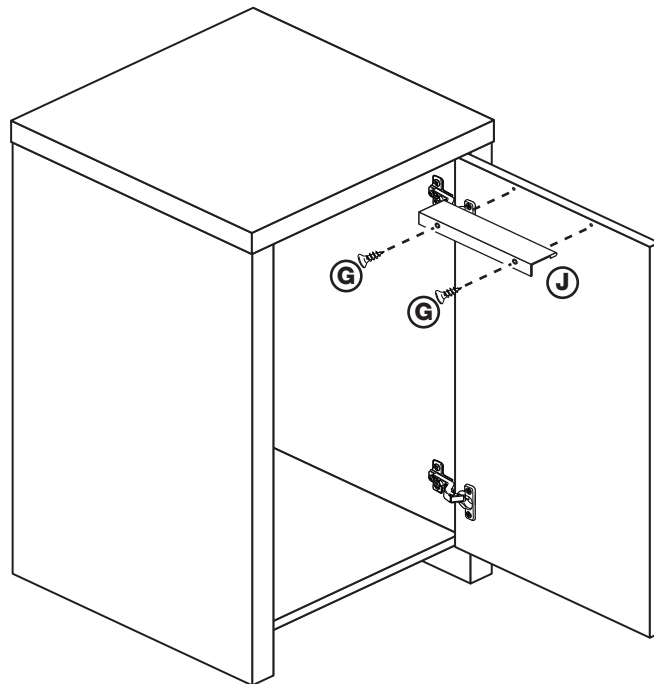
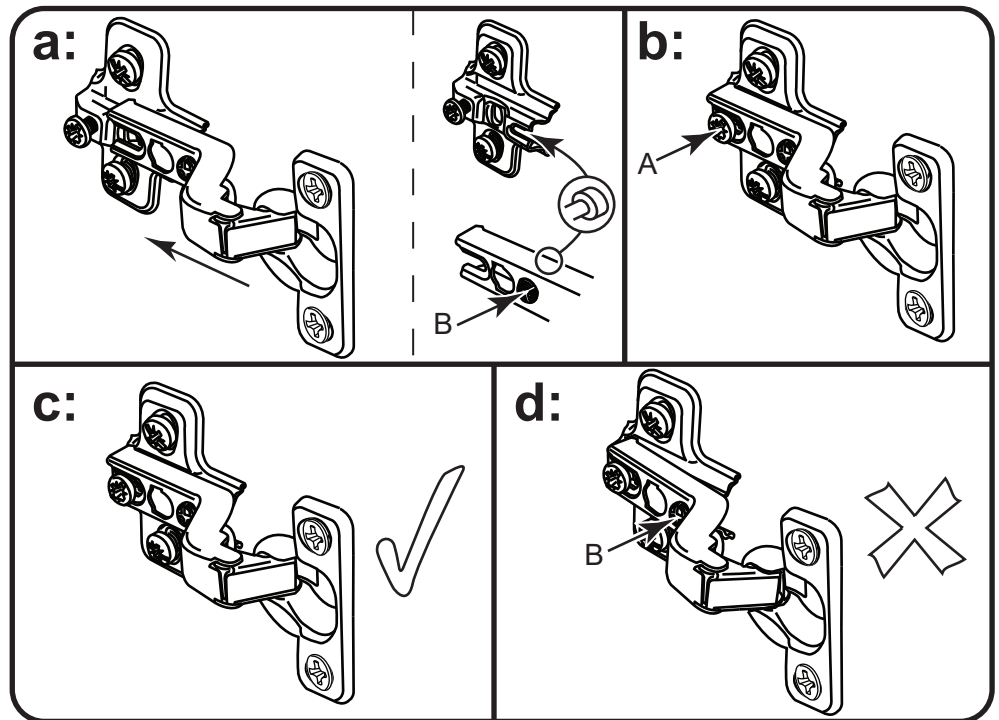
c: The Hinge must be flat against the Hinge Plate prior to any adjustment.

d: The Hinge must NOT be AT AN ANGLE to the Hinge Plate when assembled.

This would indicate that the recess at the bottom of Screw B had not located in the slot in the Hinge Plate and the Hinge would not be secure.

Remove the Hinge from the Hinge Plate and then re-assemble being careful to follow instructions a-c.

e: Attach the Handle to the Door.



Step 13

Adjust the Door if required

a: Before adjusting the Door, use a spirit level to check the Top (or Base) of the unit is level, front-to-back and side-to-side in the 3 positions shown. Use suitable packing pieces (not supplied) to make the unit level BEFORE making any adjustment to the Hinges.

b: Height adjustment. Loosen Screws A on the Hinge Plates and move the Door up or down as required. Retighten Screw A.

c: Forward and Back adjustment. Loosen Screw B on the Hinge Plate and move the Door in or out as required. Retighten Screw B.

d: Sideways adjustment. To move the Door 'out' loosen Screw C. To move the Door 'in' tighten Screw C.

