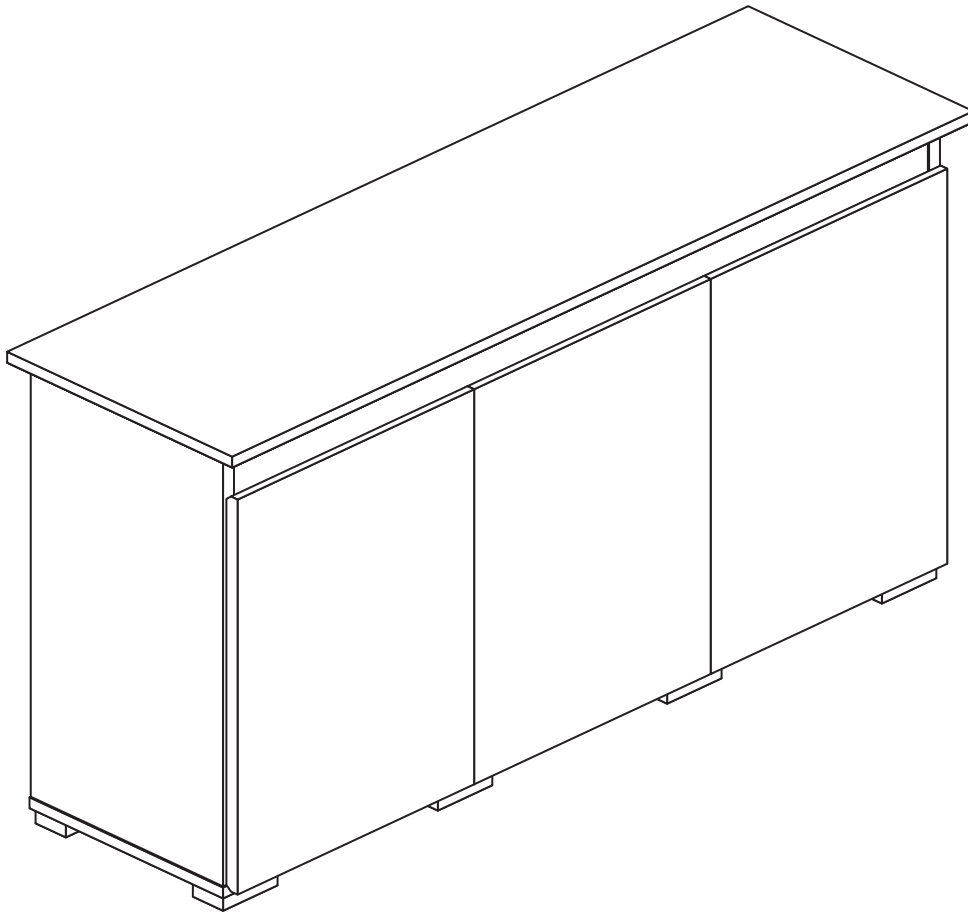


Assembly Instructions

Please keep for future reference



Styleline 122



Version 1 : 01/08/2017

Important - Please read these instructions fully before starting assembly

ALR3417

Safety and Care Advice

Important - Please read these instructions fully before starting assembly

- Warning: This unit is heavy. Please lift with care.

- Check you have all the components and tools listed.

- Remove all fittings from the plastic bags and separate them into their groups.

- Keep children and animals away from the work area, small parts could choke if swallowed.

- Parts of the assembly will be easier with 2 people.

- Make sure you have enough space to layout the parts before starting.

- Assemble the item as close to its final position (in the same room) as possible.

- Assemble on a soft level surface to avoid damaging the unit or your floor (use opened out unit carton).



- We do not recommend the use of power drill/drivers for inserting screws, as this could damage the unit. Only use hand screwdrivers.

- **Safety note: This unit must be secured to a wall using the overbalance protector kits supplied.**

- Dispose of all packaging carefully and responsibly.

Care and maintenance

- Only clean using a damp cloth and mild detergent, do not use bleach or abrasive cleaners.

- From time to time check that there are no loose screws on this unit.

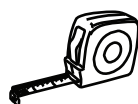
- This product should not be discarded with household waste. Take to your local authority waste disposal centre.

Contact Us

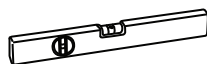
Aqua Pacific UK Ltd.
Unit 10, Oriana Way
Nursling Industrial Estate
Southampton
SO16 0YU

Tel +44 (0) 2380 734000
Fax +44 (0) 2380 740200
Sales@aquapacific.co.uk

Tools



Rule



Spirit level



Cross-head screwdriver



Scissors



Hammer



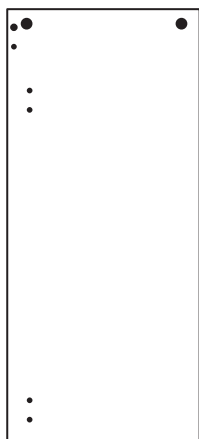
Eye protection (when using a hammer or drill)



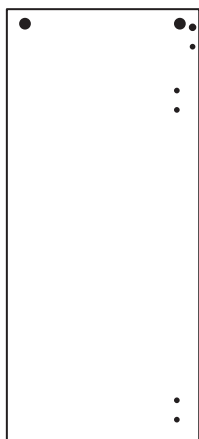
Electric drill (do not use for fitting screws)

Panels

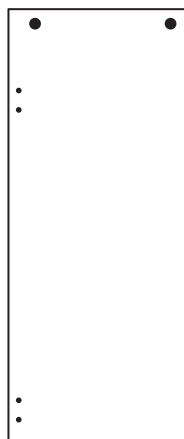
Please check you have all the panels listed below



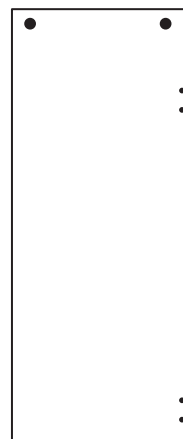
① Left Side
(DF-00012353)
(71.8 x 31.8cm)



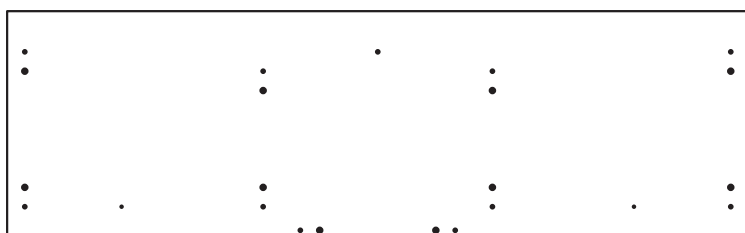
② Right Side
(DF-00012354)
(71.8 x 31.8cm)



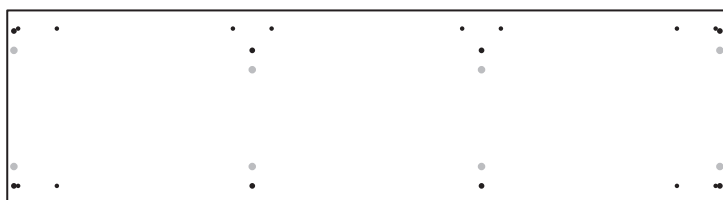
③ Left Divider
(DF-00012368)
(71.8 x 29.8cm)



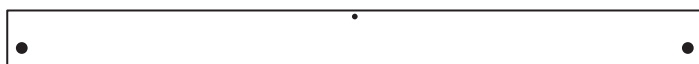
④ Right Divider
(DF-00012384)
(71.8 x 29.8cm)



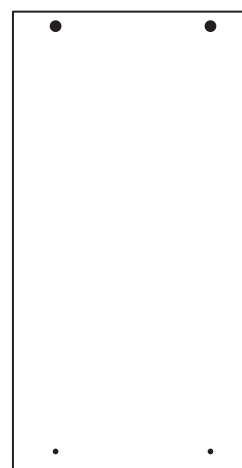
⑤ Top (DF-00012361)
(122.5 x 37.2cm)



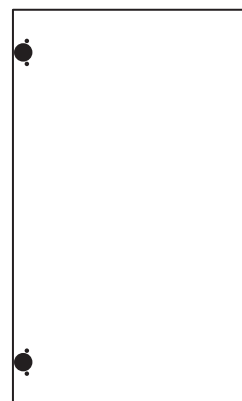
⑥ Base (DF-00012364)
(118.9 x 32cm)



⑧ Front Rail (DF-00012570)
(114.9 x 9.2cm)



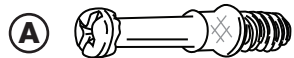
⑦ Back (DF-00012356)
(76.1 x 39.7cm)



⑨ Door (DF-00012367)
(65.3 x 38.9cm) x 3

Fittings

Please check you have all the fittings listed below



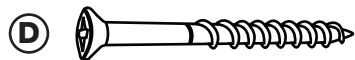
Large Metal Dowel (F901) x 12



Large Locking Cam Nut (F900) x 12



Wooden Dowel (F22) x 20



45mm Screw (F65) x 2



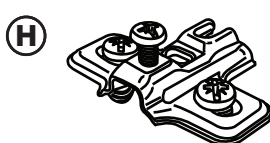
40mm Screw (F910) x 8



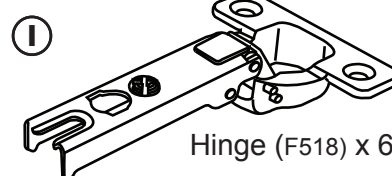
38mm Screw (F81) x 12



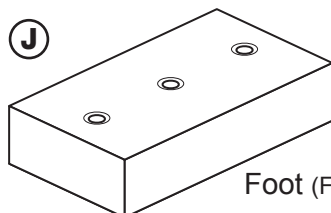
13mm Screw (F63) x 12



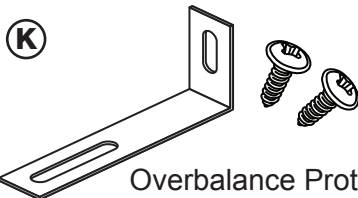
Hinge Plate (F523) x 6



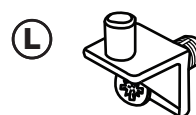
Hinge (F518) x 6



Foot (F233) x 6



Overbalance Protector Kit (F474) x 2



Shelf Support (372) x 1

Step 1

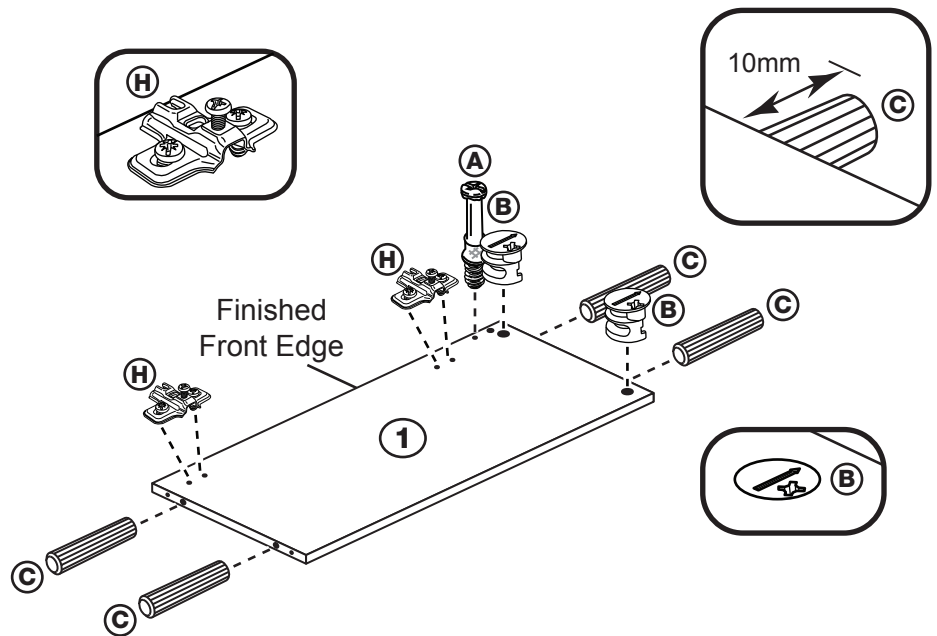
Prepare the Left Side

Tap 4 Wooden Dowels into the Left Side.

Insert 2 Large Locking Cam Nuts into the Left Side.

Screw a metal dowel into the Left Side.

Fit 2 hinge plates onto the Left Side, making sure that the slot is facing towards the finished front edge.



Step 2

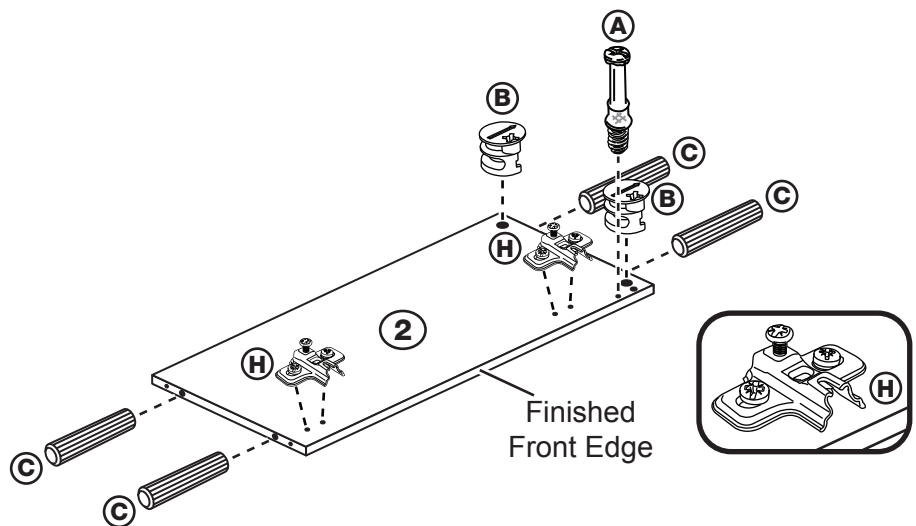
Prepare the Right Side

Tap 4 Wooden Dowels into the Right Side.

Insert 2 Large Locking Cam Nuts into the Right Side.

Screw a metal dowel into the Right Side.

Fit 2 hinge plates onto the Right Side, making sure that the slot is facing towards the finished front edge.



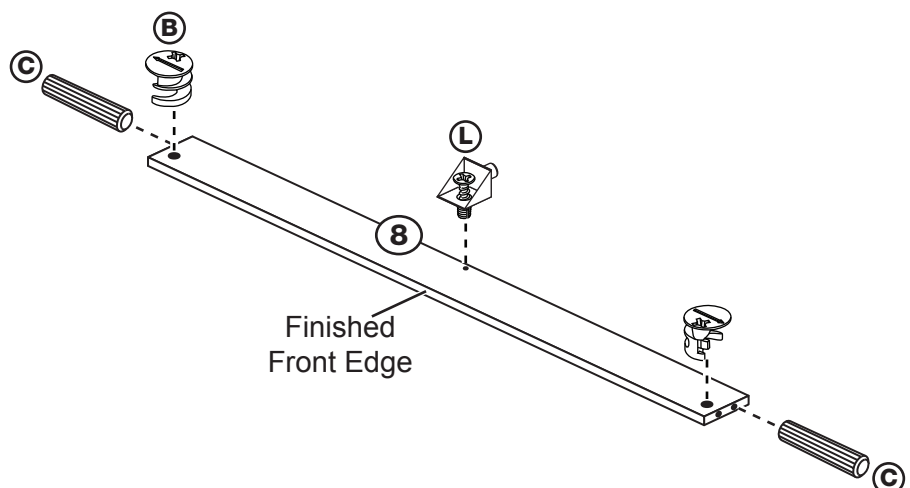
Step 3

Prepare the Front Rail

Tap 2 Wooden Dowels into the Front Rail.

Insert 2 Large Locking Cam Nuts into the Front Rail.

Screw the Shelf Support into the Front Rail.



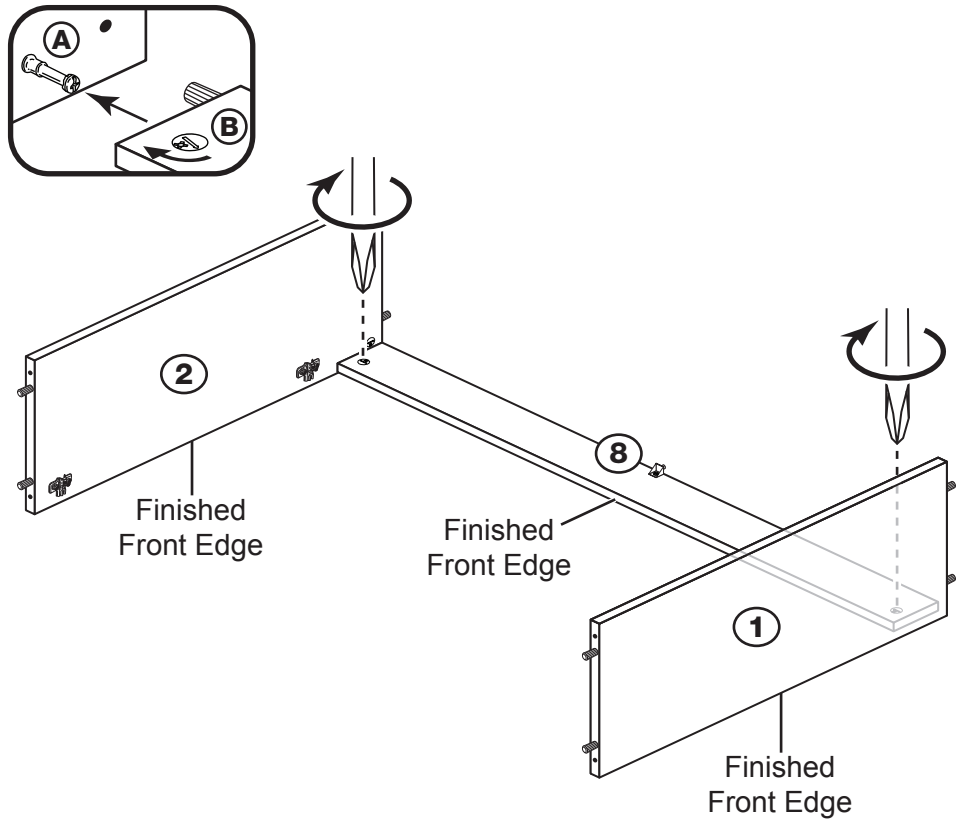
Step 4

Fit the Sides to the Front Rail

Push the Sides onto the Front Rail.

Use a screwdriver to tighten the 2 Large Locking Cam Nuts fitted to the Front Rail.

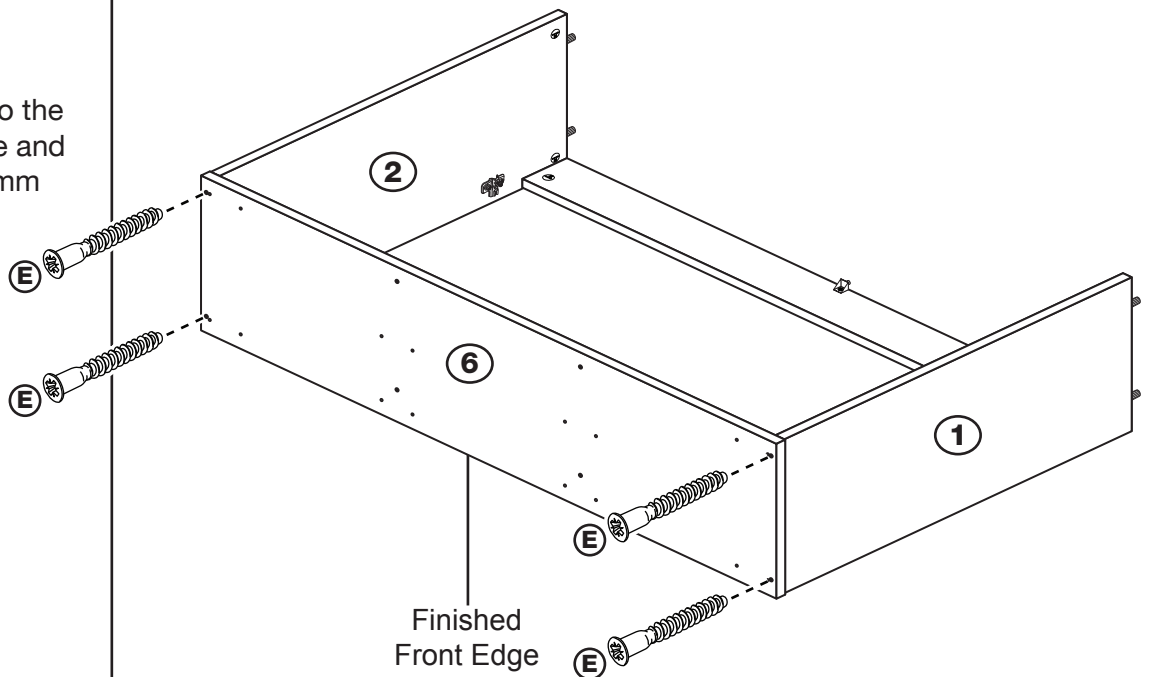
Note: Turn the Large Locking Cam Nuts as far as they will go - more than 1/2 a turn.



Step 5

Fit the Base

Push the Base onto the Left and Right Side and fix it using four 40mm screws.



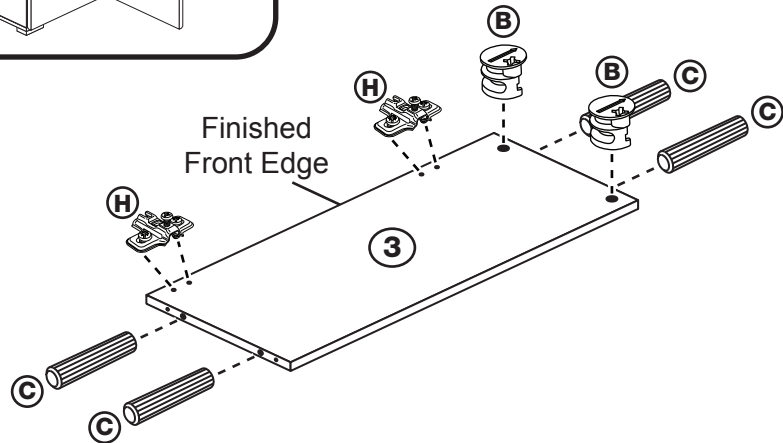
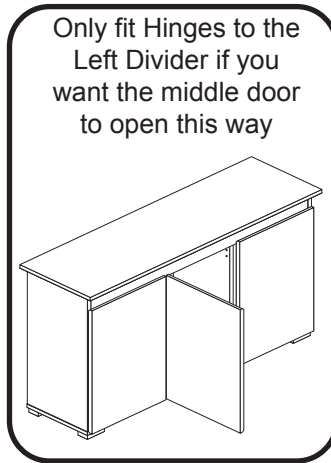
Step 6

Prepare the Left Divider

If required, fit 2 Hinge Plates onto the Left Divider, making sure that the slot is facing towards the finished front edge.

Tap 4 Wooden Dowels into the Left Divider.

Insert 2 Large Locking Cam Nuts into the Left Divider.



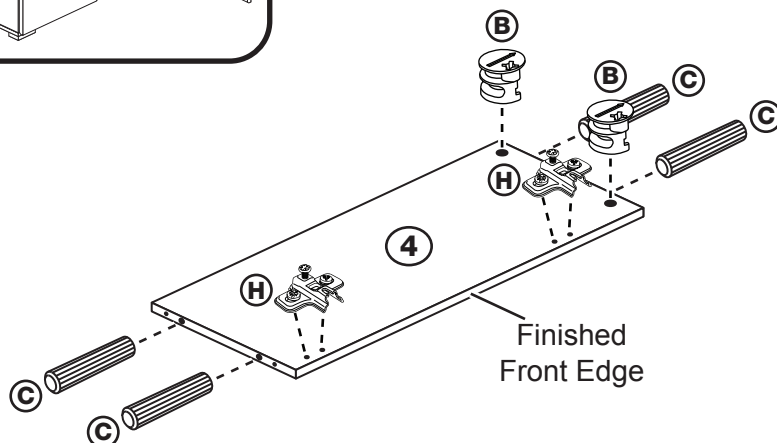
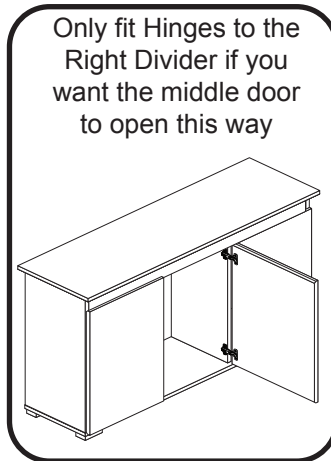
Step 7

Prepare the Right Divider

If required, fit 2 Hinge Plates onto the Right Divider, making sure that the slot is facing towards the finished front edge.

Tap 4 Wooden Dowels into the Right Divider.

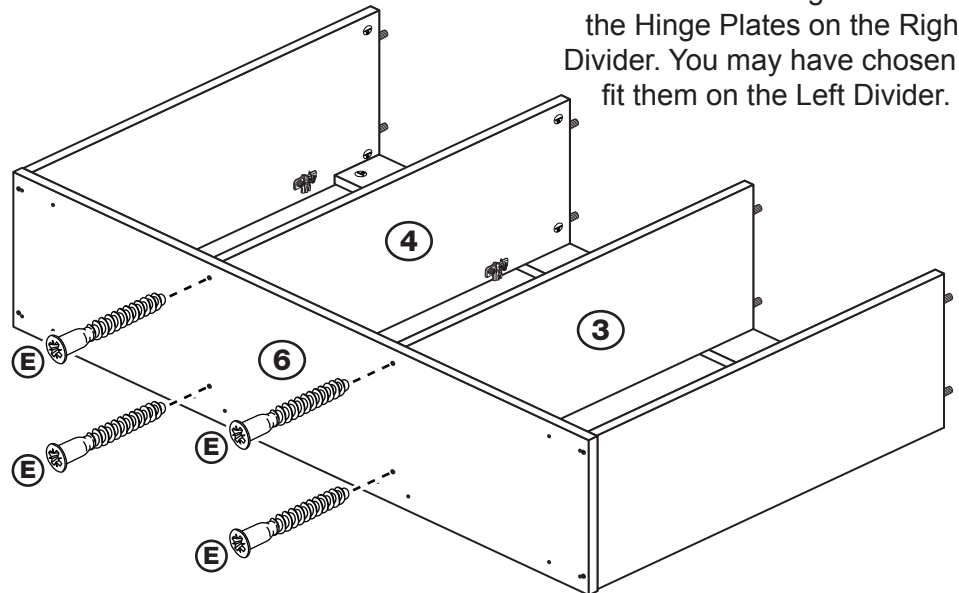
Insert 2 Large Locking Cam Nuts into the Right Divider.



Step 8

Fit the Dividers

Push the Dividers onto the Base and fix them using four 40mm screws.

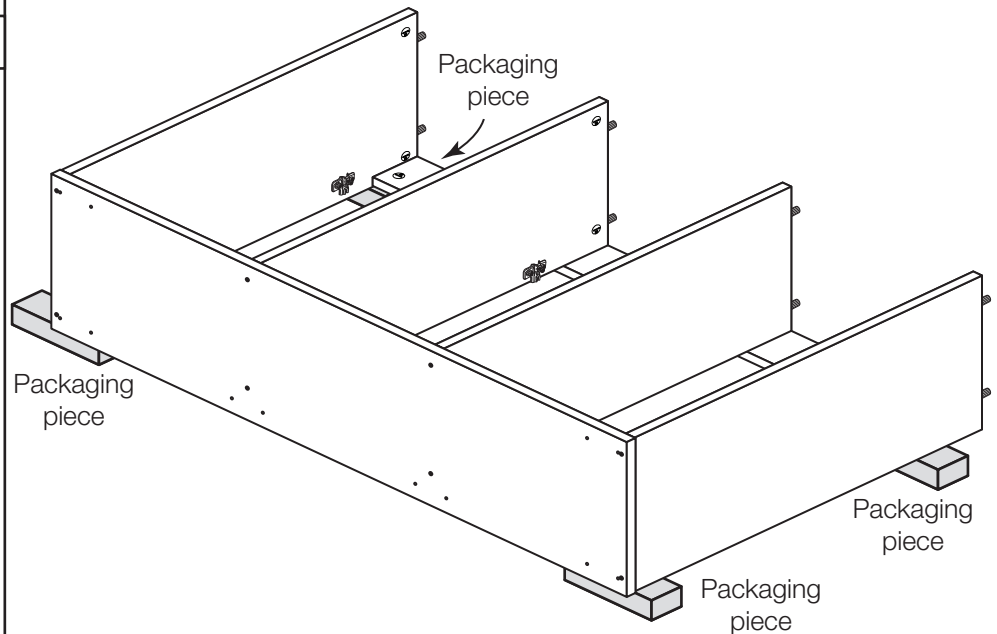


The rest of the stages will show the Hinge Plates on the Right Divider. You may have chosen to fit them on the Left Divider.

Step 9

Raise the assembly

To make it easier to fit the Top Panel, place packaging pieces underneath the Side Panels to raise the assembly.



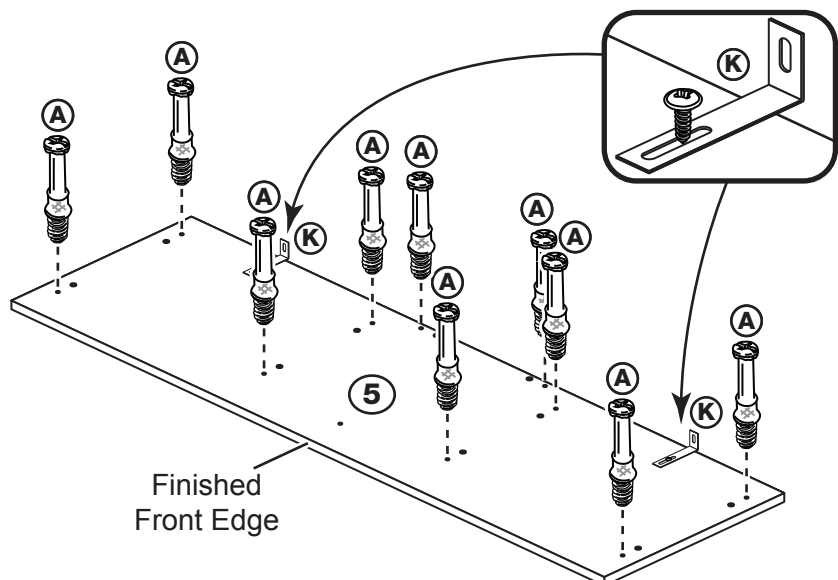
Step 10

Prepare the top

Screw 10 Metal Dowels into the Top.

Fit the 2 Brackets from the Overbalance Protector Kits to the shallow mark-holes drilled into the Top using 1 of their Screws.

Note: Only fit 1 of the Screws, the other 1 will be fitted later.



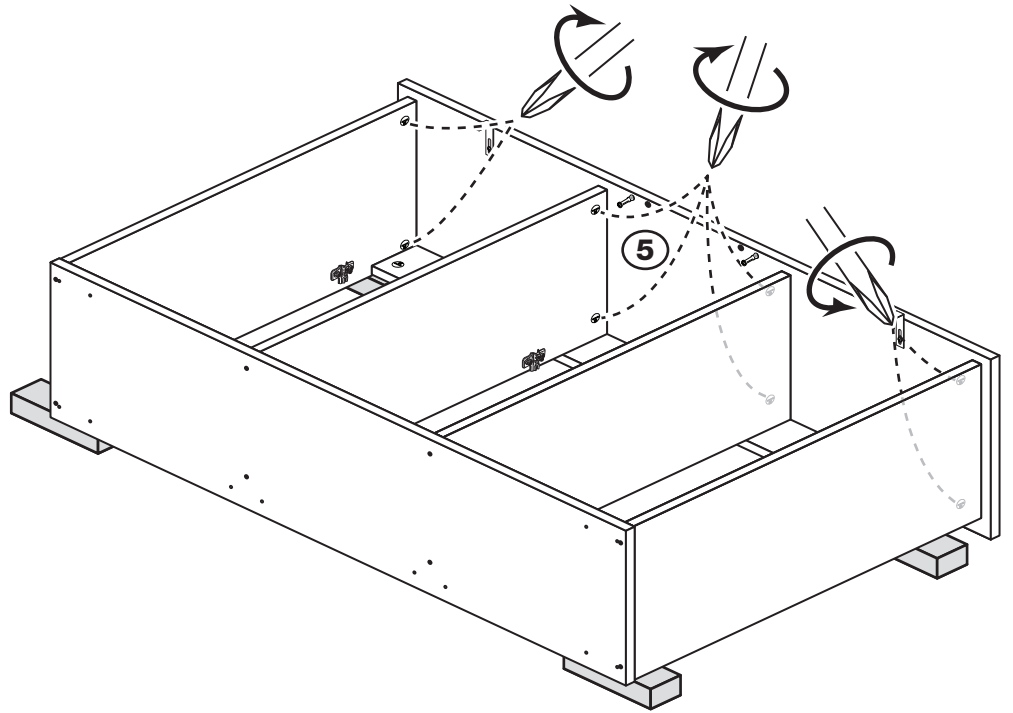
Step 11

Fit the Top

Push the Top onto the assembly.

Use a screwdriver to tighten the 8 Large Locking Cam Nuts fitted to the Sides and Dividers.

Make sure that the Shelf Support fitted to the Front Rail is pushed into its hole in the Top.

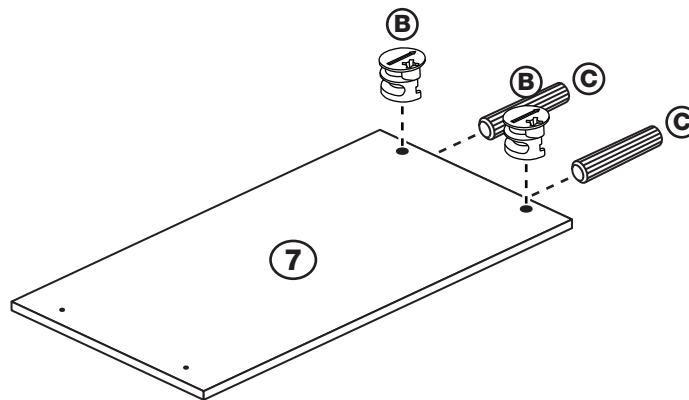


Step 12

Prepare the Back

Tap 2 Wooden Dowels into the Back.

Insert 2 Large Locking Cam Nuts into the Back.



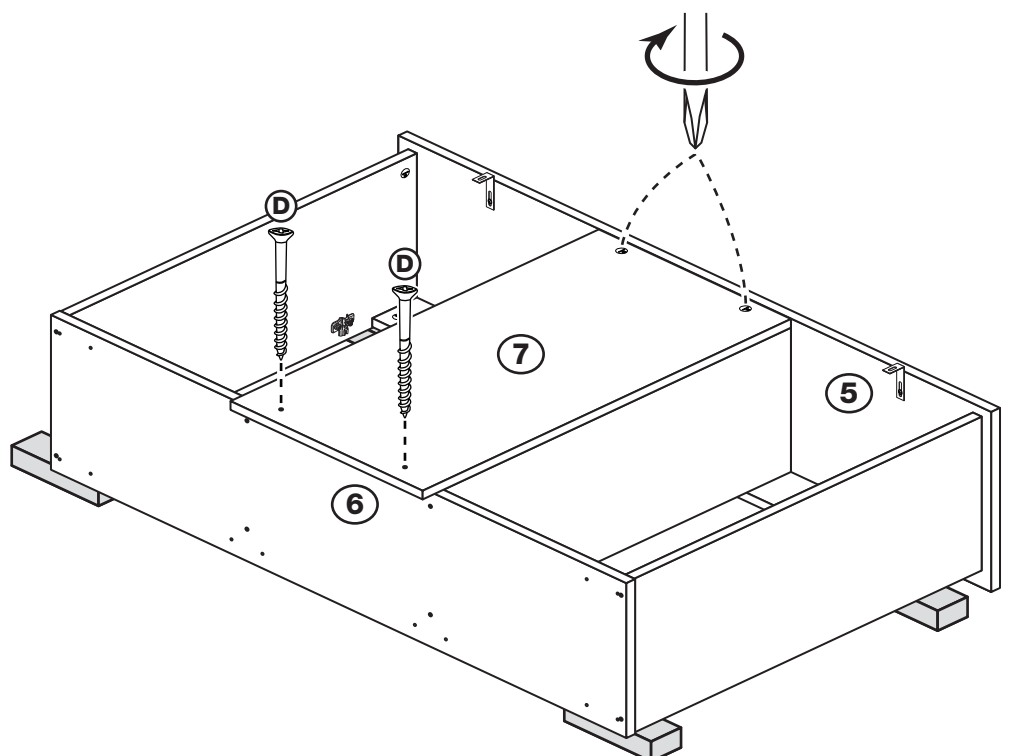
Step 13

Fit the Back

Push the Back onto the Top.

Use a screwdriver to tighten the 2 Large Locking Cam Nuts fitted to the Back.

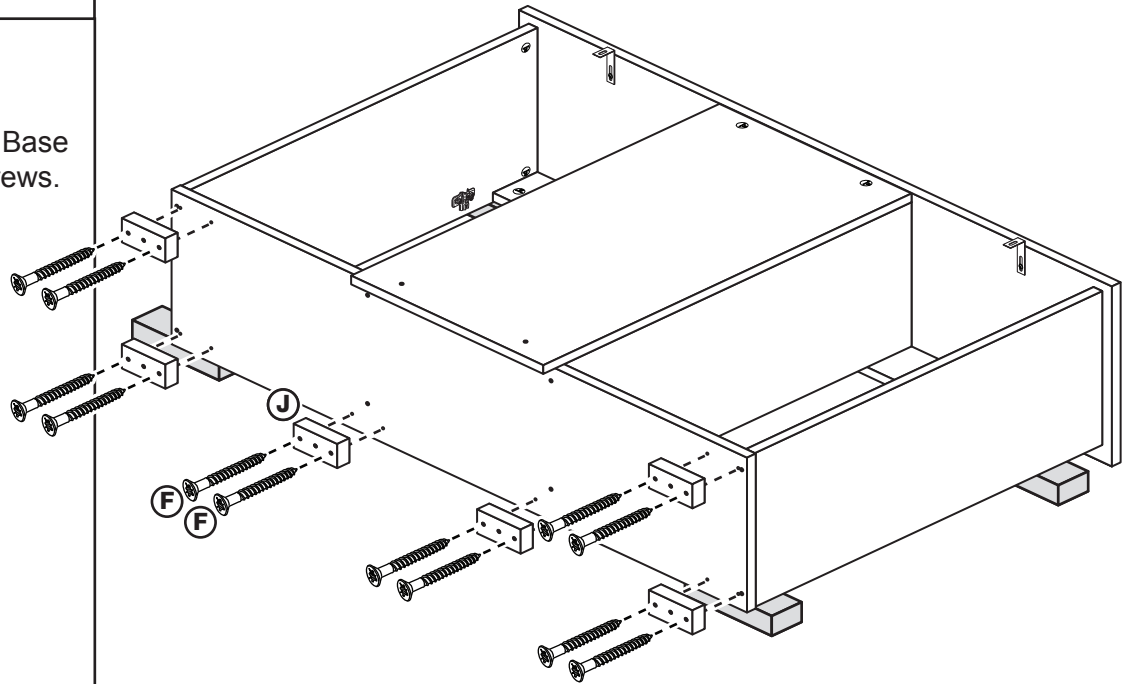
Fix the Back to the Base with two 45mm Screws.



Step 14

Fit the 6 Feet

Fit the 6 Feet to the Base using the 38mm Screws.

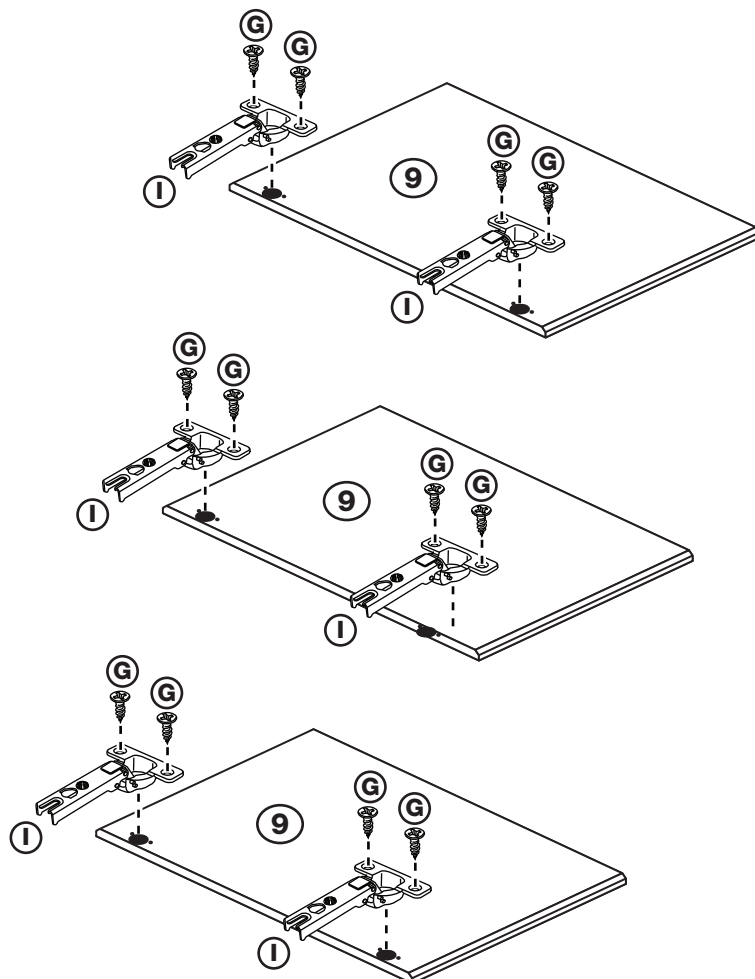


Step 15

Prepare the 3 Doors

Push fit 2 Hinges into each of the Doors.

Secure each Hinge with two 13mm screws into the shallow mark holes.



Step 16

Secure the unit to a wall

a: Before fitting the unit to a wall, use a spirit level to check the top of the unit is level, front-to-back and side-to-side in the 3 positions shown. Use suitable packing pieces (not supplied) to make the unit level.

To prevent possible overbalancing this unit must be secured to a suitable wall by fitting the 2 Overbalance Protector Kits to a wall.

b: Push the unit up against the wall and slide the Brackets against the wall. Fit the 2nd Screw from the kits into the underside of the Top panel.

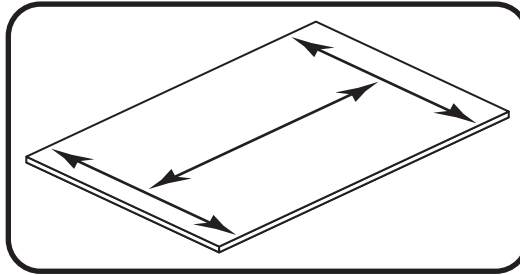
Mark the slot at the back of the Brackets for drilling into the wall.

Wall fixings are not supplied as they will need to suit the wall type.

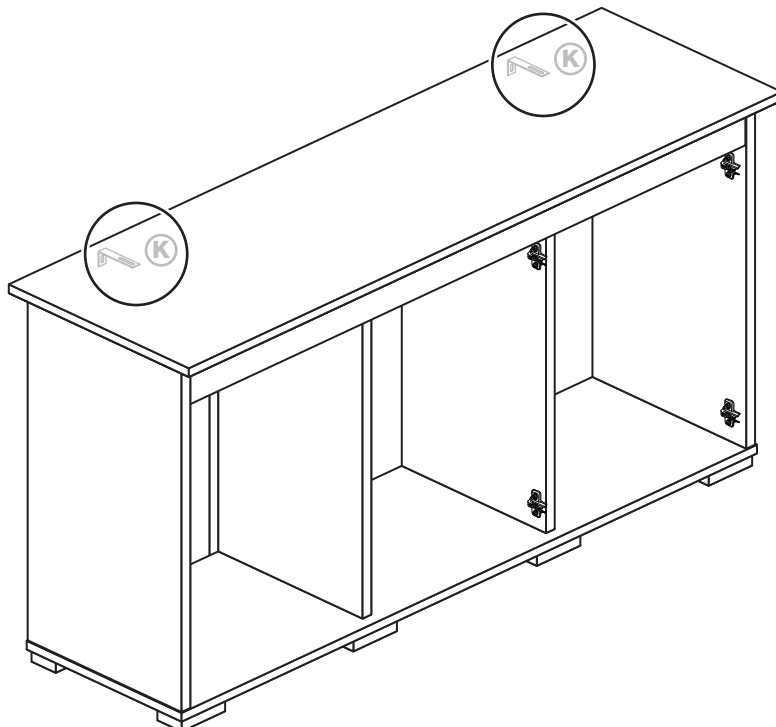
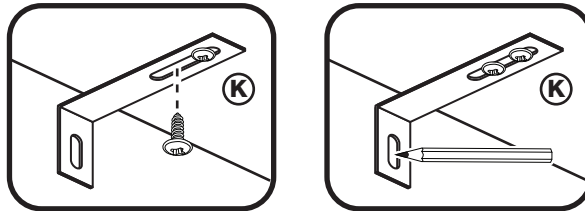
Take care when drilling the wall that you do not drill into any pipes, wires etc. If in doubt, consult an expert.

This unit must be fixed to a wall using the 2 Overbalance Protector Kits provided

a:



b:



Step 17

Fit the 3 Doors

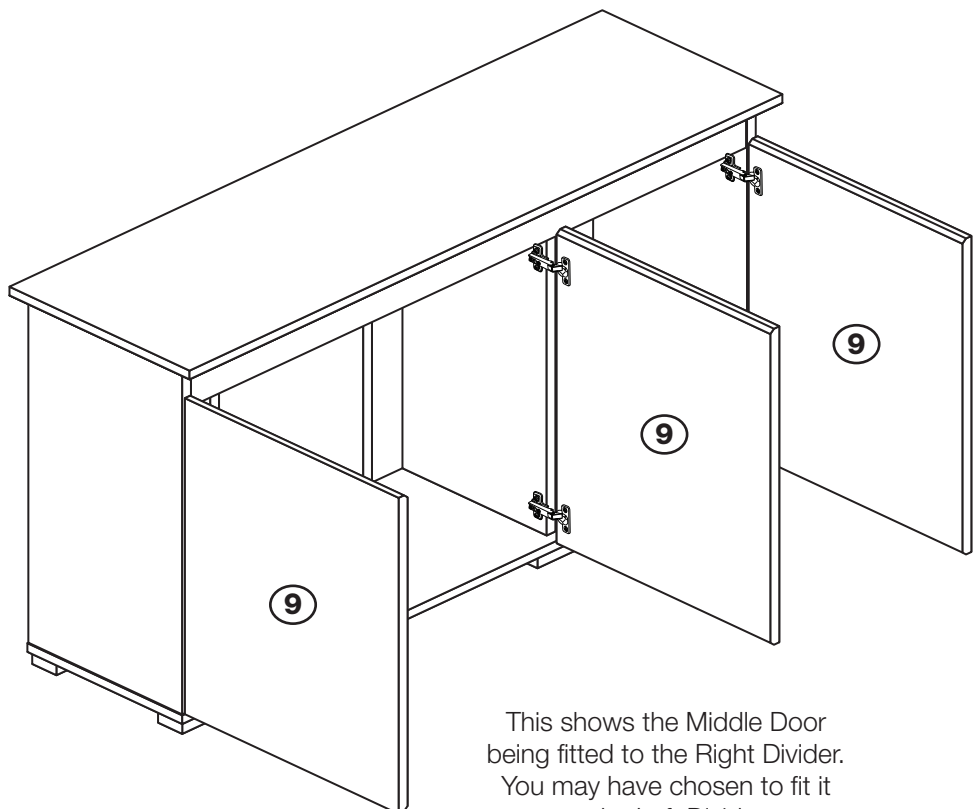
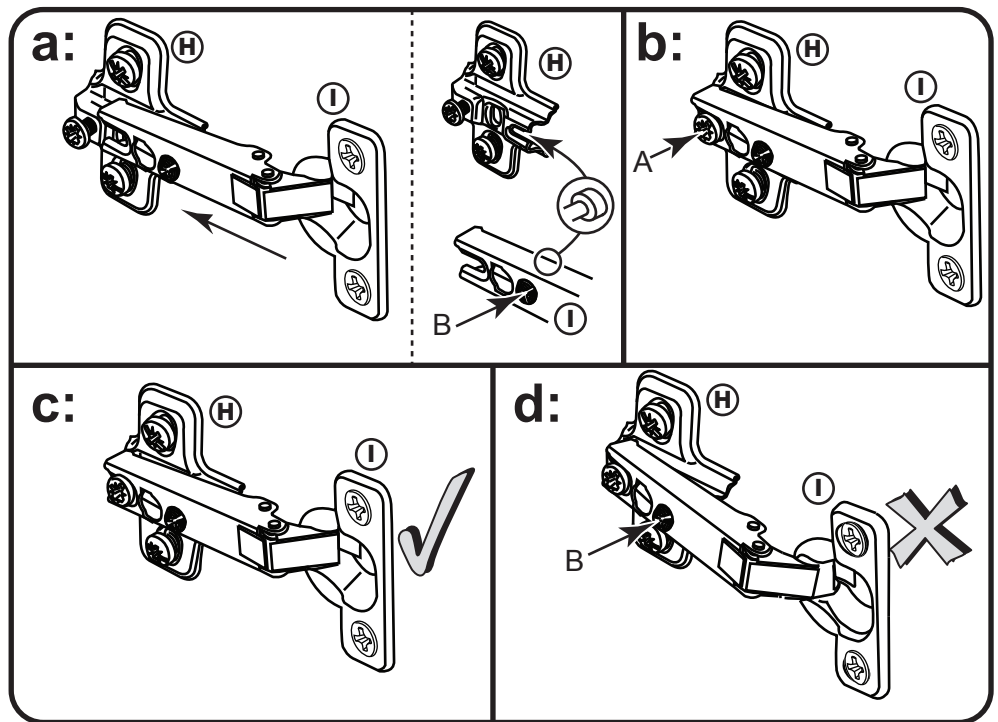
The easiest way to attach each Door is to fit the top Hinge first, then align and fit the other Hinge.

a: Push the Hinge onto the front part of the Hinge Plate. The recess at the bottom of Screw B goes into the slot in the Hinge Plate.

b: Keep the Hinge FLAT against the Hinge Plate as you slide it across as far as it will go. Tighten Screw A.

c: The Hinge must be flat against the Hinge Plate prior to any adjustment.

d: The Hinge must NOT BE AT AN ANGLE to the Hinge Plate when assembled. This would indicate that the recess at the bottom of Screw B had not located in the slot in the Hinge Plate and the Hinge would not be secure. Remove the Hinge from the Hinge Plate and then re-assemble being careful to follow instructions a-c.



Step 18

Adjust the Doors if needed

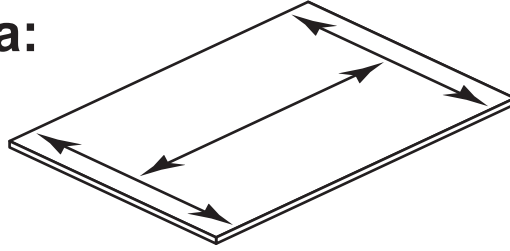
a: Before adjusting the Doors, use a spirit level to check the Base (or Top) of the unit is level, front-to-back and side-to-side in the 3 positions shown. Use suitable packing pieces (not supplied) to make the unit level BEFORE making any adjustment to the Hinges, as shown.

b: Height adjustment.
Loosen Screws A on Hinge Plates and move Door up or down as required.
Retighten Screw A.

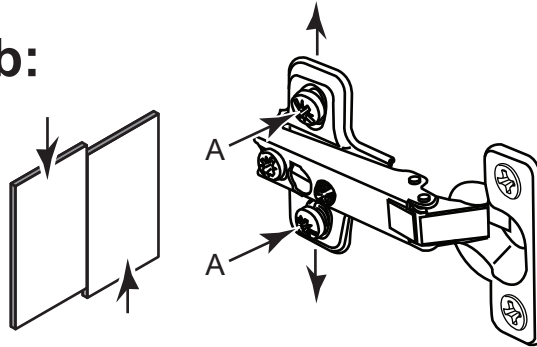
c: Forward and Back adjustment.
Loosen Screw B on Hinge Plate and move Door in or out as required.
Retighten Screw B.

d: Sideways adjustment.
To move Door 'out' loosen Screw C.
To move Door 'in' tighten Screw C.

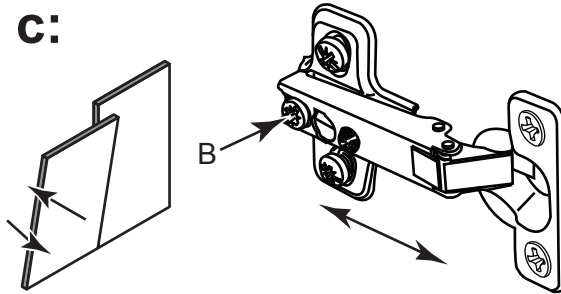
a:



b:



c:



d:

