

Instructions Oakstyle Aquarium

Attaching the hood surround panels and bottom trim

The OakStyle aquarium can be used without the decorative hood surround and bottom trim, however, if you choose to install them, please follow these instructions carefully. Do not attempt to install the hood surround without reading these instructions carefully!

Contents:

1 x cleaning wipe, 2 x corner supports with screws

2 x hood side panels (11cm height), 1 x hood front panel (11cm height)

2 x bottom trim side pieces (2.5cm height), 1 x bottom trim front piece (2.5cm height)

Please note: There are 3 panels for the hood (front and sides) and 3 pieces of trim for the bottom trim (front and sides). There are no panels for the back of the aquarium.

Adhesive Tape: Surfaces must be clean, dry and dust / oil / grease free. Do not apply to surfaces below 5°C or above 35°C. DO NOT touch the exposed adhesive of the tape before or during application as to do so will impair adhesion. Tape MUST BE applied with maximum pressure in order to achieve maximum adhesion. Maximum adhesion is reached after 24 hours of curing at +23°C. At temperatures below this curing times will be longer.

Preparation:

We recommend you have a 'dry run' and practise aligning your panels before you start with the adhesive tape still covered up!

1. Ideally, make sure that your aquarium is ready installed on the aquarium cabinet in the position where it is supposed to stay. Once the trims are attached it will be more difficult to move the aquarium.
2. The 3 hood panels have 2 holes each drilled into them. **Insert the metal support pins supplied with the cabinet accessory pack.** The holes for the support pins are situated in the centre of the panels, therefore the panels can be installed either way up. There is no difference. The metal pins remain in place permanently.
3. **Use the cleaning wipe supplied to clean the area around the top and the bottom of the tank where the adhesive tape will be applied.** Wipe in one direction only. Let it dry before affixing the panels.

Affixing the panels:

4. **STOP! Do NOT remove the cover of the adhesive tape yet!**

5. To provide a temporary alignment guide only, one person will now hold the front panel in place (with the adhesive strip still covered) with the pins sitting on top of the glass and the panel being held flush against the front glass.
6. The second person will **now remove the protective cover off the adhesive tape of one of the SIDE PANELS and attach the side panel to the aquarium** whereby the pins should rest on top of the glass and the front end of the side panel should sit flush against the back of the front panel that the other person is holding in place. **Ensure you have no gaps between the two panels and that the side panel is not pushing the front panel away from the glass.**

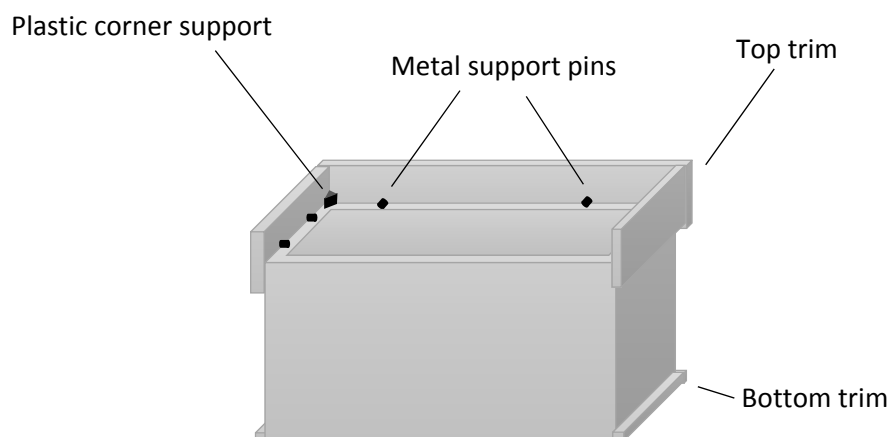
MAKE SURE THAT YOU ARE PERFECTLY HAPPY WITH THE ALIGNMENT BEFORE YOU MAKE CONTACT BETWEEN THE STICKY TAPE AND THE GLASS. IT WILL NOT COME OFF AGAIN ONCE ATTACHED!

Push the side panel firmly (the higher the pressure, the better the bond) against the glass for at least a minute to ensure a good bond.

7. **Repeat with second side panel on the other side of the aquarium.**
8. **Now remove the cover off the adhesive strip on the front panel.**
9. **Align the panel (without touching the glass)** so that it is perfectly central and the pins are resting on the glass. **Once you are happy with the alignment push the panel against the glass** and hold it in place for at least a minute to ensure a good bond.
10. Repeat step 4 to 9 for the bottom trim.

Install the corner supports:

11. Place the corner support in the corner between the front top panel and the side top panel so that it sits snugly in the corner and rests on the glass.
12. Secure the corner support with the screws supplied whilst applying pressure from the other side of the panel.
13. Close the cover of the corner support.



View from the back