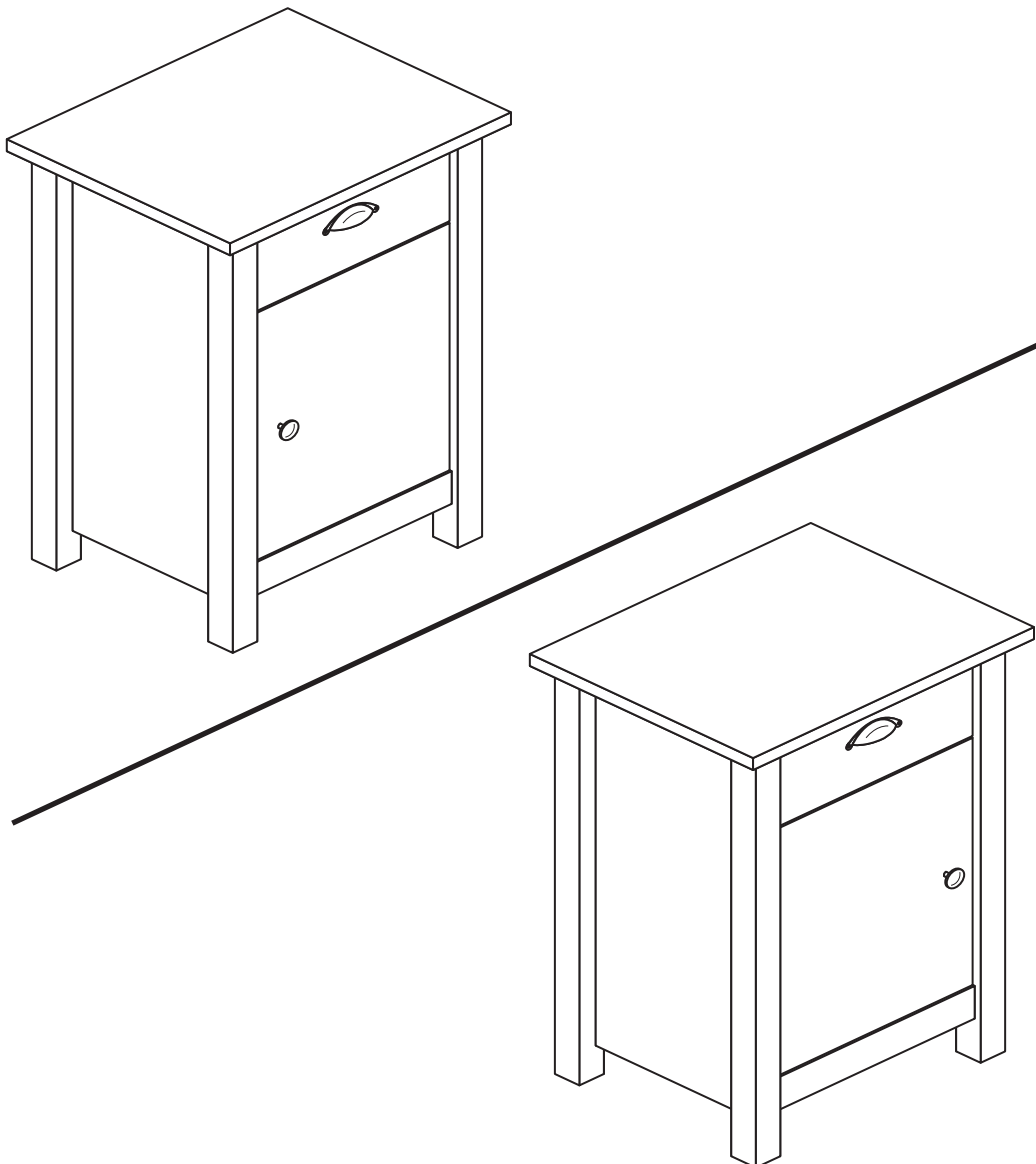


Assembly Instructions

Please keep for future reference



Shades 1+1 Cabinet



Version 1 : 07/12/2018

Important - Please read these instructions fully before starting assembly

ALR3507

Safety and Care Advice

Important - Please read these instructions fully before starting assembly

- Warning: This unit is heavy. Please lift with care.

- Check you have all the components and tools listed.

- Remove all fittings from the plastic bags and separate them into their groups.

- Keep children and animals away from the work area, small parts could choke if swallowed.

- Parts of the assembly will be easier with 2 people.

- Make sure you have enough space to layout the parts before starting.

- Assemble the item as close to its final position (in the same room) as possible.

- Assemble on a soft level surface to avoid damaging the unit or your floor (use opened out unit carton).



as this could damage the unit. Only use hand screwdrivers.

- We do not recommend the use of power drill/drivers for inserting screws,

- **Safety note: This unit must be secured to a wall using the overbalance protector kits supplied.**

- Dispose of all packaging carefully and responsibly.

Care and maintenance

- Only clean using a damp cloth and mild detergent, do not use bleach or abrasive cleaners.

- From time to time check that there are no loose screws on this unit.

- This product should not be discarded with household waste. Take to your local authority waste disposal centre.

Contact Us

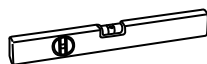
Aqua Pacific UK Ltd.
Unit 10, Oriana Way
Nursling Industrial Estate
Southampton
SO16 0YU

Tel +44 (0) 2380 734000
Fax +44 (0) 2380 740200
Sales@aquapacific.co.uk

Tools



Rule



Spirit level



Cross-head screwdriver



Scissors



Hammer



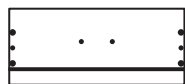
Eye protection (when using a hammer or drill)



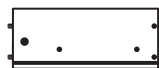
Electric drill (do not use for fitting screws)

Panels

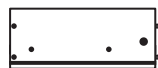
Please check you have all the panels listed below



1 Drawer Front
(DF-00015635)
(36.2 x 15.7cm)



2 Left Drawer Side
(W300-124LH)
(30 x 12.4cm)



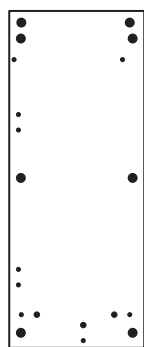
3 Right Drawer Side
(W300-124RH)
(30 x 12.4cm)



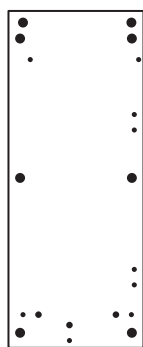
4 Drawer Back
(W326-124)
(32.6 x 12.4cm)



5 Drawer Base
(T337-297)
(33.7 x 29.7cm)



6 Left Side
(DF-00014969)
(69.6 x 27.9cm)



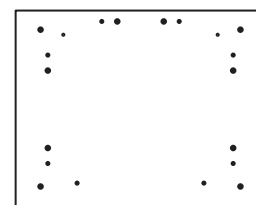
7 Right Side
(DF-00014970)
(69.6 x 27.9cm)



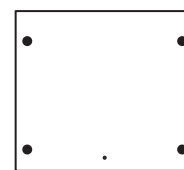
8 Rail (DF-00015638)
(36.8 x 6cm)



9 Support Rail (DF-00015641)
(36.8 x 6cm)



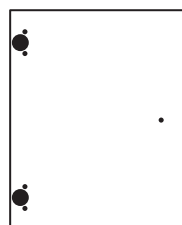
10 Top (DF-00015636)
(51.6 x 41cm)



11 Base (DF-00015637)
(36.8 x 33cm)



12 Back (DF-00015639)
(75.5 x 24.4cm)



13 Door (DF-00014967)
(45.4 x 36.2cm)



14 Left Leg
(DF-00014966)
(75.5 x 4.5cm x 4.5cm)
x 2

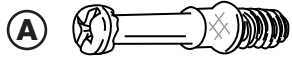


15 Right Leg
(DF-00014978)
(75.5 x 4.5cm x 4.5cm)
x 2

Fittings

Please check you have all the fittings listed below

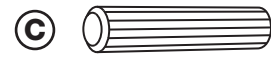
Bag 1



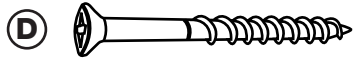
Large Metal Dowel (F901) x 26



Large Locking Cam Nut (F900) x 26



Wooden Dowel (F22) x 26



45mm Screw (F65) x 2



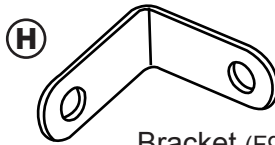
Door Stop (F464) x 1



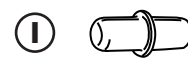
9mm Screw (F73) x 4



13mm Screw (F79) x 2



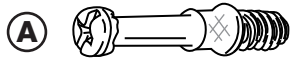
Bracket (F945) x 1



Shelf stud (F110) x 6

★ These are for fixing the Hood.
See separate instructions for fitting details.

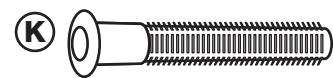
Bag 2



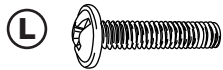
Large Metal Dowel (F901) x 2



Small Locking Cam Nut (F900) x 2



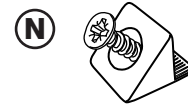
Knock-in Peg (F171GY) x 4



19mm Screw (F461) x 3

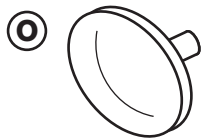


9mm Screw (F74) x 2



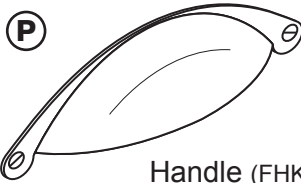
Wedgefix (F639) x 2

Individual Bags

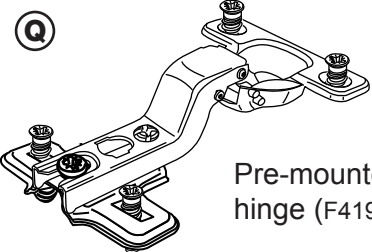


Handle (FHK9) x 1

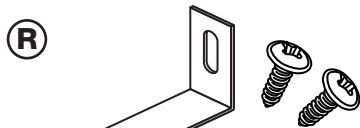
DO NOT USE the Screws supplied with the Handles



Handle (FHK7) x 1



Pre-mounted hinge (F419) x 2



Overbalance protector kit (F474) x 2



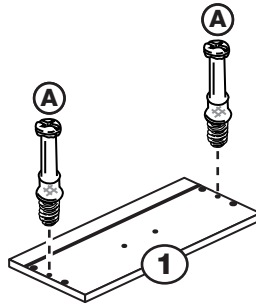
Drawer runner (F1004) x 2

Step 1

Prepare the Drawer Front

Screw 2 Metal Dowels into the Drawer Front.

Note: Tighten the Metal Dowels up fully against the panel.

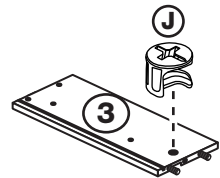
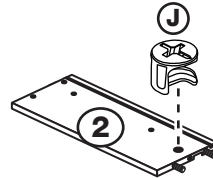
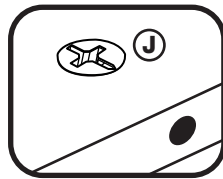


Step 2

Prepare the Drawer Sides

Insert a Small Locking Cam Nut into the Left Drawer Side and the Right Drawer Side.

Note: The arrow on the Small Locking Cam Nut must point towards the hole in the edge of the panel.



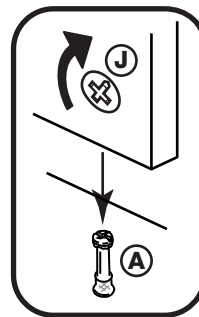
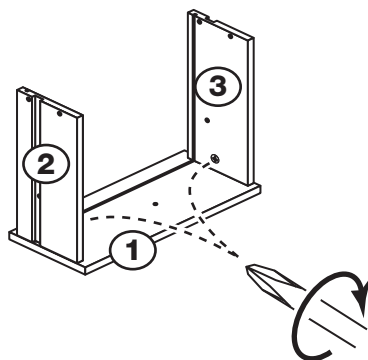
Step 3

Attach the Drawer Sides to the Drawer Front

Push the Drawer Side onto the back of the Drawer Front.

Turn the Small Locking Cam nuts on the Drawer Side.

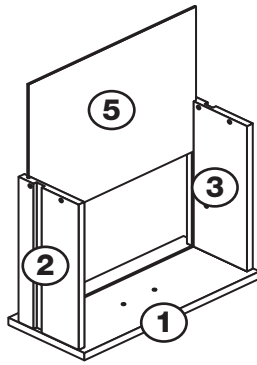
Note: Turn the Small Locking Cam nuts clockwise to secure the panels - more than 1/2 a turn.



Step 4

Fit the Drawer Base

Slide the Drawer Base down the grooves in the Drawer Sides and down into the groove in the Drawer Front.



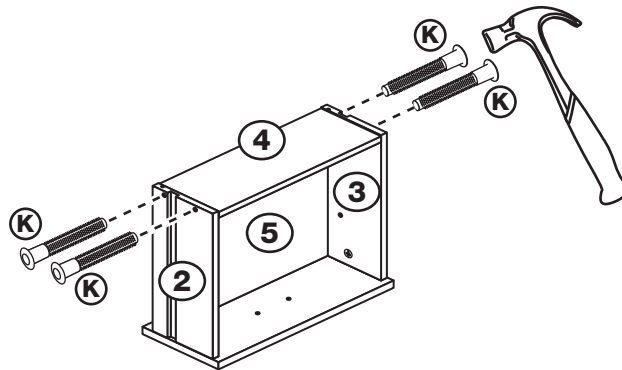
Step 5

Fit the Drawer Back

Fit the Drawer Back between the Drawer Sides.

Make sure that the Drawer Base fits into the groove in the Drawer Back.

Hold the Drawer Back in position and tap the Knock-in Pegs through the holes in the Drawer Sides.

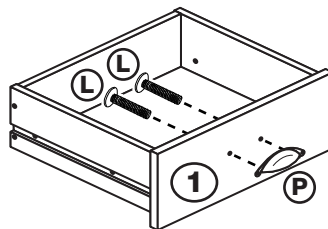


Step 6

Attach the Handle

Attach the Handle to the Drawer Front using two 19mm Screws.

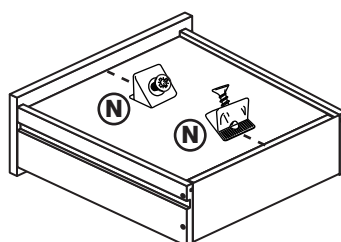
DO NOT USE the Screws supplied with the Handle



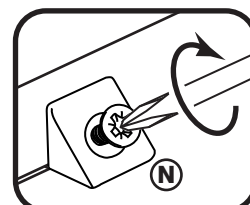
Step 7

Fit the Wedgefixes

Turn the drawer assembly over and slide 2 Wedgefixes into the front and back grooves, as shown, and tighten up the screws.



The Drawer assembly must be square before fitting the wedgefixes



Step 8

Prepare the Left Side

a: Tap 6 Dowels into the Left Side.

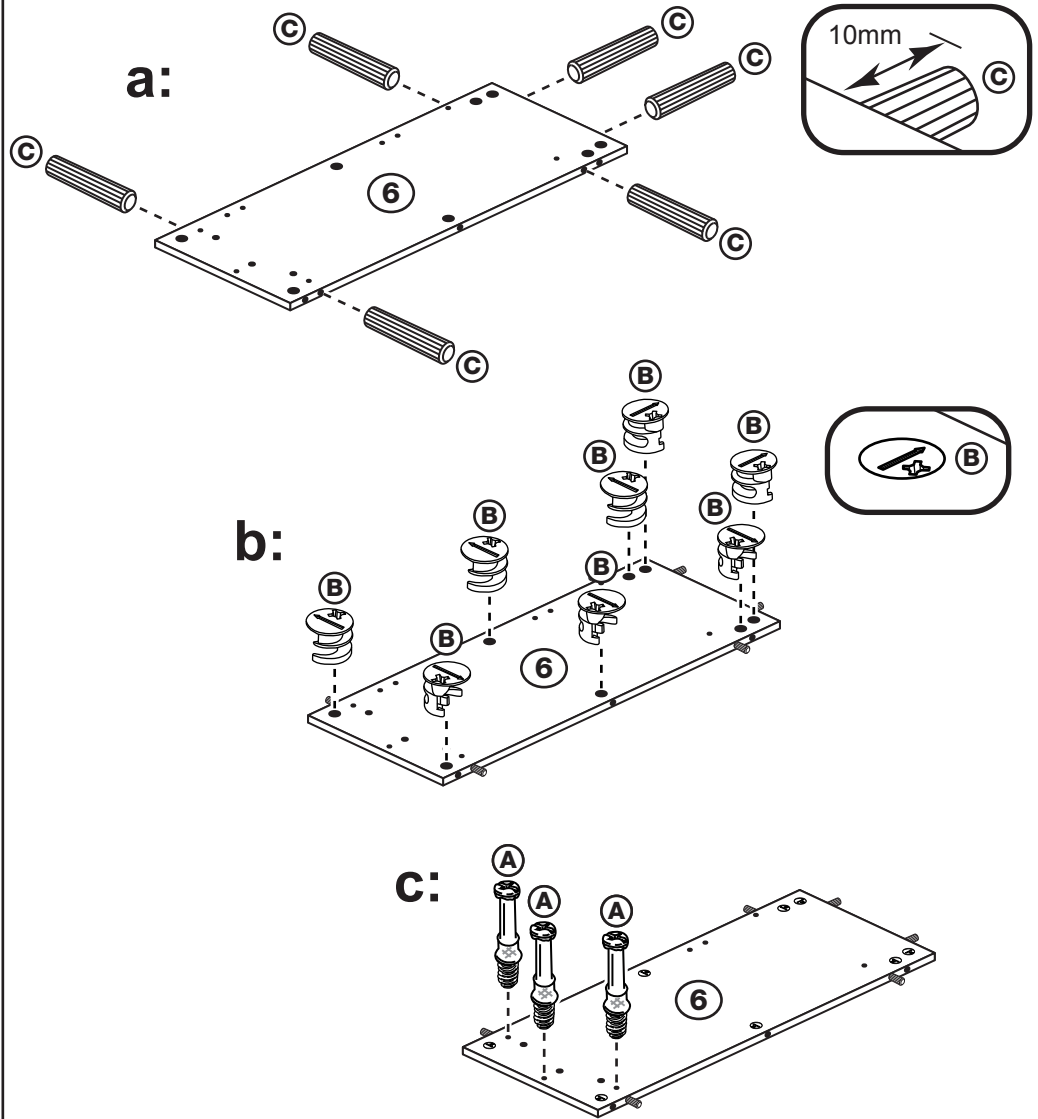
Note: Wooden Dowels must not stick out from the edge by more than 10mm or they may damage other panels.

b: Insert 8 Large Locking Cam Nuts into the Left Side.

Note: The arrow on the Large Locking Cam Nut must point towards the hole in the edge of the panel.

c: Screw 3 Metal Dowels into the Left Side.

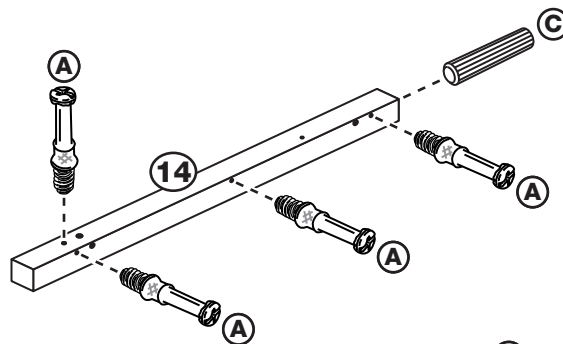
Use Bag 1 for steps 8 - end



Step 9

Prepare a Left Leg

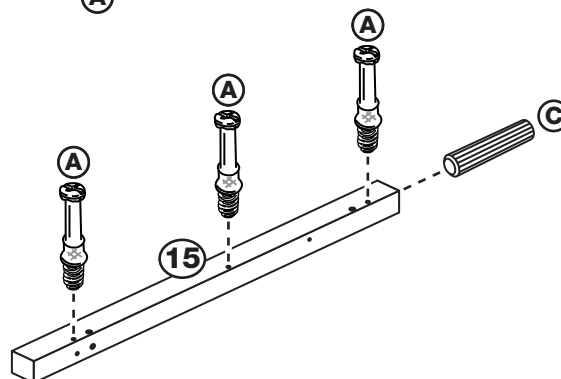
Screw 4 Metal Dowels into 1 of the Left Legs and tap in a Wooden Dowel.



Step 10

Prepare a Right Leg

Screw 3 Metal Dowels into 1 of the Right Legs and tap in a Wooden Dowel.



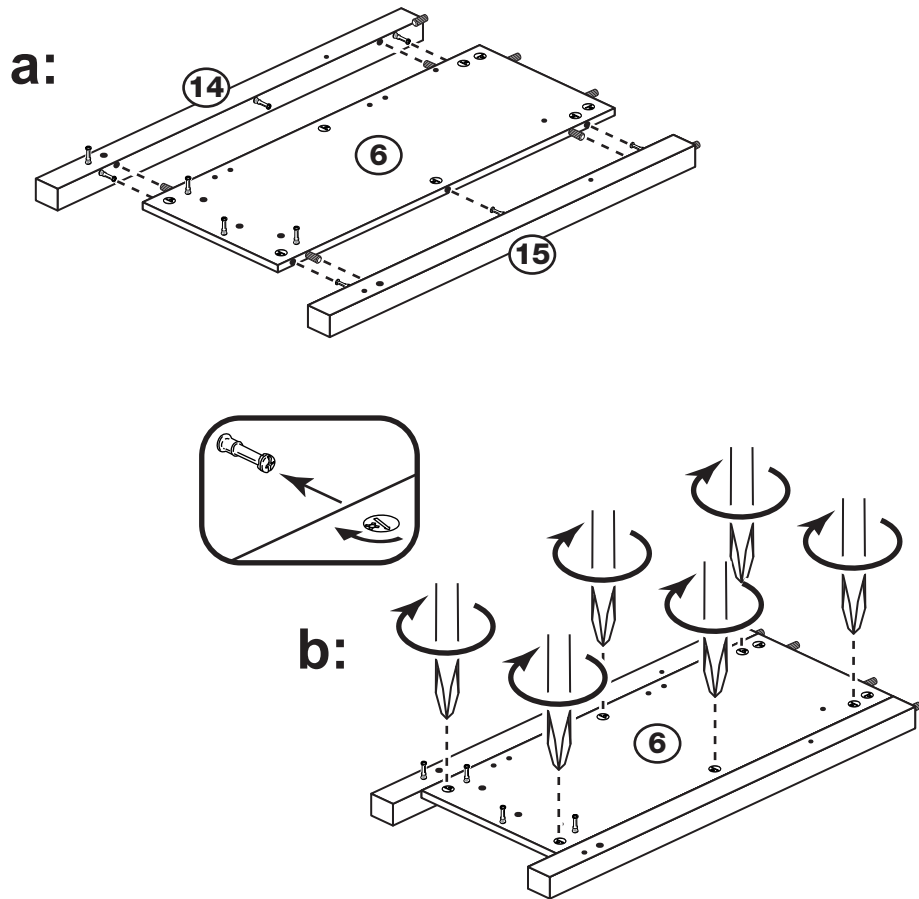
Step 11

Fit the Legs to the Left Side

a: Push the 2 Legs onto the Left Side.

b: Use a screwdriver to tighten the 6 Large Locking Cam Nuts fitted to the Left Side.

Note: Turn the Locking Cam Nuts as far as they will go - more than 1/2 a turn.

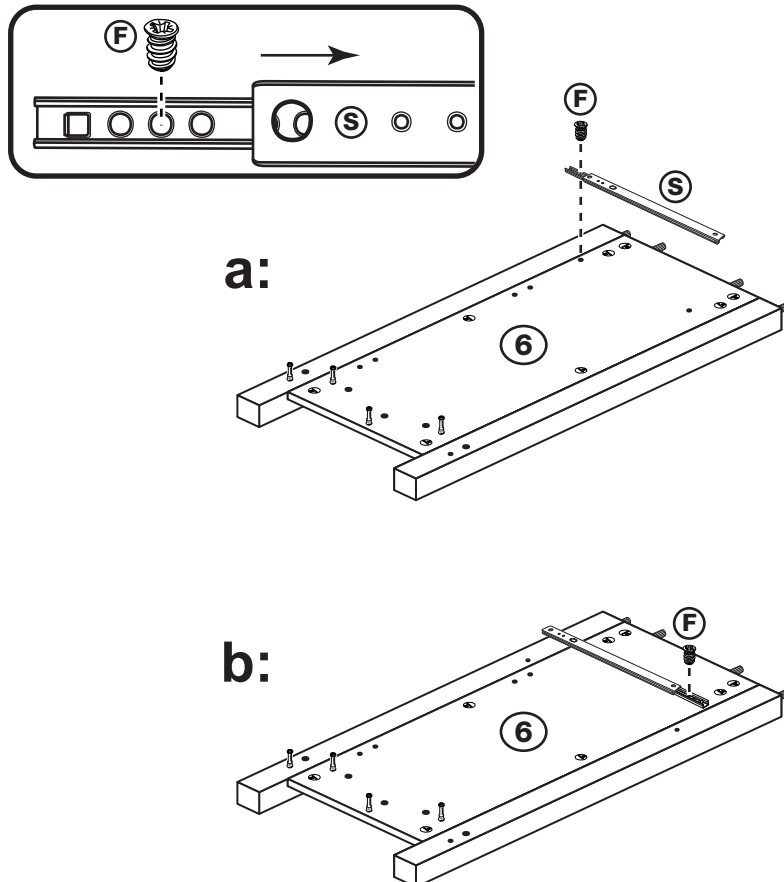


Step 12

Fit a Runner to the Left Side

a: Place a Runner on the Left Side, as shown. Slide back the top of Runner and use the 2nd hole from the front to fit the 1st 9mm Screw.

b: Slide the Runner back the other way and fit the 2nd 9mm Screw into the corresponding hole in the Left Side.



Step 13

Prepare the Right Side

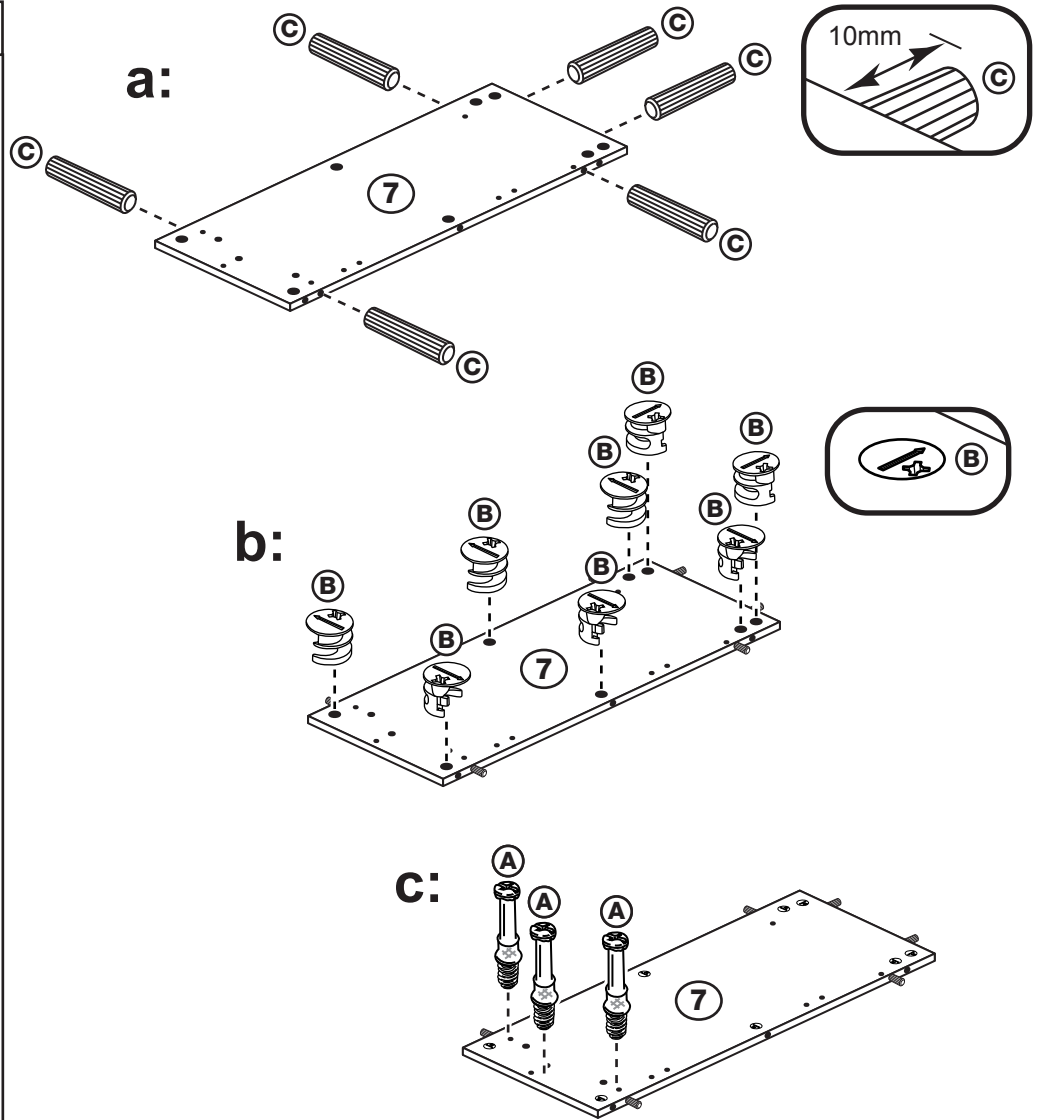
a: Tap 6 Dowels into the Right Side.

Note: Wooden Dowels must not stick out from the edge by more than 10mm or they may damage other panels.

b: Insert 8 Large Locking Cam Nuts into the Right Side.

Note: The arrow on the Large Locking Cam Nut must point towards the hole in the edge of the panel.

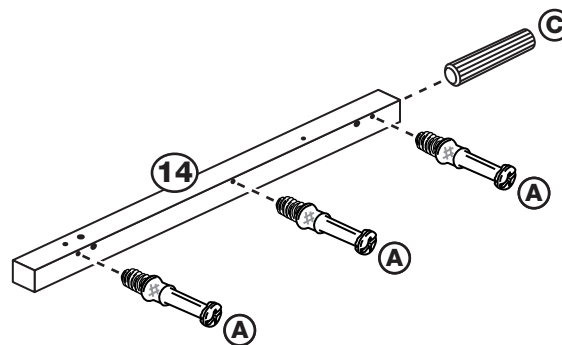
c: Screw 3 Metal Dowels into the Right Side.



Step 14

Prepare a Left Leg

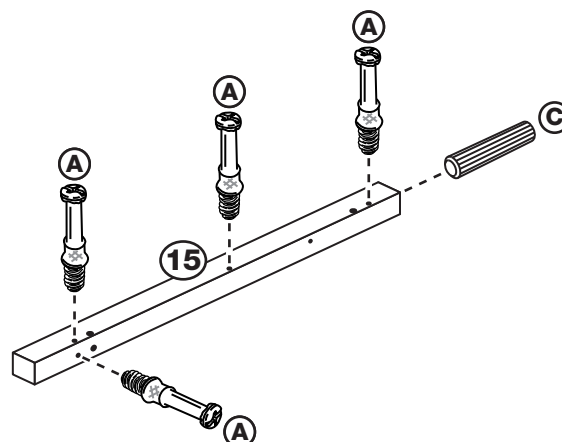
Screw 3 Metal Dowels into 1 of the Left Legs and tap in a Wooden Dowel.



Step 15

Prepare a Right Leg

Screw 4 Metal Dowels into 1 of the Right Legs and tap in a Wooden Dowel.



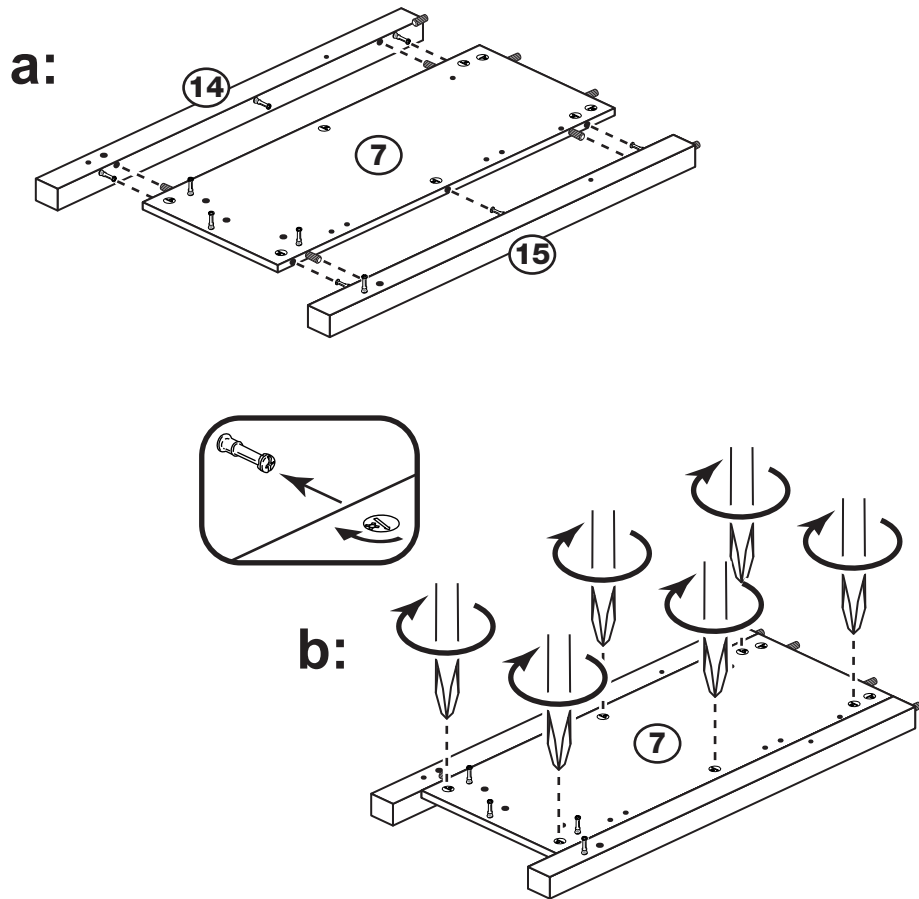
Step 16

Fit the Legs to the Right Side

a: Push the 2 Legs onto the Right Side.

b: Use a screwdriver to tighten the 6 Large Locking Cam Nuts fitted to the Right Side.

Note: Turn the Locking Cam Nuts as far as they will go - more than 1/2 a turn.

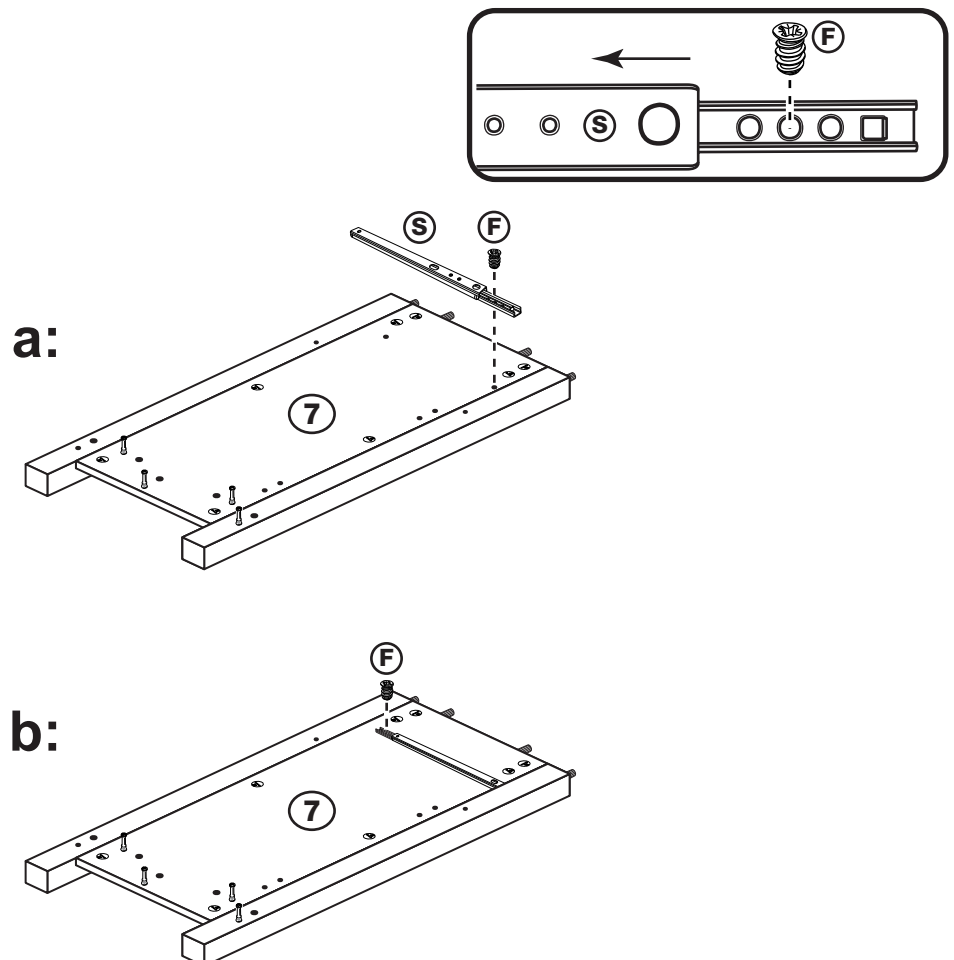


Step 17

Fit a Runner to the Right Side

a: Place a Runner on the Right Side, as shown. Slide back the top of Runner and use the 2nd hole from the front to fit the 1st 9mm Screw.

b: Slide the Runner back the other way and fit the 2nd 9mm Screw into the corresponding hole in the Right Side.



Step 18

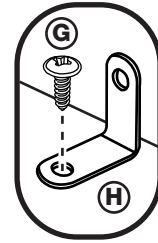
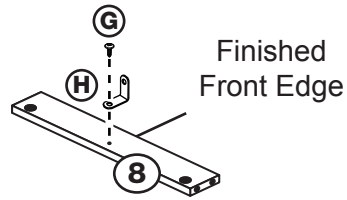
Prepare the Rail

a: Fit the Bracket to the mark-hole in the Rail using a 13mm Screw.

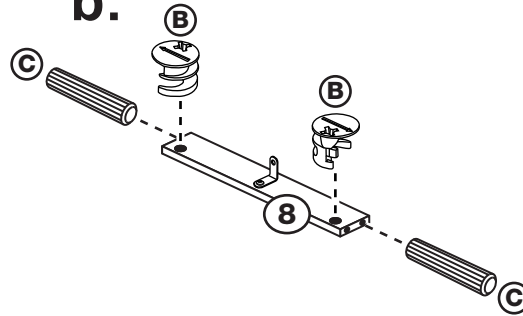
b: Tap 2 Wooden Dowels into the Rail.

Insert 2 Large Locking Cam Nuts into the Rail.

a:



b:

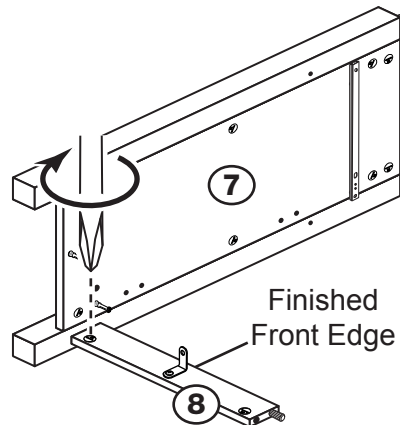


Step 19

Fit the Rail to the Right Side

Push the Rail onto the Right Side.

Use a screwdriver to tighten the Large Locking Cam Nuts fitted to the Rail.

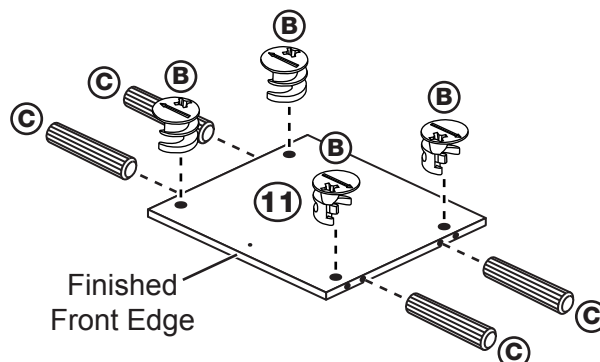


Step 20

Prepare the Base

Tap 4 Wooden Dowels into the Base.

Insert 4 Large Locking Cam Nuts into the Base.



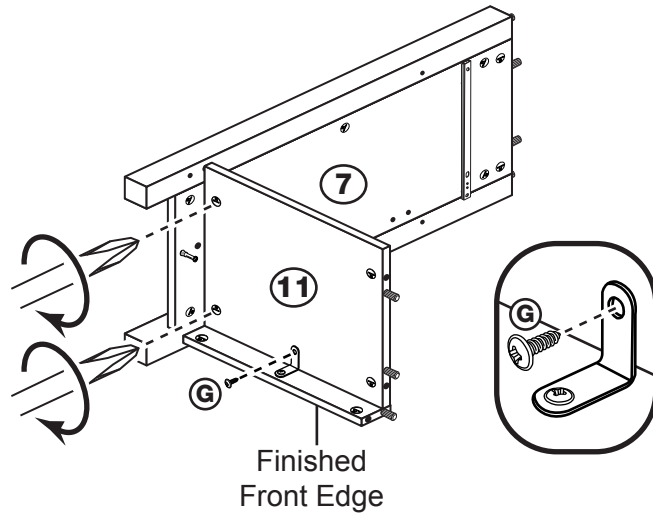
Step 21

Fit the Base to the Right Side

Push the Base onto the Right Side.

Use a screwdriver to tighten the 2 Large Locking Cam Nuts fitted to the Base.

Secure the Bracket on the Rail to the mark-hole in the Base using a 13mm Screw.

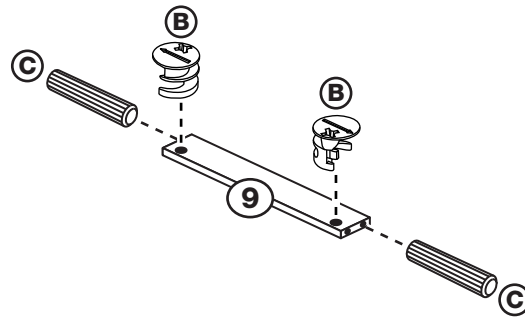


Step 22

Prepare the Support Rail

Tap 2 Wooden Dowels into the Support Rail.

Insert 2 Large Locking Cam Nuts into the Support Rail.

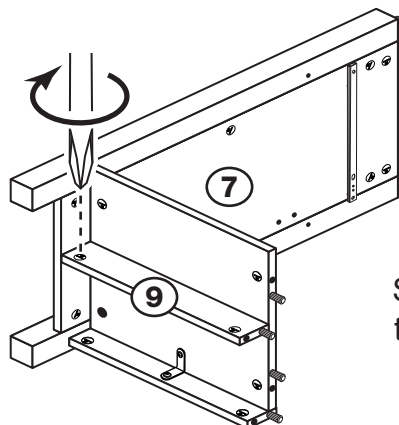


Step 23

Fit the Support Rail

Push the Support Rail onto the Right Side.

Use a screwdriver to tighten the Large Locking Cam Nut fitted to the Support Rail.



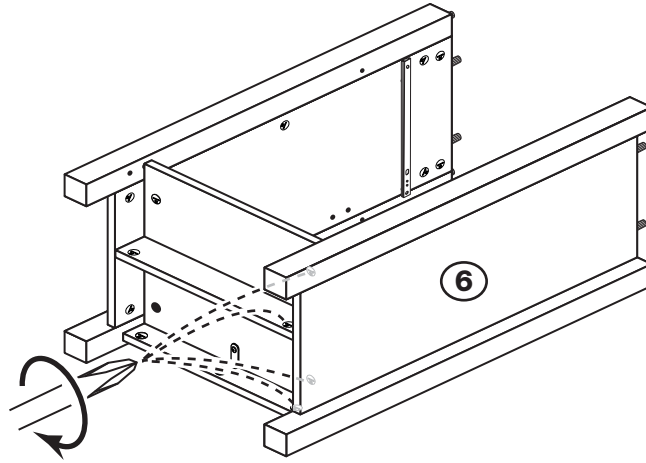
Support the Support Rail until the Left Side has been fitted

Step 24

Fit the Left Side

Push the Left Side onto the assembly.

Use a screwdriver to tighten the 4 Large Locking Cam Nuts fitted to the Base, Rail and Support Rail.



Step 25

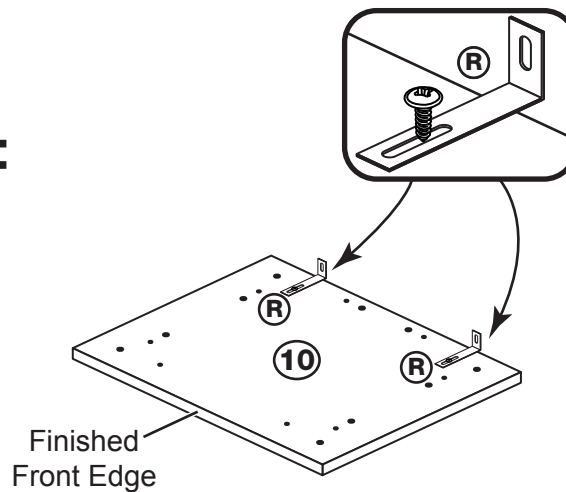
Prepare the Top

a: Fit the 2 Brackets from the Overbalance Protector Kits to the shallow mark-holes drilled into the Top using 1 of their Screws.

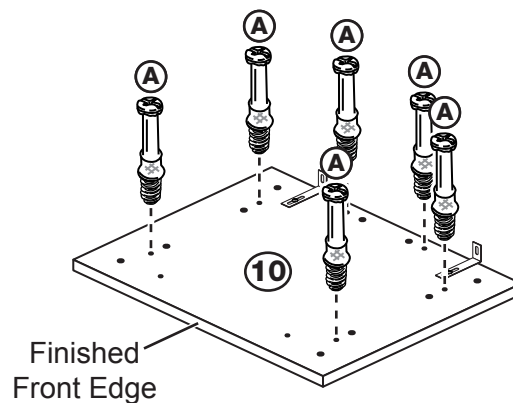
Note: Only fit 1 of the Screws, the other 1 will be fitted later.

b: Screw 6 Metal Dowels into the Top.

a:



b:



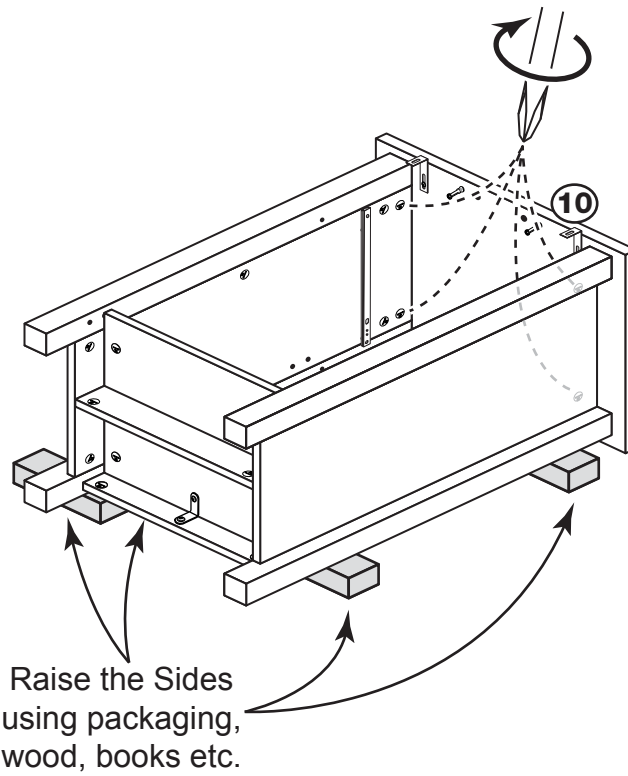
Step 26

Fit the Top

To make the fitting of the Top easier, raise the assembly as shown.

Push the Top onto the assembly.

Use a screwdriver to tighten the 4 Locking Cam Nuts fitted to the Sides.

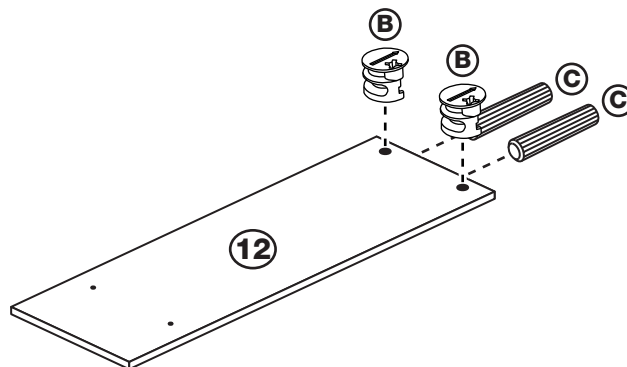


Step 27

Prepare the Back

Tap 2 Wooden Dowels into the Back.

Insert 2 Large Locking Cam Nuts into the Back.



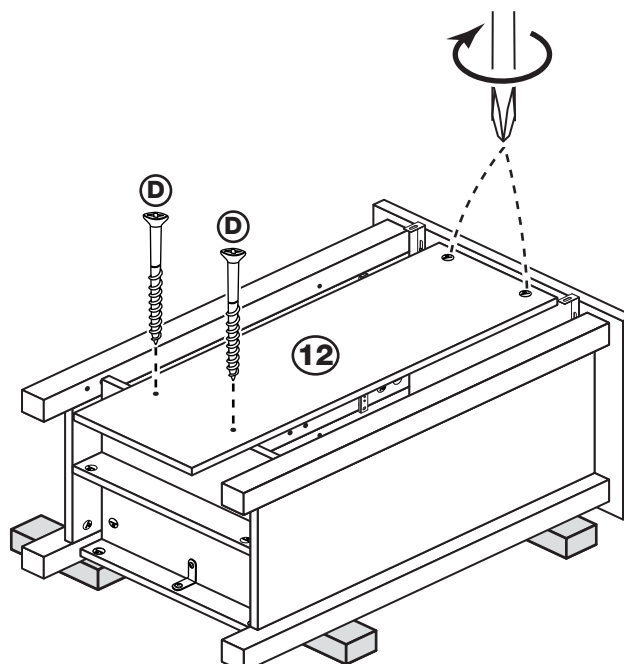
Step 28

Fit the Back

Push the Back up onto the Top.

Use a screwdriver to tighten the 2 Large Locking Cam Nuts fitted to the Back.

Fix the Back to the back edge of the Base with two 45mm Screws.



Step 29

Secure the unit to a wall

a: Before fitting the unit to a wall, use a Spirit Level to check the Top of the unit is level, front-to-back and side-to-side in the 3 positions shown. Use suitable packing pieces (not supplied) to make the unit level.

To prevent possible overbalancing this unit must be secured to a suitable wall by fitting the 2 Overbalance Protector Kits to a wall.

b: Push the unit up against the wall and slide the Brackets against the wall. Fit the 2nd Screw from the kits into the underside of the Top panel.

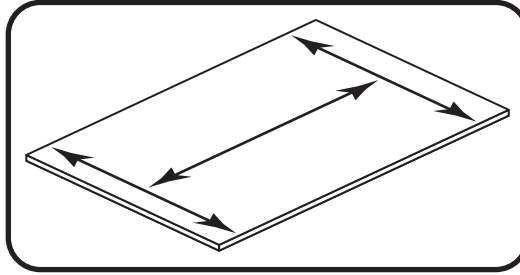
Mark the slot at the back of the Brackets for drilling into the wall.

Wall fixings are not supplied as they will need to suit the wall type.

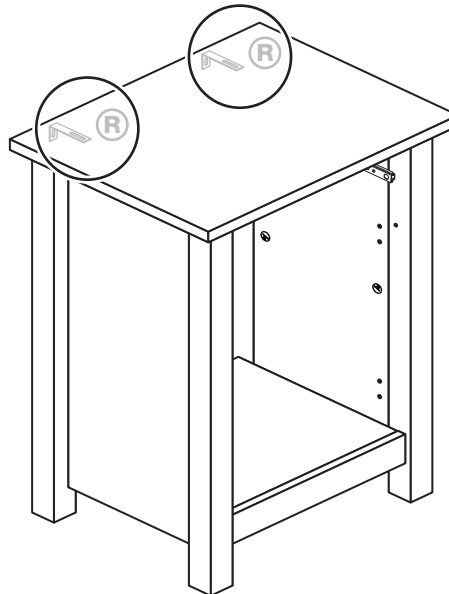
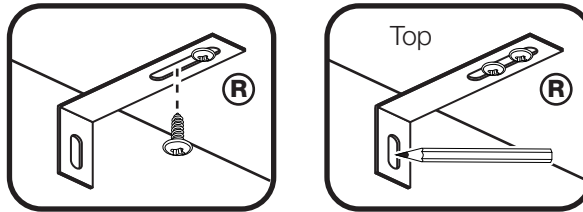
Take care when drilling the wall that you do not drill into any pipes, wires etc. If in doubt, consult an expert.

This unit must be fixed to a wall using the 2 Overbalance Protector Kits provided

a:



b:



Step 30

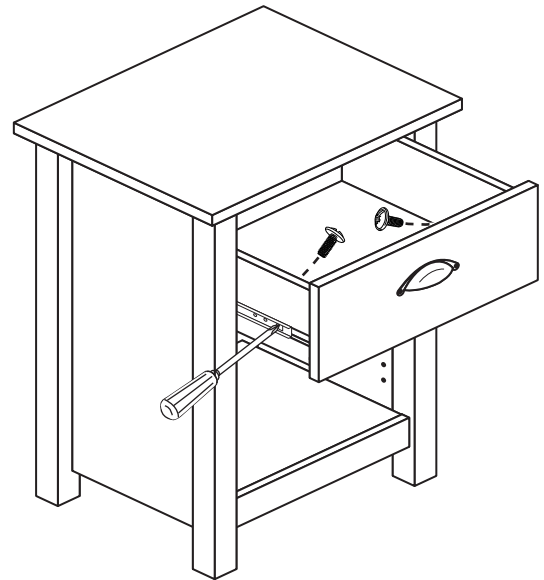
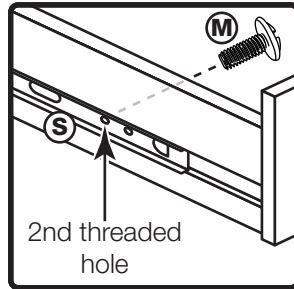
Fit the Drawer

Slide both the Runners forward and locate the Drawer Sides between them, lining up their holes with the 2nd 'threaded' holes in the Runners.

Working from the inside of the Drawer, insert 2 9mm Screws through the Drawer Sides and out into the 2nd threaded hole in the Runner.

Note: Do not overtighten the Screws. If they catch on the Runners you may need to loosen them slightly.

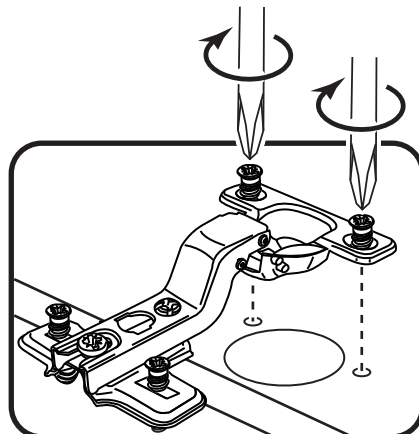
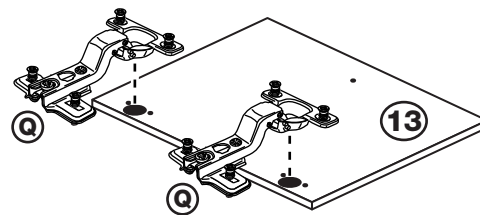
The Runners could have sharp edges and we recommend that you position them using a Screwdriver.



Step 31

Prepare the Door

Push fit 2 Hinges into the Door and secure them by tightening up their 2 screws.



Step 32

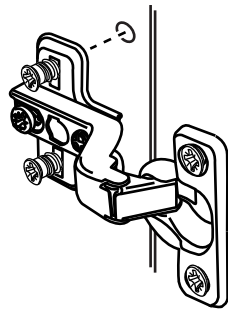
Fit the Door

NOTE: The Door can be fitted to either side.

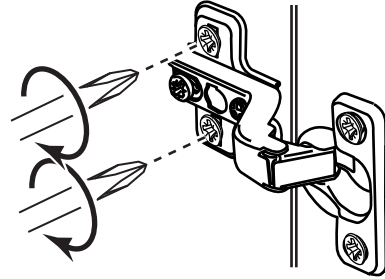
Line up the 2 screws in the top Hinge with the 2 holes at the top of the Sides and push them in.

Now push in the other Hinge.

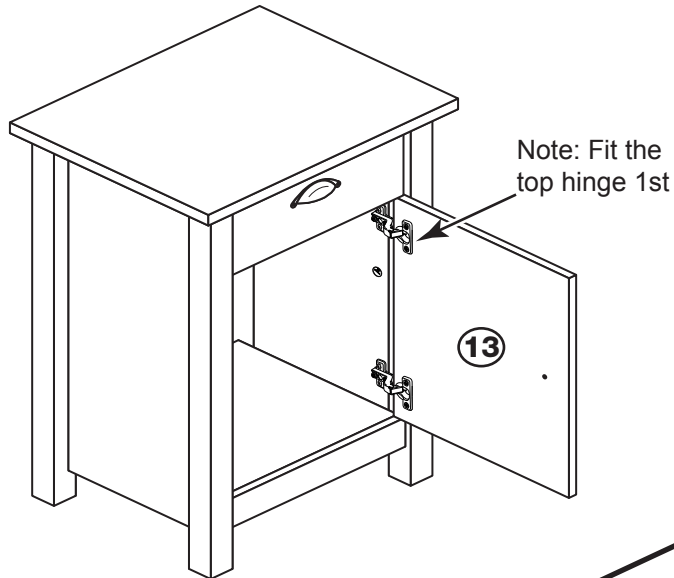
When both of the Hinges have been pushed into place, tighten their 2 screws.



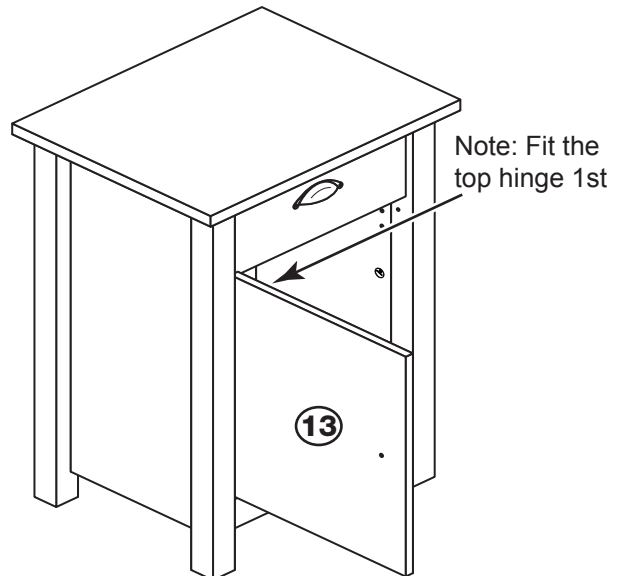
Press the Screws into the holes in the panels



When the Hinges have been pushed in, tighten up their Screws



OR

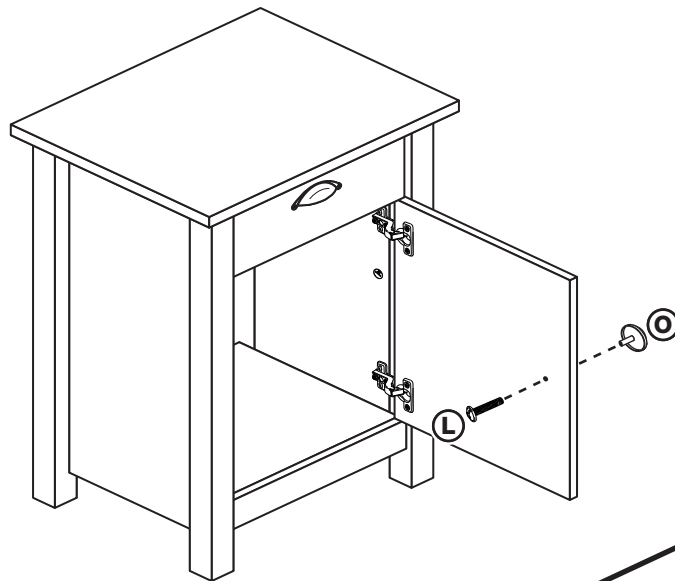


Step 33

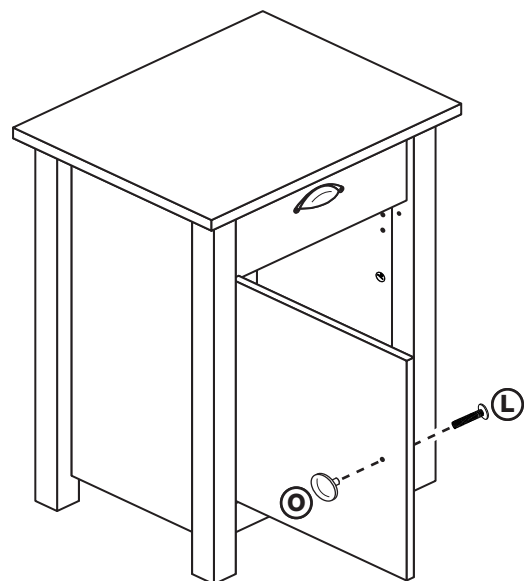
Fit the Handle

Attach a Handle to the Door using a 19mm Screw.

DO NOT USE the Screw supplied with the Handle



OR



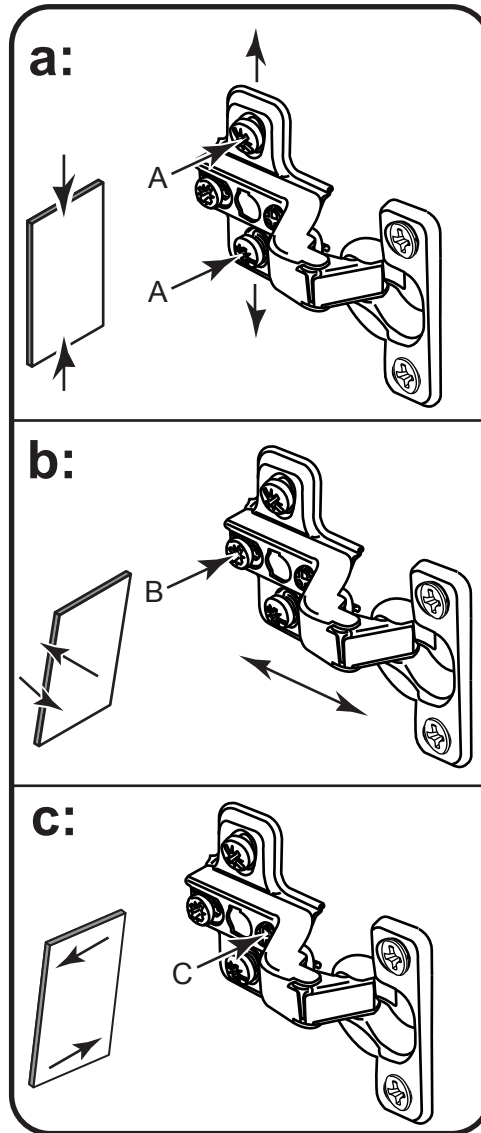
Step 34

Adjust the Door if needed

a: Height adjustment.
Loosen Screws A on Hinge Plates and move Door up or down as required.
Retighten Screw A.

b: Forward and Back adjustment.
Loosen Screw B on Hinge Plate and move Door in or out as required.
Retighten Screw B.

c: Sideways adjustment.
To move Door 'out' loosen Screw C.
To move Door 'in' tighten Screw C.



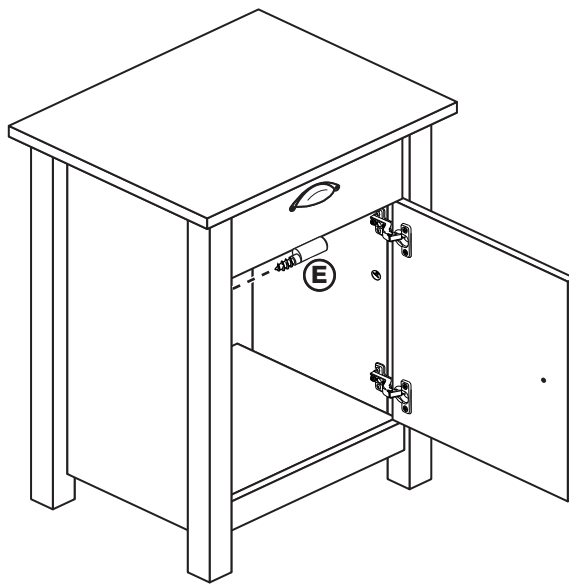
Step 35

Fit the Door Stop

Screw the Door Stop into the Leg, as shown.

The position of the Door can be adjusted by turning the Door Stop clockwise or anti-clockwise.

Assembly is complete



OR

