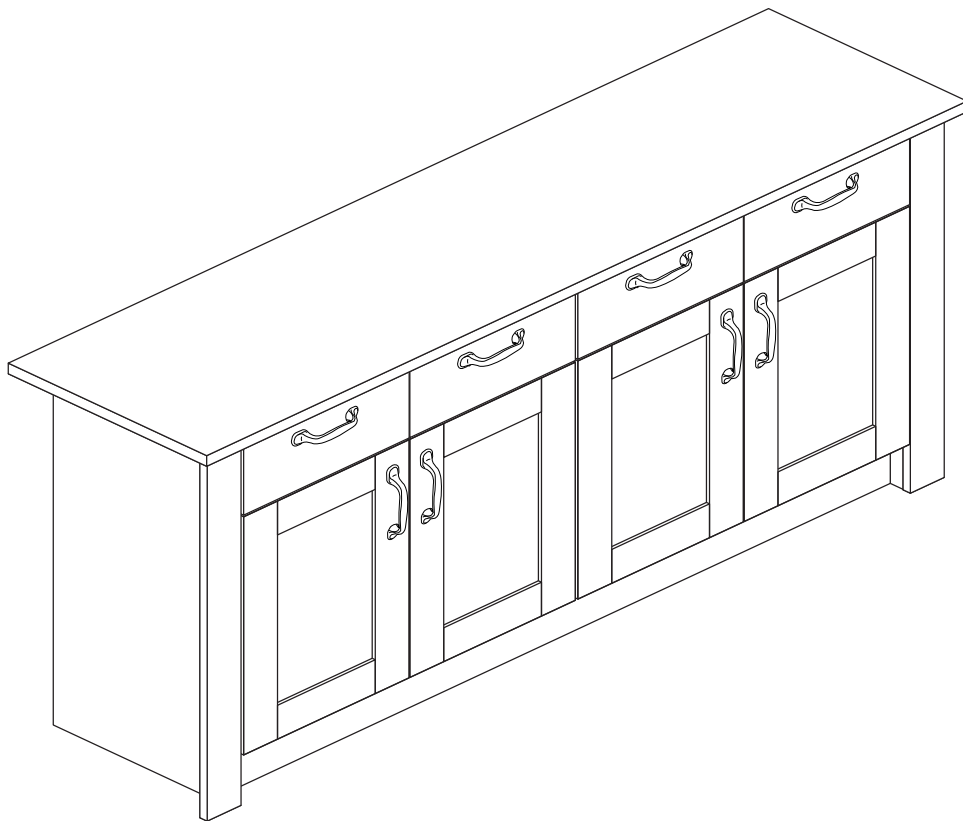


# Assembly Instructions

Please keep for future reference



## Oakstyle 300



Version 1 : 06/08/2018

Important - Please read these instructions fully before starting assembly

ALR3483

# Safety and Care Advice

**Important - Please read these instructions fully before starting assembly**

- Warning: This unit is heavy. Please lift with care.

- Check you have all the components and tools listed.

- Remove all fittings from the plastic bags and separate them into their groups.

- Keep children and animals away from the work area, small parts could choke if swallowed.

- Parts of the assembly will be easier with 2 people.

- Make sure you have enough space to layout the parts before starting.

- Assemble the item as close to its final position (in the same room) as possible.

- Assemble on a soft level surface to avoid damaging the unit or your floor (use opened out unit carton).



as this could damage the unit. Only use hand screwdrivers.

- **Safety note: This unit must be secured to a wall using the overbalance protector kits supplied.**

- Dispose of all packaging carefully and responsibly.

## Care and maintenance

- Only clean using a damp cloth and mild detergent, do not use bleach or abrasive cleaners.

- From time to time check that there are no loose screws on this unit.

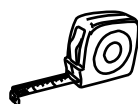
- This product should not be discarded with household waste. Take to your local authority waste disposal centre.

## Contact Us

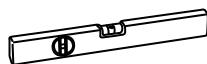
Aqua Pacific UK Ltd.  
Unit 10, Oriana Way  
Nursling Industrial Estate  
Southampton  
SO16 0YU

Tel +44 (0) 2380 734000  
Fax +44 (0) 2380 740200  
Sales@aquapacific.co.uk

### Tools



Rule



Spirit level



Cross-head screwdriver



Scissors



Hammer



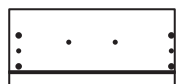
Eye protection (when using a hammer or drill)



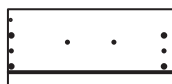
Electric drill (do not use for fitting screws)

# Panels

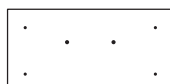
Please check you have all the panels listed below



**1** Left Drawer Front (DF-00011548)  
(34.2 x 16.2cm)



**2** Right Drawer Front (DF-00011549)  
(34.2 x 16.2cm)



**3** Centre Drawer Front (DF-00014069)  
(34.2 x 16.2cm) x 2



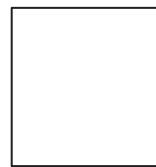
**4** Left Drawer Side (W330-124LH)  
(33 x 12.4cm) x 2



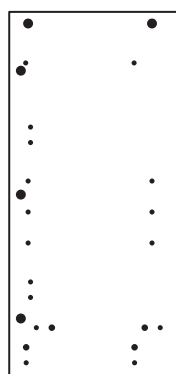
**5** Right Drawer Side (W330-124RH)  
(33 x 12.4cm) x 2



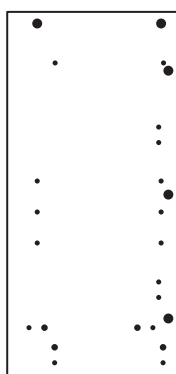
**6** Drawer Back (W303-124)  
(30.3 x 12.4cm) x 2



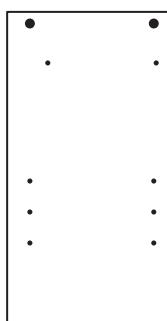
**7** Drawer Base (T314-327)  
(31.4 x 32.7cm) x 2



**8** Left Side (DF-00011541)  
(75.5 x 35.7cm)



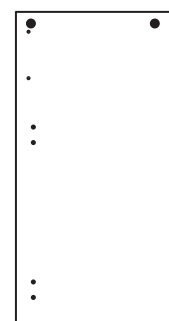
**9** Right Side (DF-00011542)  
(75.5 x 35.7cm)



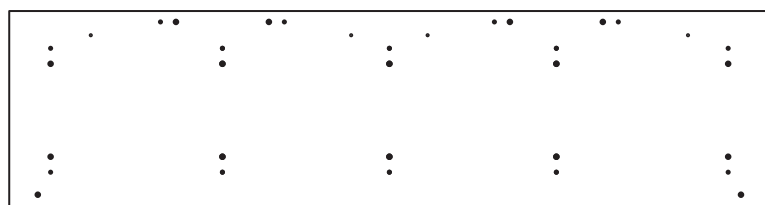
**10** Left Divider (DF-00015030)  
(64.5 x 33.4cm)



**11** Right Divider (DF-00015031)  
(64.5 x 33.4cm)



**12** Centre Divider (DF-00014070)  
(64.5 x 33.4cm)



**13** Top (DF-00014064)  
(157.1 x 41cm)



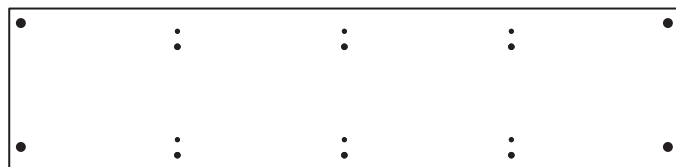
**16** Fascia (F755-70)  
(75.5 x 7cm) x 2



**17** Shelf (DF-00011545)  
(33.6 x 33.2cm) x 2



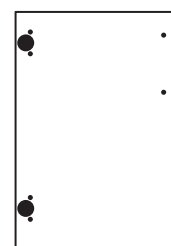
**19** Left Door (F492-342LH)  
(492 x 342mm) x 2



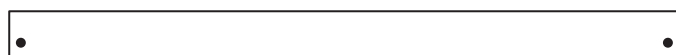
**14** Base (DF-00014065)  
(138.5 x 33.4cm)



**18** Back (DF-00011550)  
(75.5 x 39.6mm) x 2



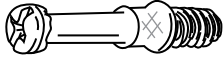






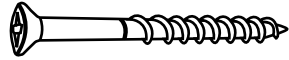








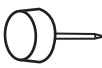
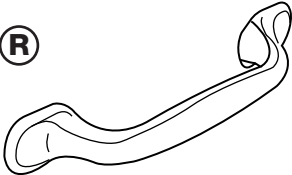
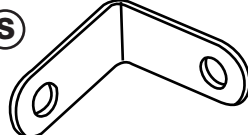


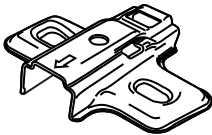
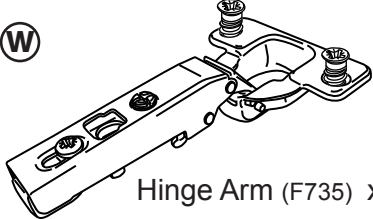
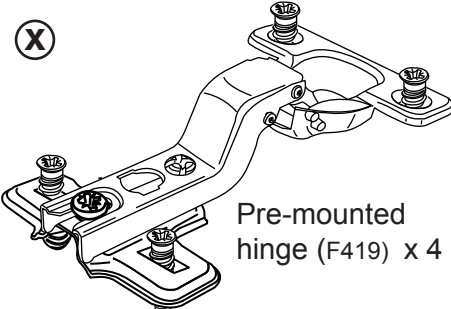

**20** Right Door (F492-342RH)  
(492 x 342mm) x 2



**15** Plinth (DF-00014066)  
(138.5 x 9.5cm) x 2

# Fittings

Please check you have all the fittings listed below

<p><b>A</b> </p> <p>Large Metal Dowel (F901) x 26</p>	<p><b>B</b> </p> <p>Small Locking Cam Nut (F900) x 4</p>	<p><b>C</b> </p> <p>Knock-in Peg (F171GY) x 8</p>	
<p><b>D</b> </p> <p>10mm Locking cam nut (F607) x 6</p>	<p><b>E</b> </p> <p>12mm Locking Cam Nut (F900) x 22</p>	<p><b>F</b> </p> <p>Wooden Dowel (F22) x 30</p>	
<p><b>G</b> </p> <p>40mm Screw (F910) x 6</p>	<p><b>H</b> </p> <p>45mm Screw (F65) x 4</p>	<p><b>I</b> </p> <p>19mm Screw (F461) x 16</p>	
<p><b>J</b> </p> <p>9mm Screw (F74) x 4</p>	<p><b>K</b> </p> <p>9mm Screw (F73) x 8</p>	<p><b>L</b> </p> <p>13mm Screw (F52) x 8</p>	<p><b>M</b> </p> <p>13mm Screw (F79) x 16</p>
<p><b>N</b> </p> <p>Shelf stud (F110) x 14</p> <p>★ 6 of these are required for Hood fixing. See separate instructions for fitting details.</p>	<p><b>O</b> </p> <p>Wedgefix (F639) x 4</p>	<p><b>P</b> </p> <p>Door Buffer (F137) x 20</p>	<p><b>Q</b> </p> <p>Plastic Nail (F91) x 16</p>
<p><b>R</b> </p> <p>Handle (F287) x 8</p>	<p><b>S</b> </p> <p>Bracket (F945) x 8</p>	<p><b>T</b> </p> <p>Overbalance protector kit (F474) x 4</p>	
<p><b>U</b> </p> <p>Quickfit dowel (F545) x 6</p>	<p><b>V</b> </p> <p>Hinge Plate (F553) x 4</p>	<p><b>W</b> </p> <p>Hinge Arm (F735) x 4</p>	
<p><b>X</b> </p> <p>Pre-mounted hinge (F419) x 4</p>	<p><b>Y</b> </p> <p>Drawer runner (F1004) x 4</p>		

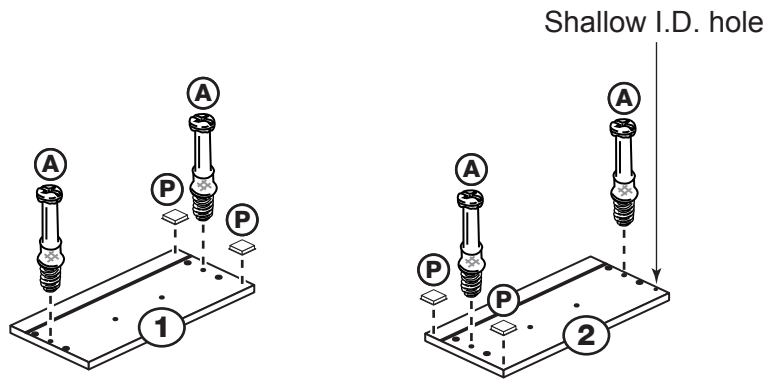
## Step 1

### Prepare the Left and Right Drawer Fronts

Screw 2 Metal Dowels into the Left and Right Drawer Fronts.

Note: Tighten the Metal Dowels up fully against the panels.

Stick 2 Door Buffers into the corners of each Drawer Front, as shown.

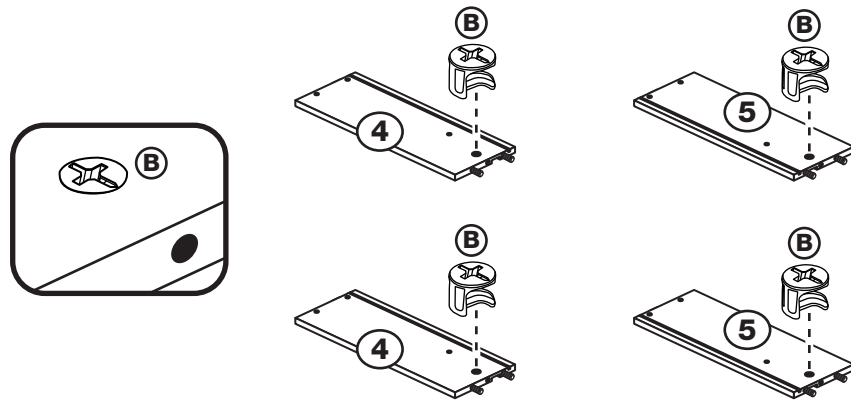


## Step 2

### Prepare the 2 sets of Drawer Sides

Insert a Small Locking Cam Nut into the 2 Left Drawer Sides and the 2 Right Drawer Sides.

Note: The arrow on the Small Locking Cam Nut must point towards the hole in the edge of the panel.



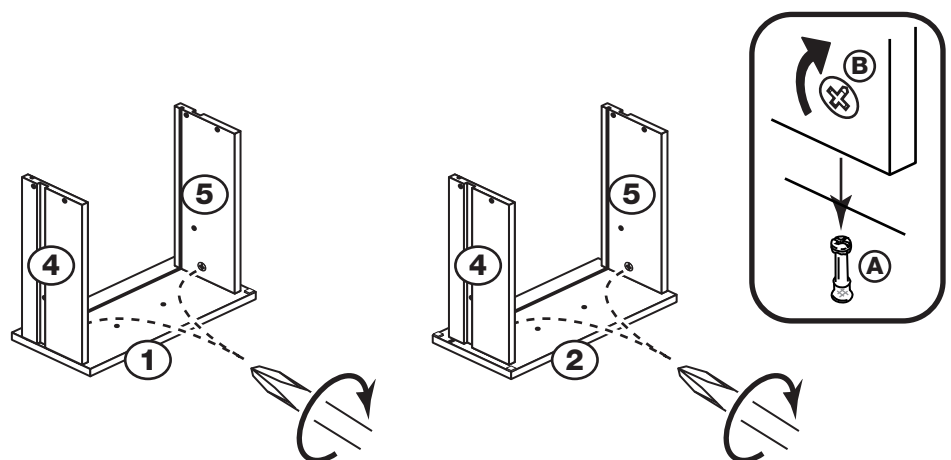
## Step 3

### Attach the Drawer Sides to the Drawer Fronts

Push the Left Drawer Sides and Right Drawer Sides onto the back of the Drawer Fronts.

Turn the Small Locking Cam nuts on the Left Drawer Sides and right Drawer Sides.

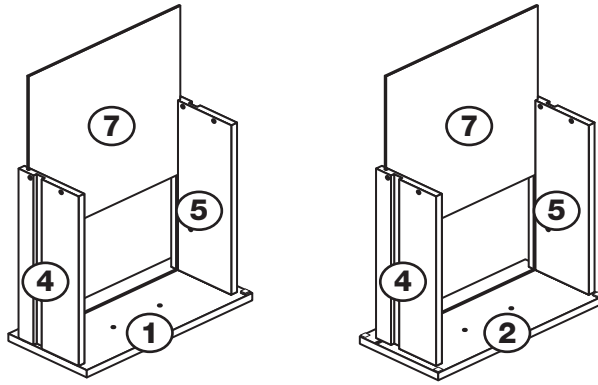
**Note:** Turn the Small Locking Cam nuts clockwise to secure the panels - more than 1/2 a turn.



## Step 4

### Fit the Drawer Bases

Slide the Drawer Bases down the grooves in the Drawer Sides and down into the groove in the Left and Right Drawer Fronts.



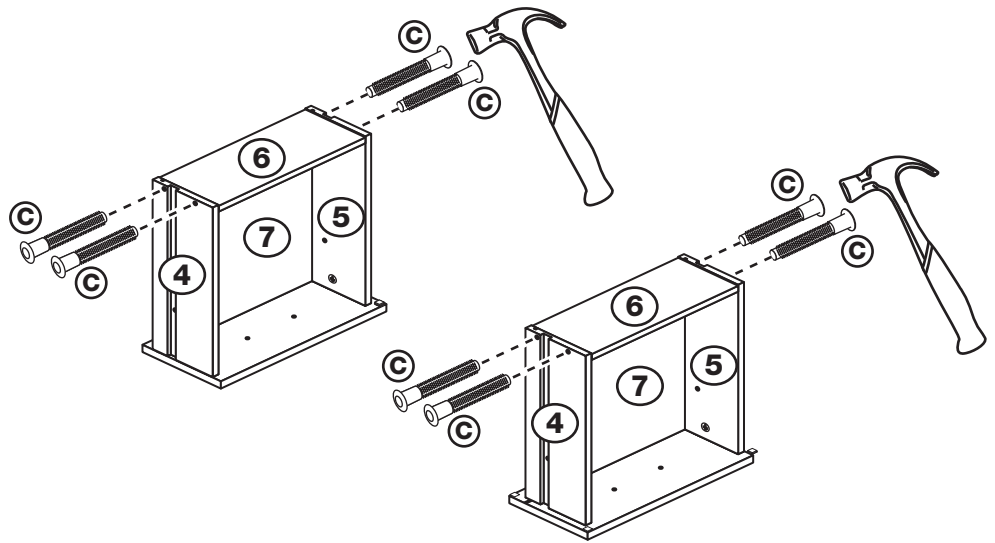
## Step 5

### Fit the Drawer Backs

Fit the Drawer Backs between the Drawer Sides.

Make sure that the Drawer Base fits into the groove in the Drawer Back.

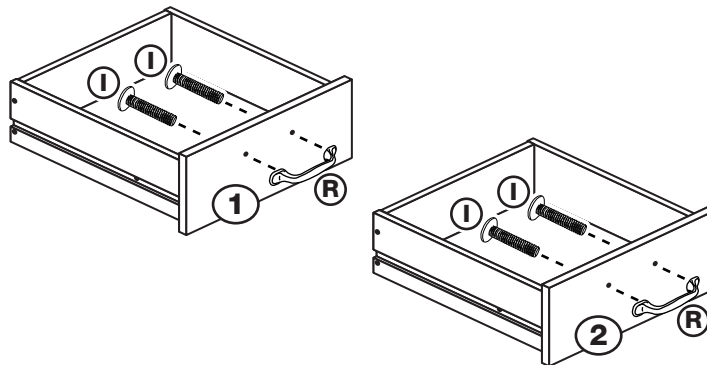
Hold the Drawer Back in position and tap the Knock-in Pegs through the holes in the Drawer Sides.



## Step 6

### Attach the Handles

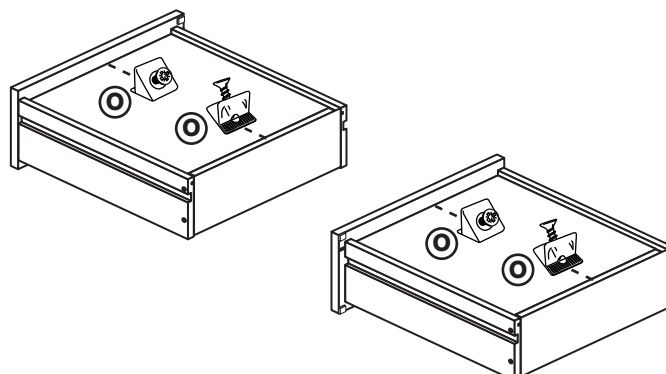
Attach a Handle to the Left and Right Drawer Fronts using two 19mm Screws.



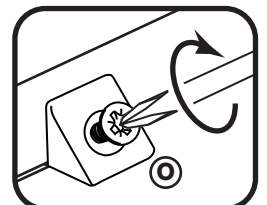
## Step 7

### Fit the Wedgefixes

Turn the drawer assemblies over and slide 2 Wedgefixes into the front and back grooves, as shown, and tighten up the screws.



The Drawer assembly must be square before fitting the wedgefixes



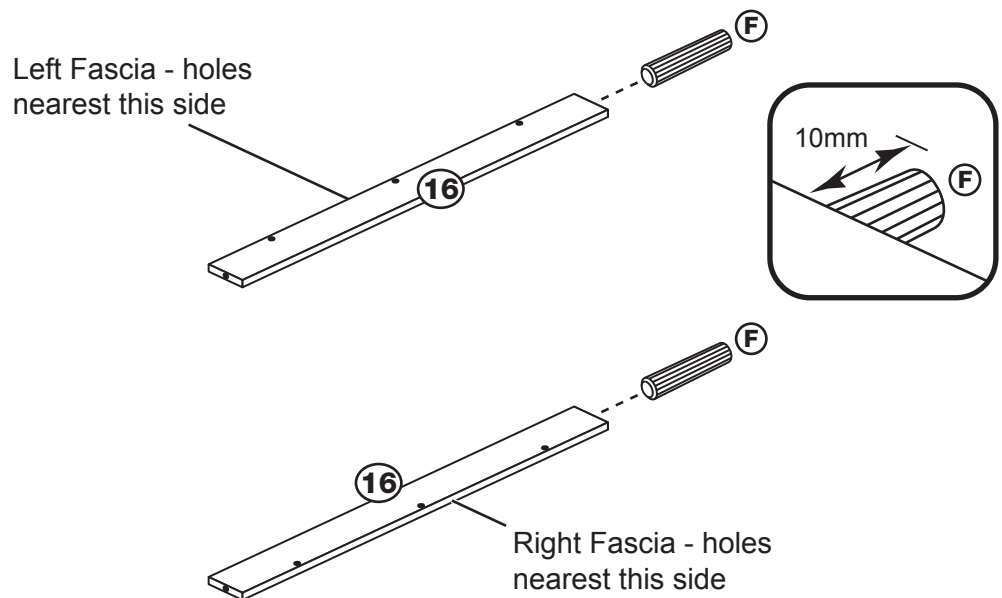
## Step 8

### Prepare the 2 Fascias

Check that the holes are in the same place as the diagrams, as one will be the Left Fascia and one will be the Right Fascia.

Tap a Wooden Dowel into each of the 2 Fascias.

Note: Wooden Dowels must not stick out from the edge by more than 10mm or they may damage other panels.



## Step 9

### Prepare the Left Side

Tap 2 Wooden Dowels into the Left Side.

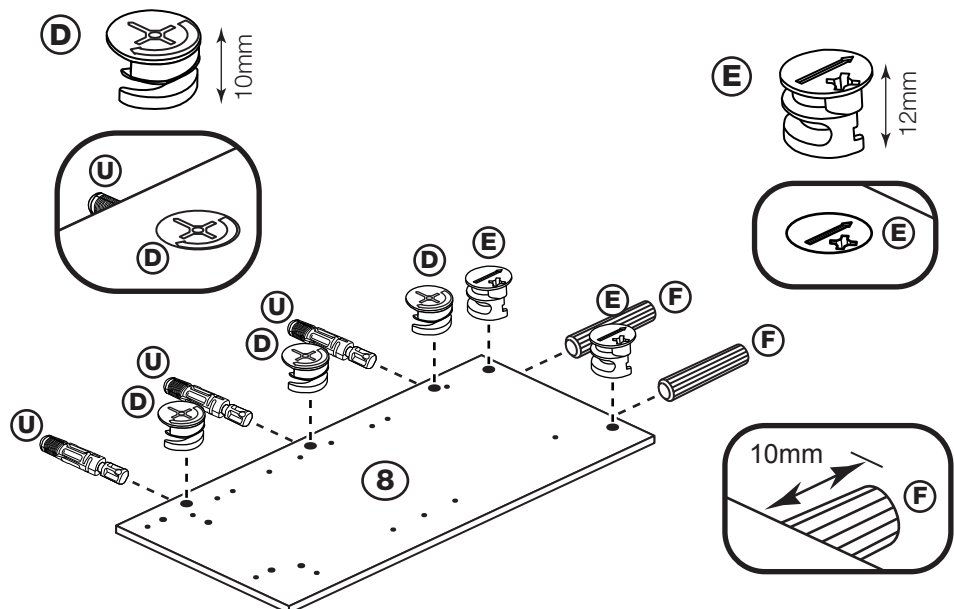
Insert 3 10mm Locking Cam Nuts into the side of the Left Side.

Insert 2 12mm Locking Cam Nuts into the end of the Left Side.

Note: The arrow on the Locking Cam Nuts must point towards the hole in the edge of the panel.

Push 3 of the Quickfit Dowels as far as they will go into the Left Side.

**Note:** Only the plastic thread of the Quickfit Dowel sticks out from the panel.



## Step 10

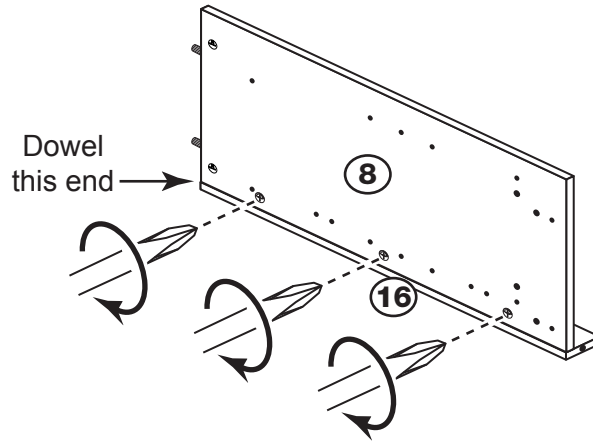
### Fit the Left Fascia to the Left Side

Push the Left Side down onto the Left Fascia.

Use a screwdriver to tighten the 3 10mm Locking Cam Nuts fitted to the Left Side.

**Note:** Turn the Locking Cam Nuts as far as they will go - more than 1/2 a turn.

**Important:** Make sure there is no gap between the fitted panels.



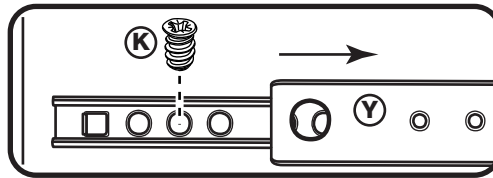
## Step 11

### Finish preparing the Left Side

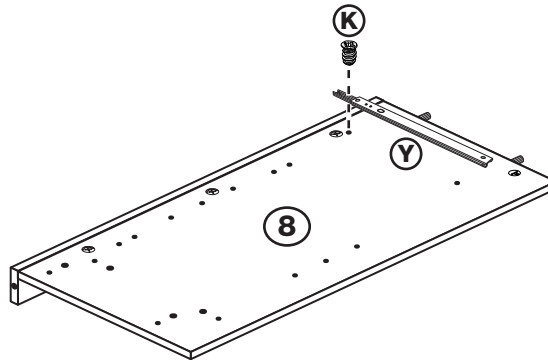
**a:** Place a runner on the Left Side as shown. Slide back the top of Runner and use the 2nd hole from the front to fit the first 9mm Screw.

**b:** Slide the Runner back the other way and fit the second 9mm Screw into the corresponding hole in the Left Side.

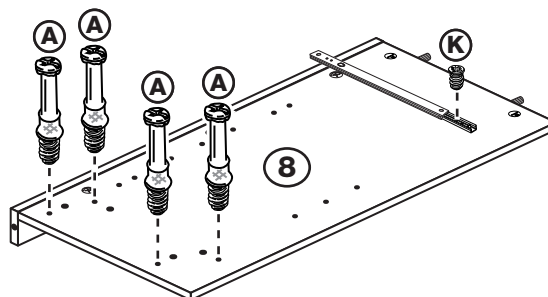
Screw 4 metal dowels into the Left Side.



**a:**



**b:**





## Step 12

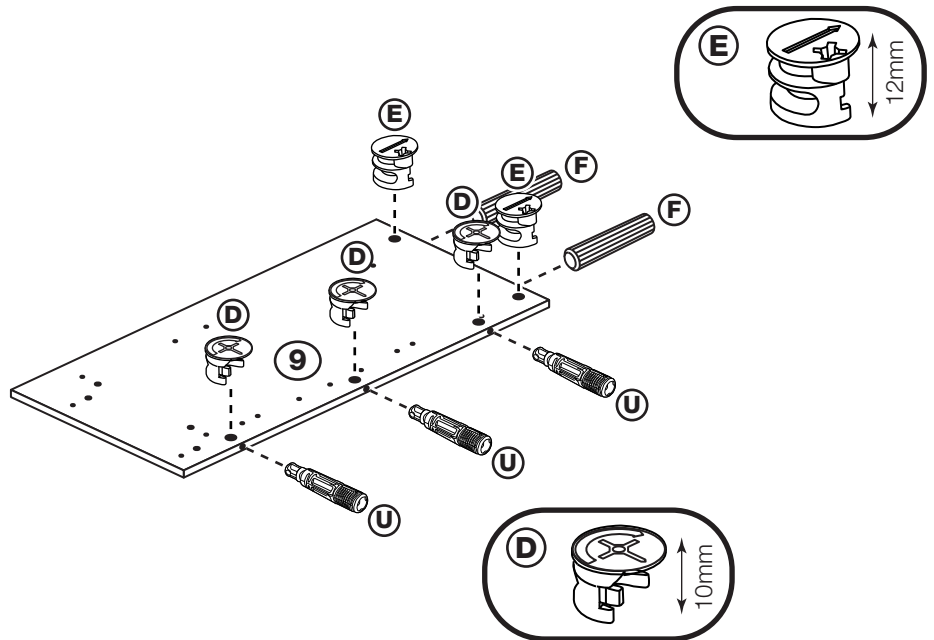
### Prepare the Right Side

Tap 2 Wooden Dowels into the Right Side.

Insert 3 10mm Locking Cam Nuts into the side of the Right Side.

Insert 2 12mm Locking Cam Nuts into the end of the Right Side.

Push 3 of the Quickfit Dowels as far as they will go into the Right Side.



## Step 13

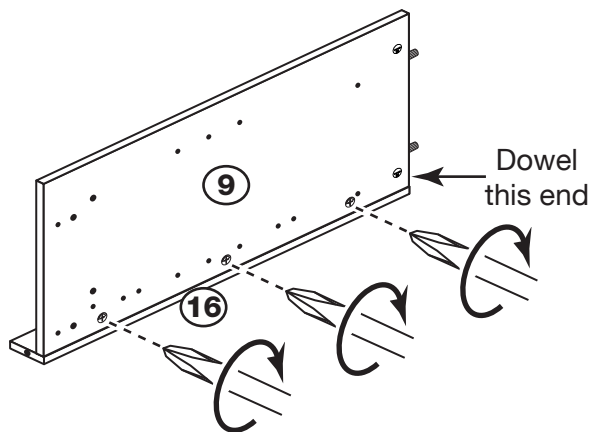
### Fit the Right Fascia to the Right Side

Push the Right Side down onto Right Fascia.

Use a screwdriver to tighten the 3 10mm Locking Cam Nuts fitted to the Right Side.

**Note:** Turn the Locking Cam Nuts as far as they will go - more than 1/2 a turn.

**Important:** Make sure there is no gap between the fitted panels.



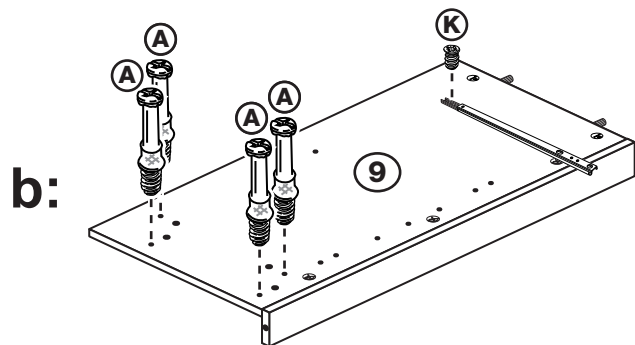
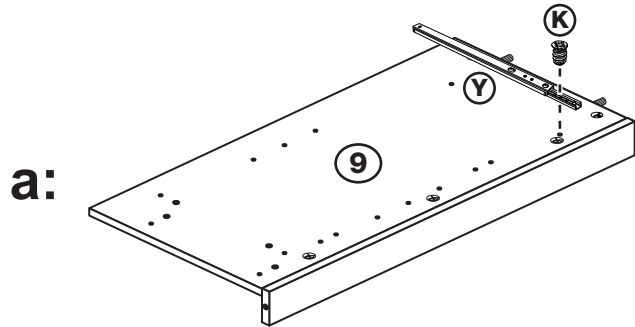
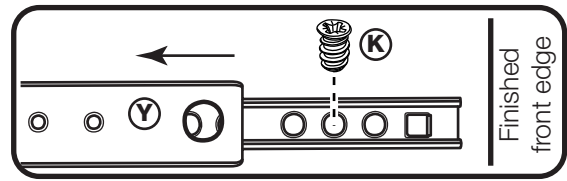
## Step 14

### Finish preparing the Right Side

**a:** Place a runner on the Right Side as shown. Slide back the top of Runner and use the 2nd hole from the front to fit the first 9mm Screw.

**b:** Slide the Runner back the other way and fit the second 9mm Screw into the corresponding hole in the Right Side.

Screw 4 metal dowels into the Right Side.

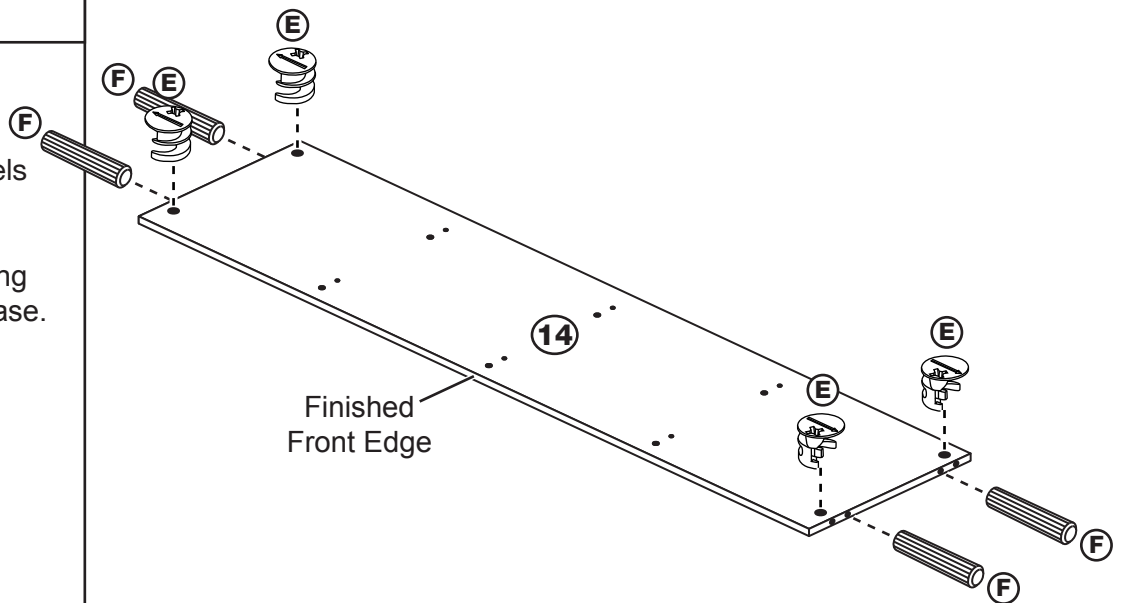


## Step 15

### Prepare the Base

Tap 4 Wooden Dowels into the Base.

Insert 4 12mm Locking Cam Nuts into the Base.

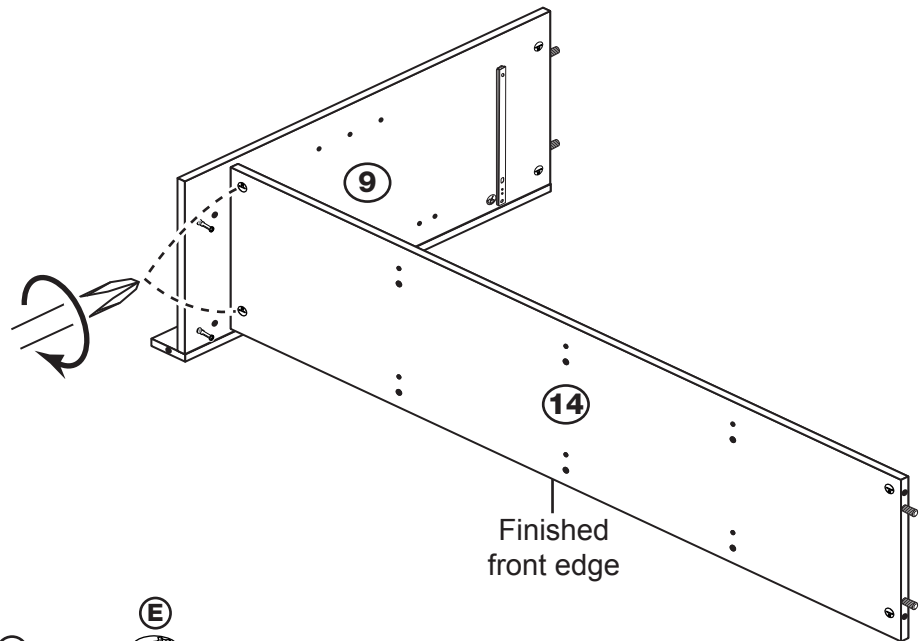


## Step 16

### Fit the Base to the Right Side

Push the Base onto the Right Side.

Use a screwdriver to tighten the 2 Large Locking Cam Nuts fitted to the Base.

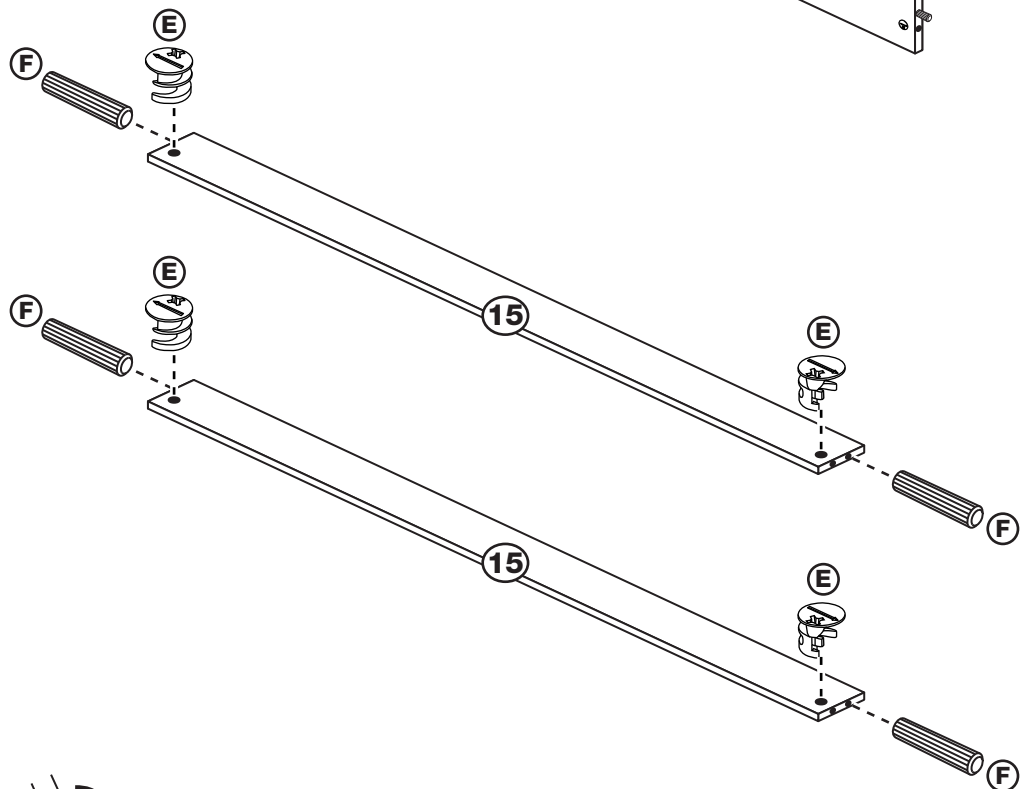


## Step 17

### Prepare the 2 Plinths

Tap 2 Wooden Dowels into each of the Plinths.

Insert 2 12mm Locking Cam Nuts into each of the Plinths.

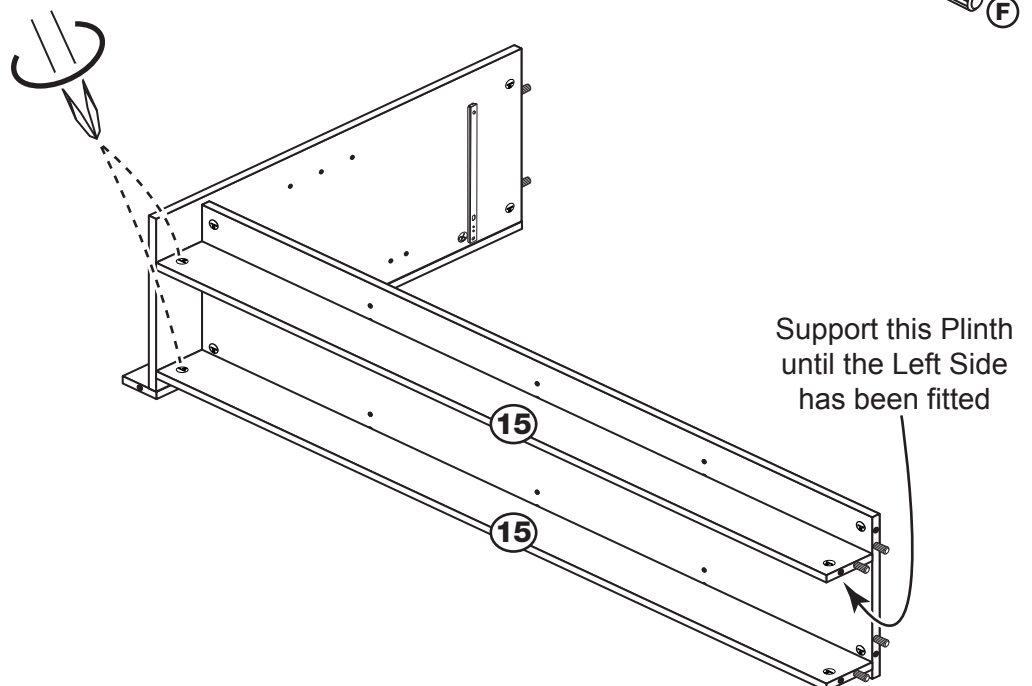


## Step 18

### Fit the Plinths

Push the 2 Plinths onto the Right Side.

Use a screwdriver to tighten the Large Locking Cam Nut fitted to each Plinth.

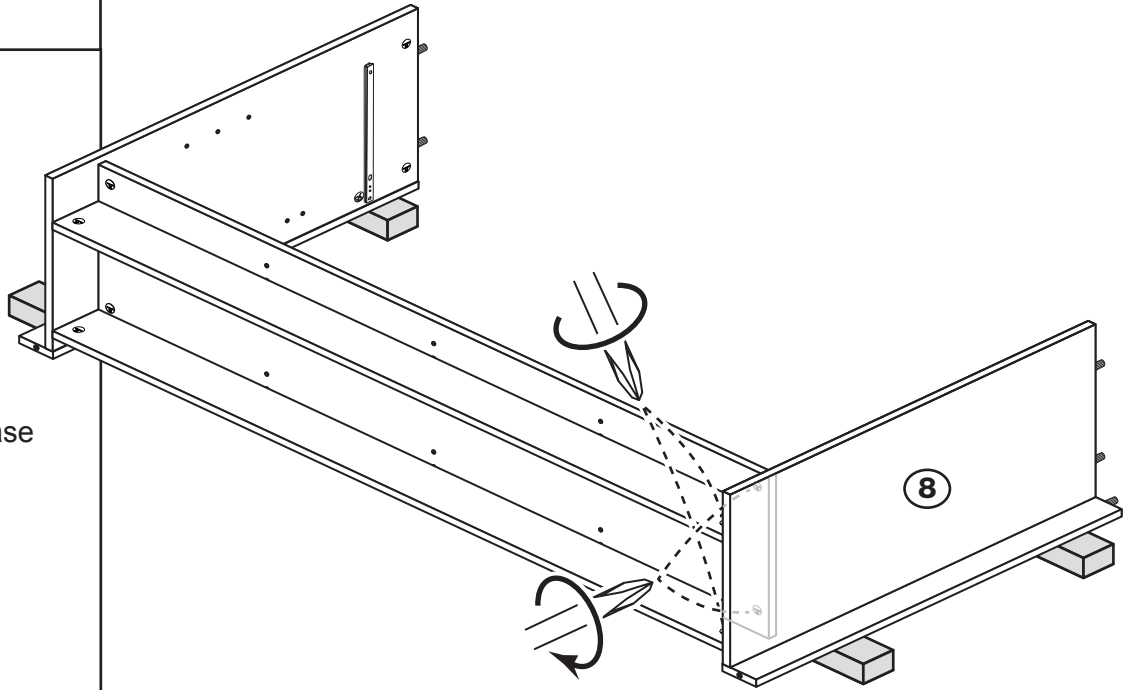


## Step 19

### Fit the Left Side

Push the Left Side onto the Base and the Plinths.

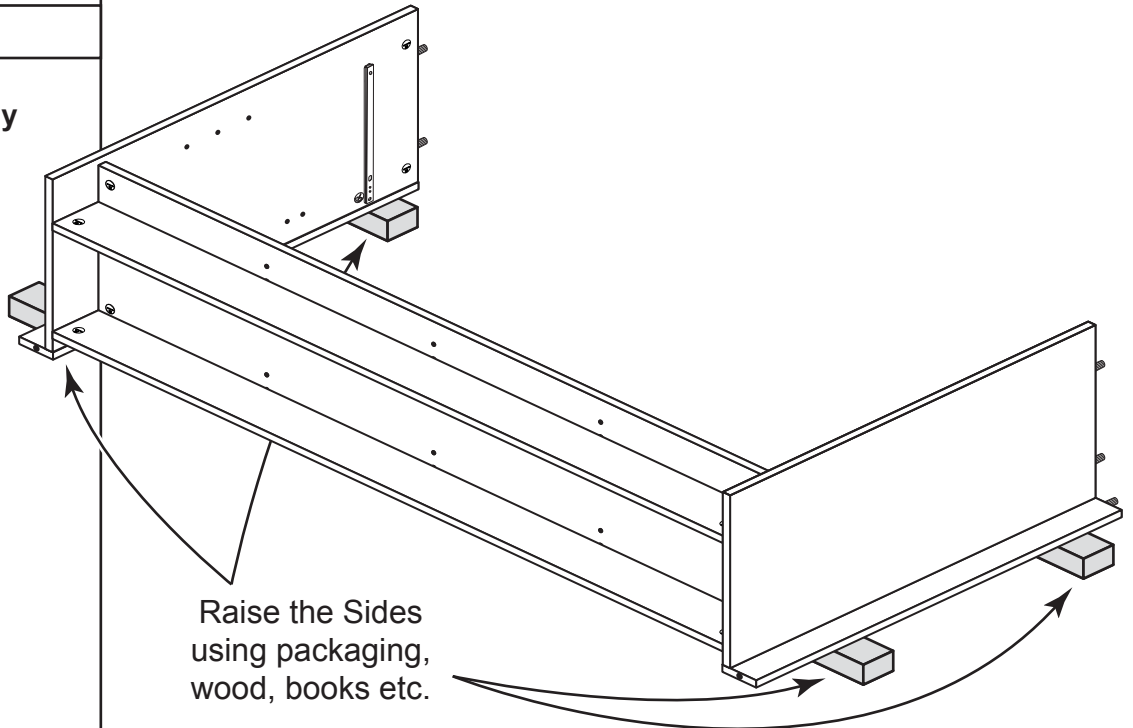
Use a screwdriver to tighten the 4 Large Locking Cam Nuts fitted to the Base and Plinths.



## Step 20

### Raise the assembly

To make assembly easier, place packaging pieces underneath the Side Panels to raise the assembly.



## Step 21

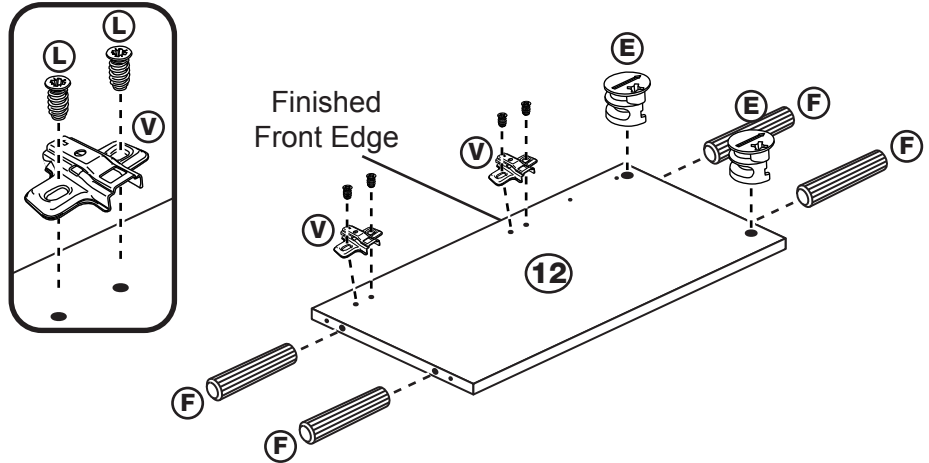
### Prepare the Centre Divider

Fit 2 Hinge Plates to the Centre Divider using 13mm Screws.

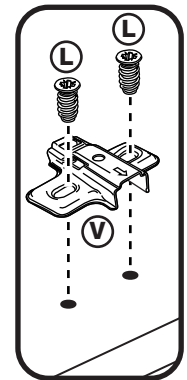
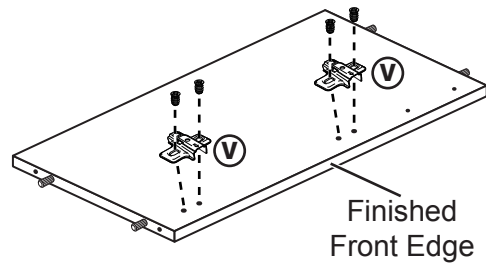
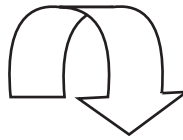
Tap 4 Wooden Dowels into the Centre Divider.

Insert 2 12mm Locking Cam Nuts into the Centre Divider.

Turn the panel over and fit 2 more Hinge Plates to the Centre Divider using 13mm Screws.



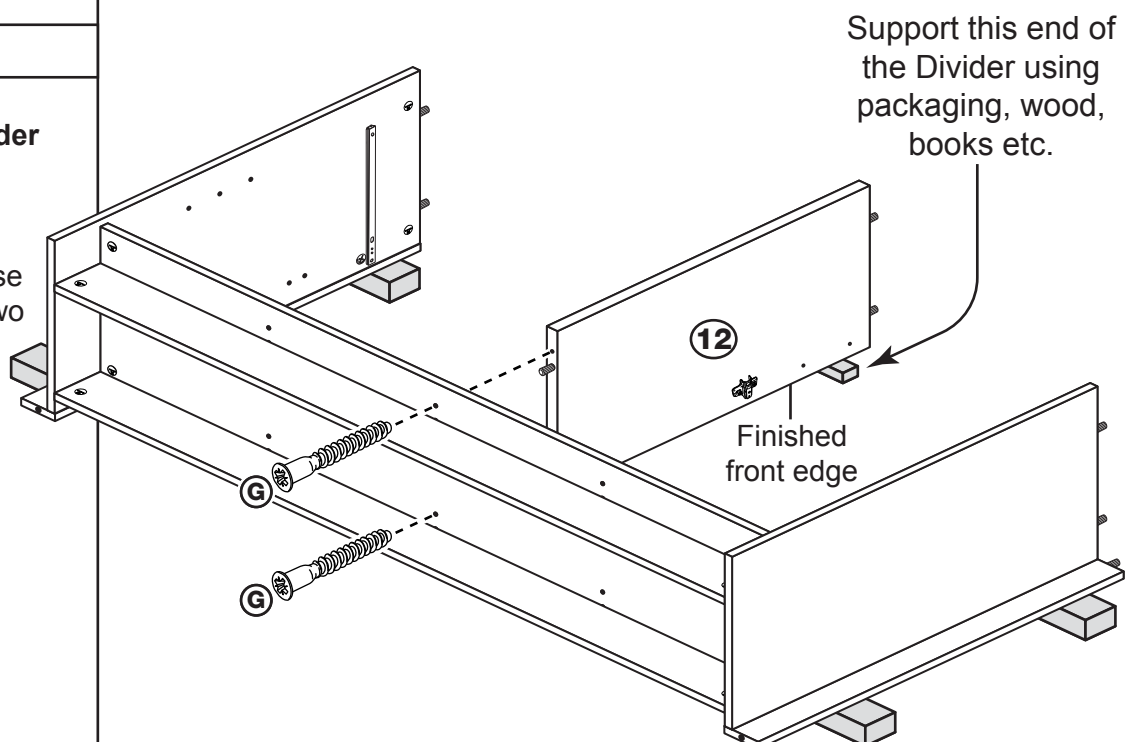
Turn the panel over



## Step 22

### Fit the Centre Divider to the Base

Push the Centre Divider onto the Base and secure it with two 40mm Screws.



## Step 23

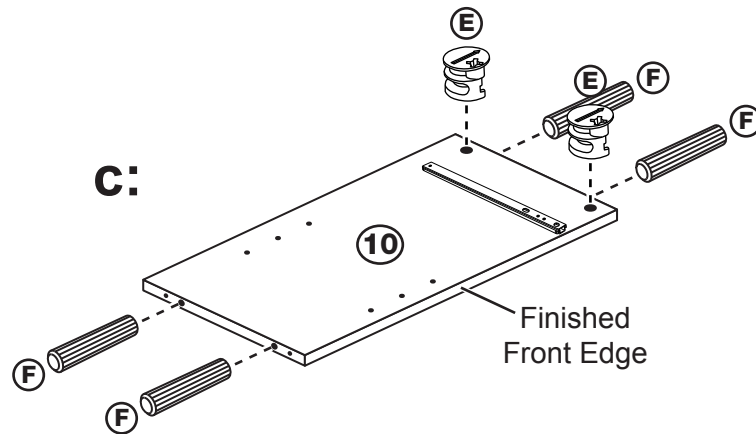
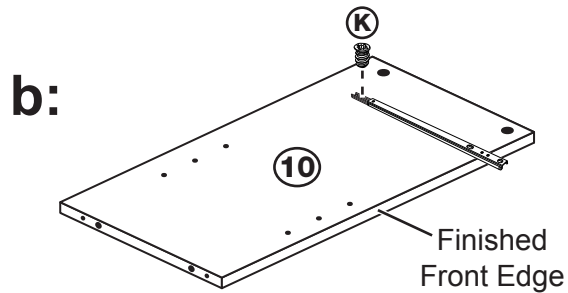
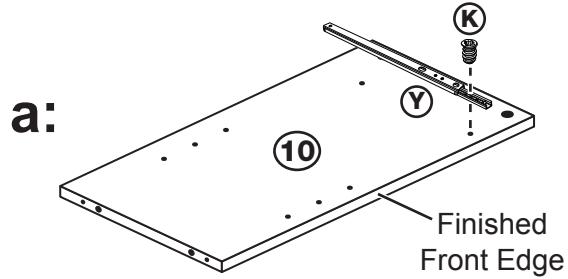
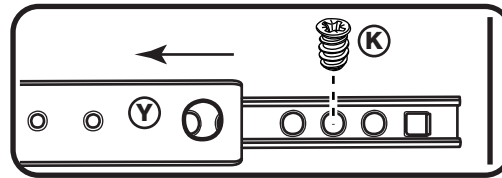
### Prepare the Left Divider

**a:** Place a Runner on the Left Divider as shown. Slide back the top of Runner and use the 2nd hole from the front to fit the first 9mm Screw.

**b:** Slide the Runner back the other way and fit the second 9mm Screw into the corresponding hole in the Left Divider.

**c:** Tap 4 Wooden Dowels into the Left Divider.

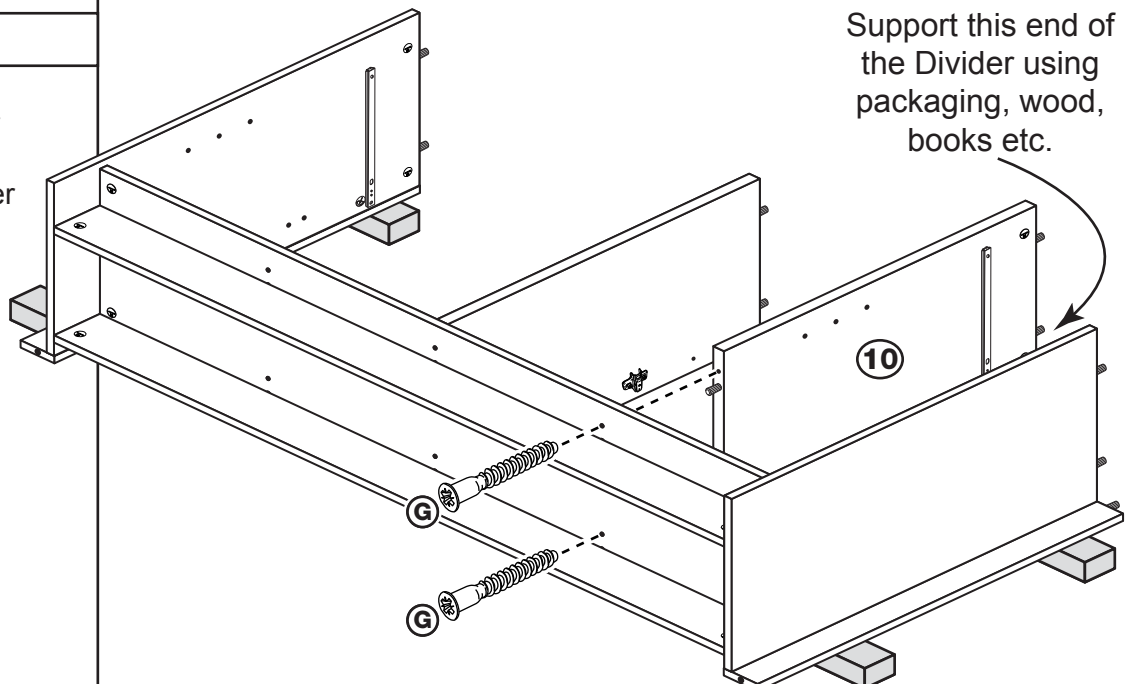
Insert 2 12mm Locking Cam Nuts into the Left Divider.



## Step 24

### Fit the Left Divider

Push the Left Divider onto the Base and secure it with two 40mm Screws.



## Step 25

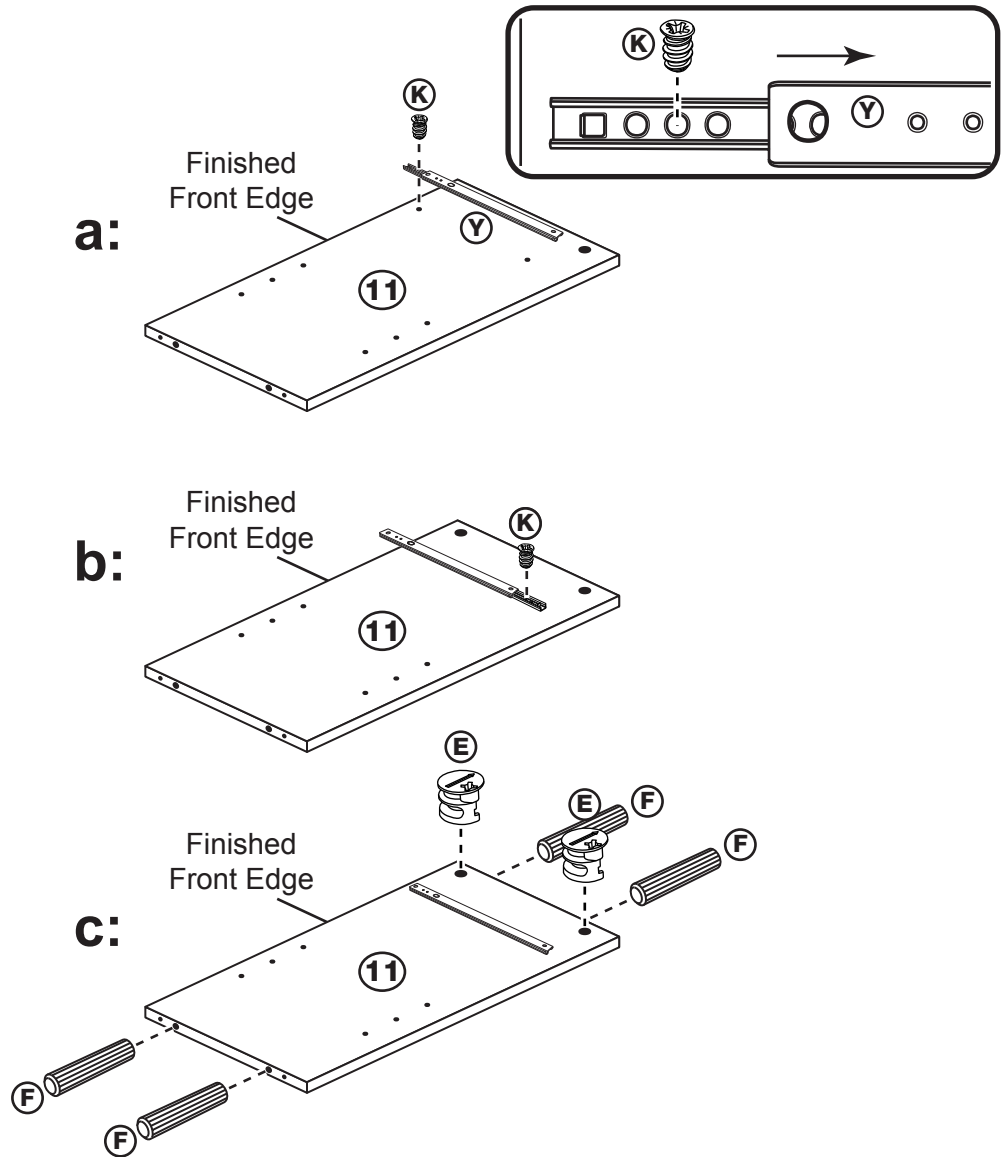
### Prepare the Right Divider

**a:** Place a Runner on the Right Divider as shown. Slide back the top of Runner and use the 2nd hole from the front to fit the first 9mm Screw.

**b:** Slide the Runner back the other way and fit the second 9mm Screw into the corresponding hole in the Right Divider.

**c:** Tap 4 Wooden Dowels into the Right Divider.

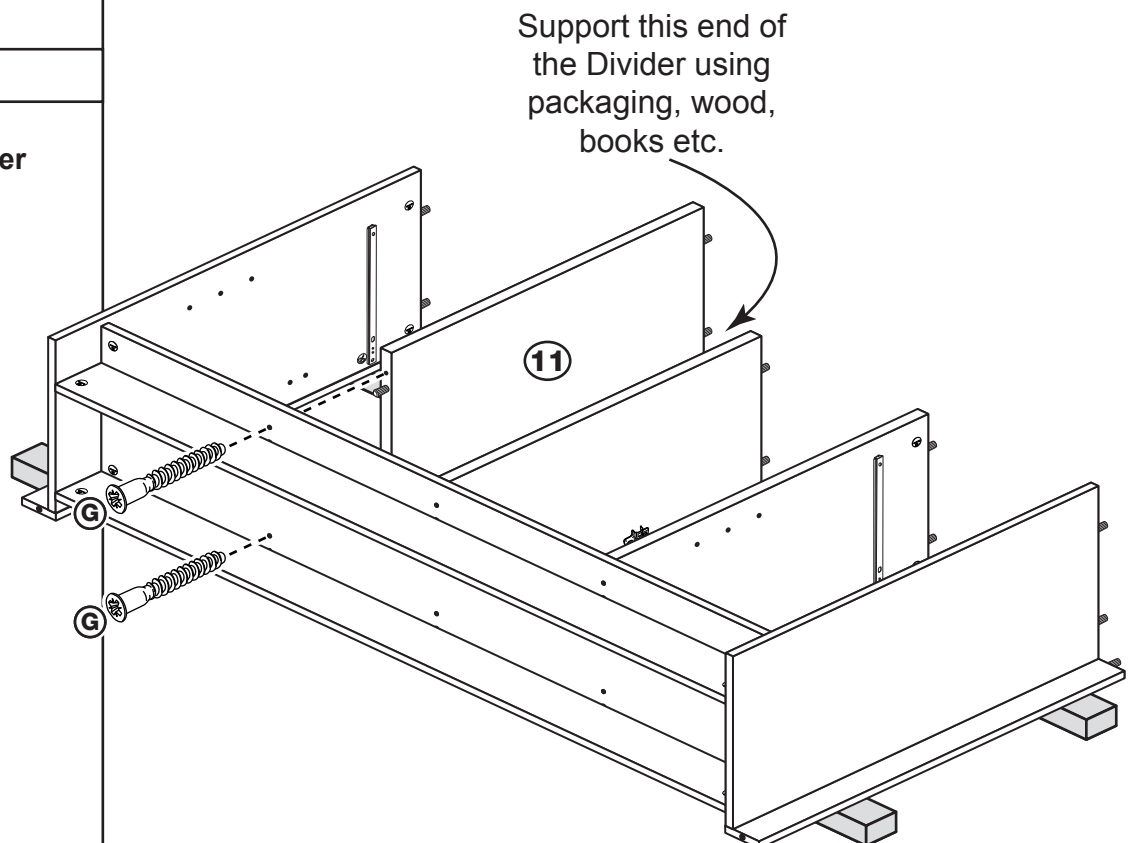
Insert 2 12mm Locking Cam Nuts into the Right Divider.



## Step 26

### Fit the Right Divider

Push the Right Divider onto the Base and secure it with two 40mm Screws.



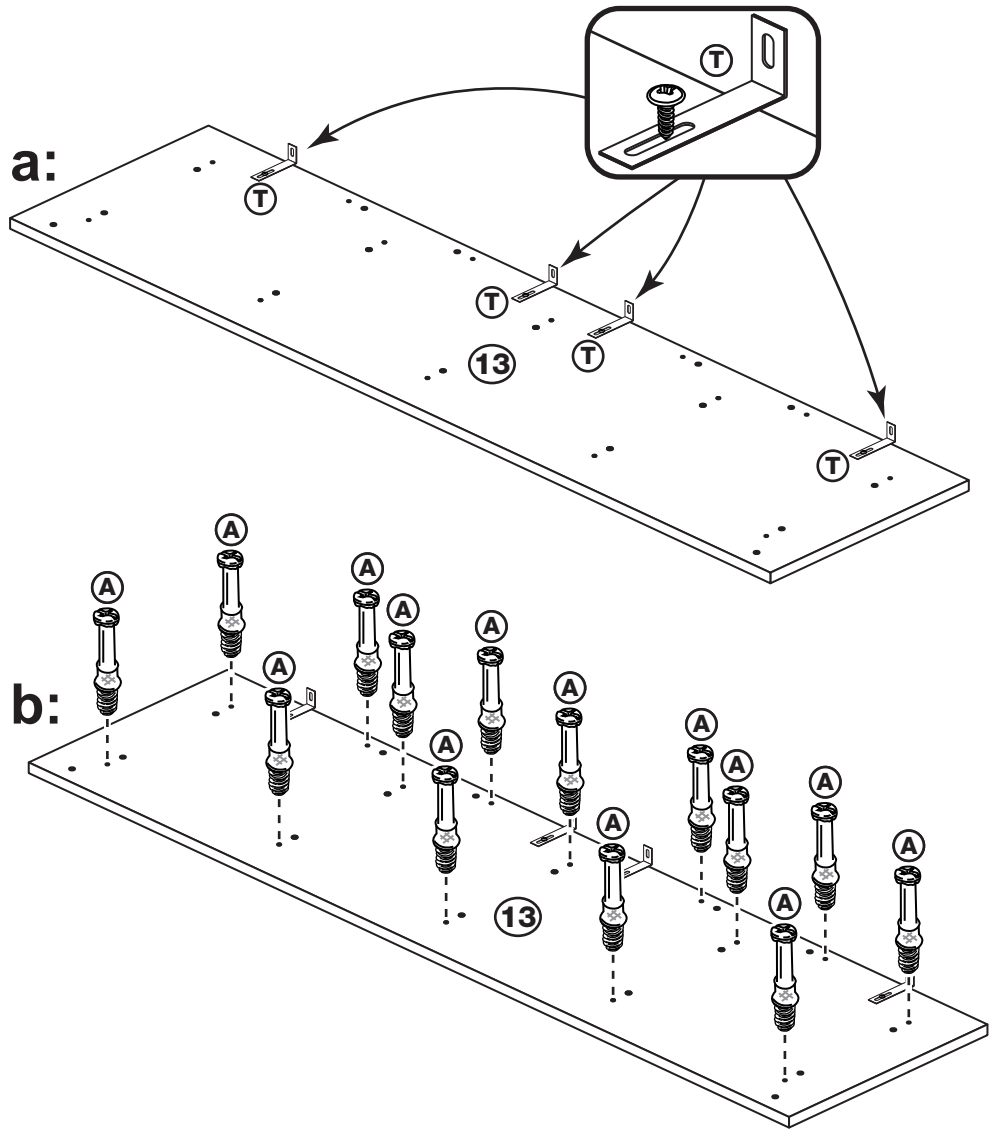
## Step 27

### Prepare the Top

**a:** Fit the 4 Brackets from the Overbalance Protector Kits to the shallow mark-holes drilled into the Top using 1 of their Screws.

**Note:** Only fit 1 of the Screws, the other 1 will be fitted later.

**b:** Screw 14 Metal Dowels into the Top.

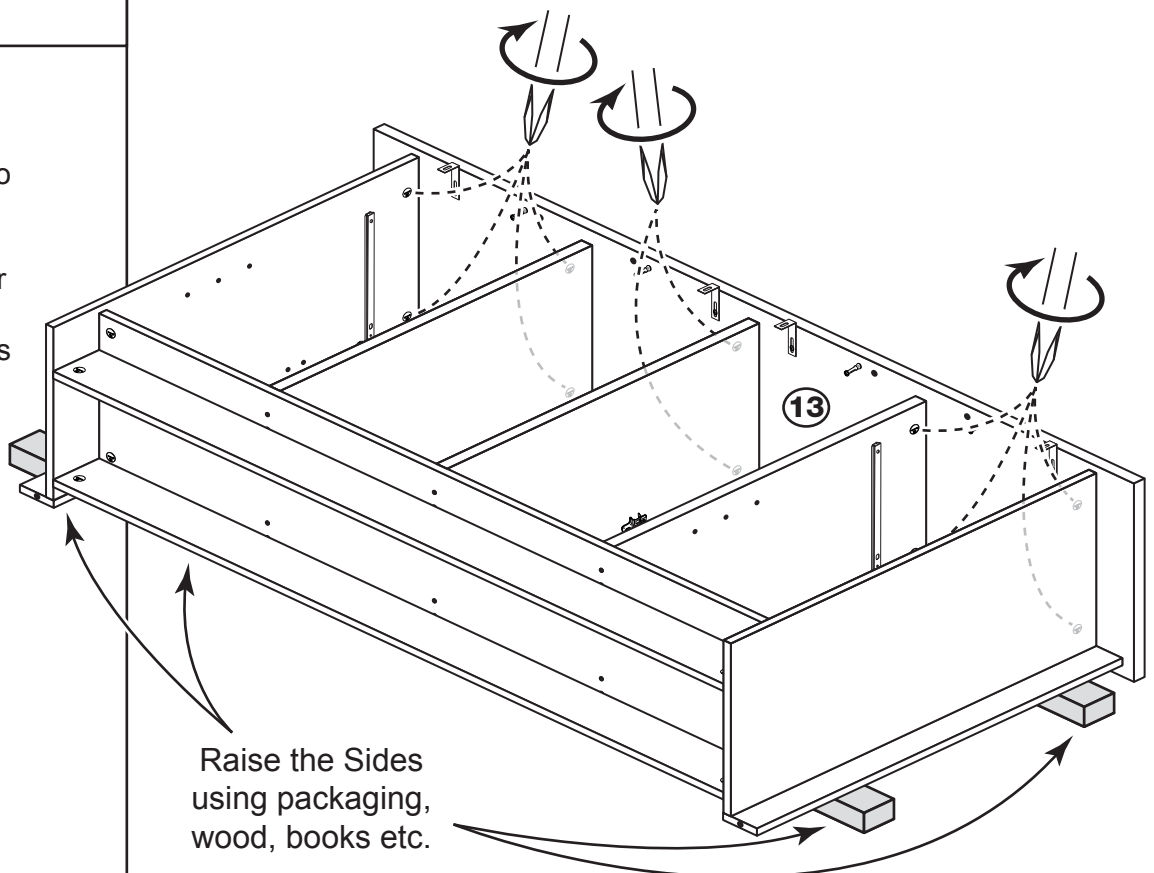


## Step 28

### Fit the Top

Push the Top onto the assembly.

Use a screwdriver to tighten the 10 Locking Cam Nuts fitted to the Sides and the Dividers.



Raise the Sides using packaging, wood, books etc.



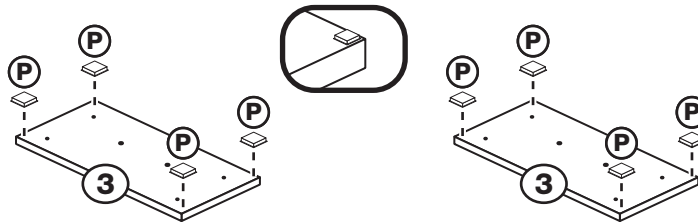
## Step 29

### Prepare the 2 Centre Drawer Fronts

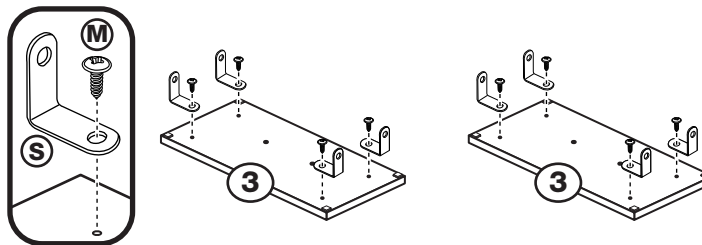
**a:** Stick a Door Buffer into the 4 corners of each Centre Drawer Front, as shown.

**b:** Fit 4 Brackets to each Centre Drawer Front using the 13mm Screws.

**a:**



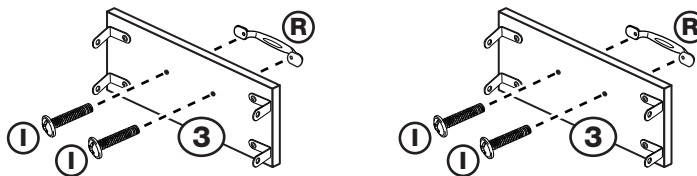
**b:**



## Step 30

### Attach the Handles

Attach a Handle to each of the 2 Centre Drawer Fronts using two 19mm Screws.



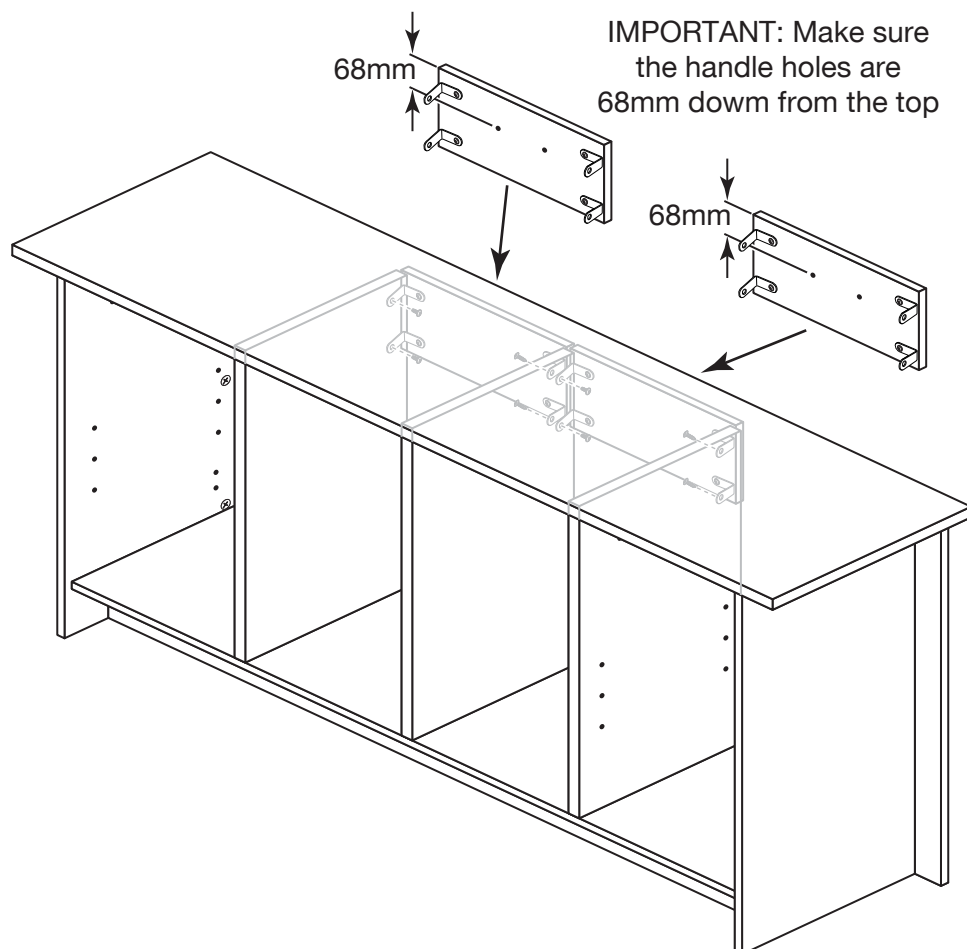
## Step 31

### Fit the Centre Drawer Fronts

Using 2 people stand the unit up.

Fit one of the Centre Drawer Fronts between the Right Divider and the Centre Divider and fix it to the mark-holes using 13mm Screws.

Now fit the other Centre Drawer Front between the Left Divider and the Centre Divider.

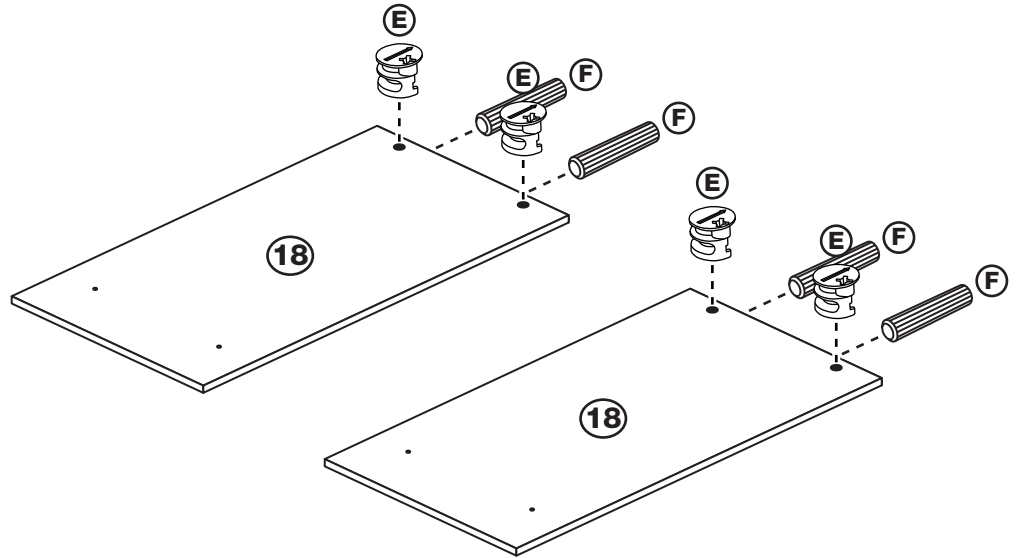


## Step 32

### Prepare the 2 Backs

Tap 2 Wooden Dowels into each Back.

Insert 2 Large Locking Cam Nuts into each Back.



## Step 33

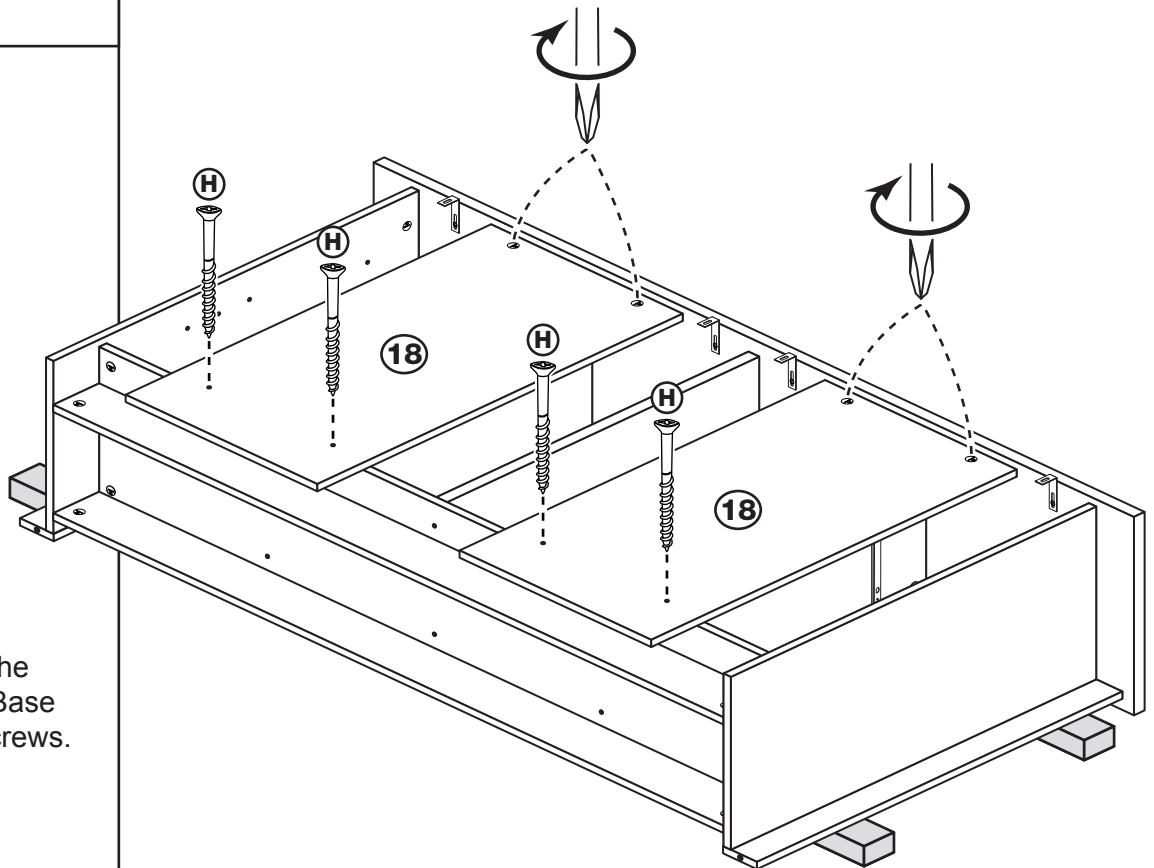
### Fit the 2 Backs

Using 2 people lay the unit back down onto its front edges.

Push the 2 Backs onto the Top.

Use a screwdriver to tighten the 2 Large Locking Cam Nuts fitted to each Back.

Fix each Back to the back edge of the Base with two 45mm Screws.



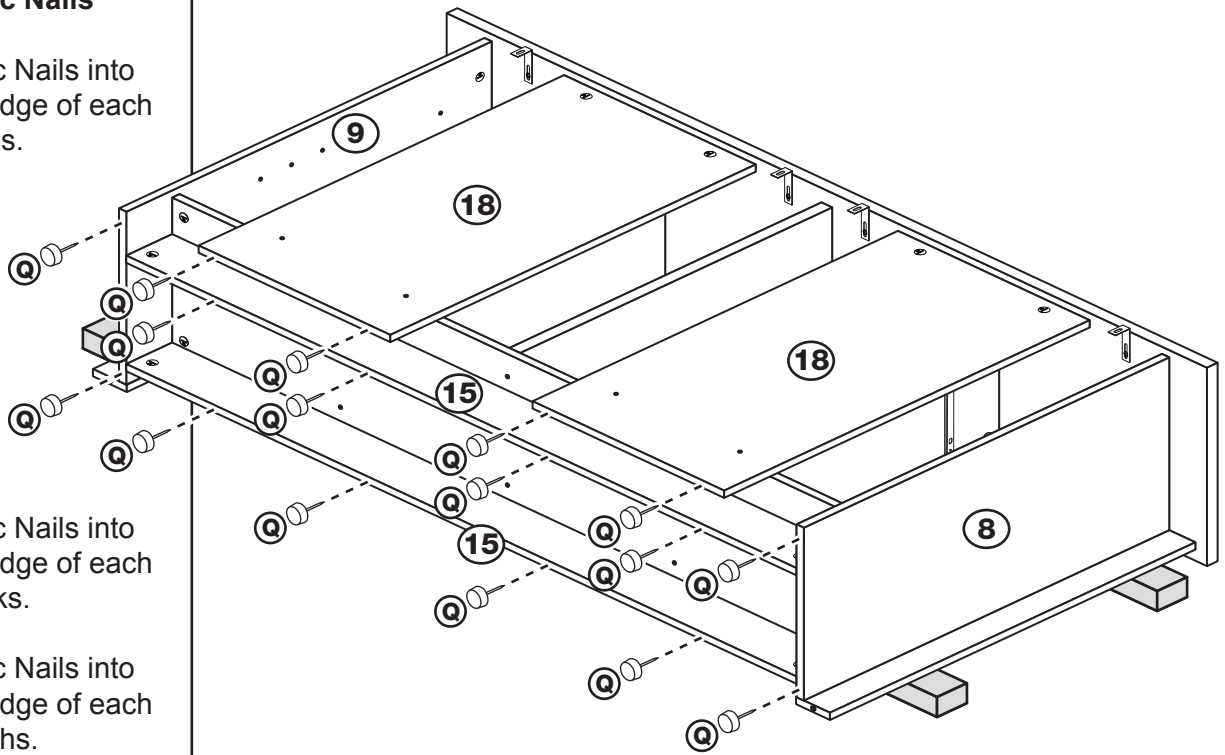
## Step 34

### Fit 16 Plastic Nails

Tap 2 Plastic Nails into the bottom edge of each of the 2 Sides.

Tap 2 Plastic Nails into the bottom edge of each of the 2 Backs.

Tap 4 Plastic Nails into the bottom edge of each of the 2 Plinths.



## Step 35

### Secure the unit to a wall

**a:** Before fitting the unit to a wall, use a spirit level to check the top of the unit is level, front-to-back and side-to-side in the 3 positions shown. Use suitable packing pieces (not supplied) to make the unit level.

To prevent possible overbalancing this unit must be secured to a suitable wall by fitting the 4 Overbalance Protector Kits to a wall.

**b:** Push the unit up against the wall and slide the Brackets against the wall. Fit the 2nd Screw from the kits into the underside of the Top panel.

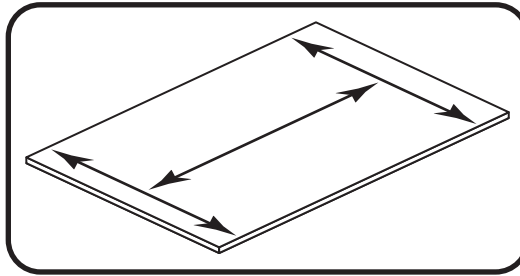
Mark the slot at the back of the Brackets for drilling into the wall.

Wall fixings are not supplied as they will need to suit the wall type.

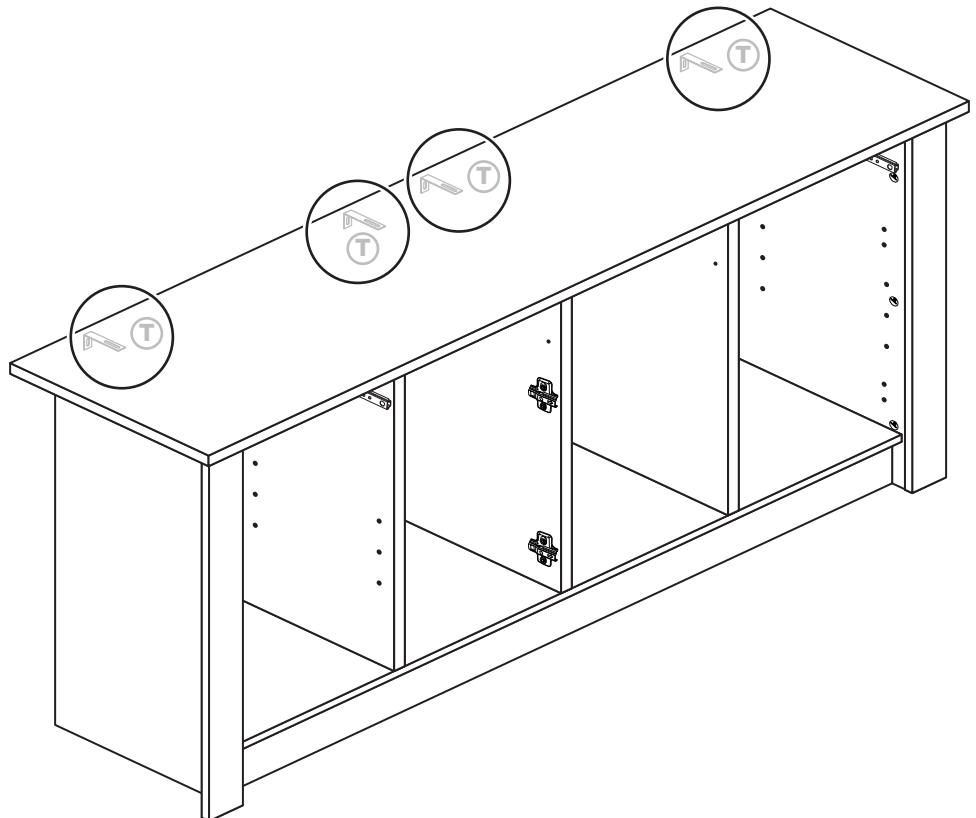
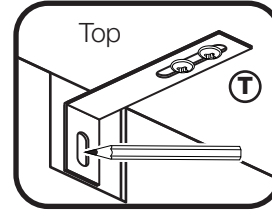
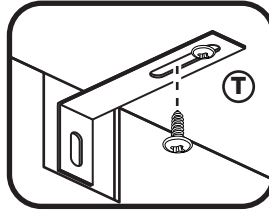
Take care when drilling the wall that you do not drill into any pipes, wires etc. If in doubt, consult an expert.

**This unit must be fixed to a wall using the 4 Overbalance Protector Kits provided**

**a:**



**b:**

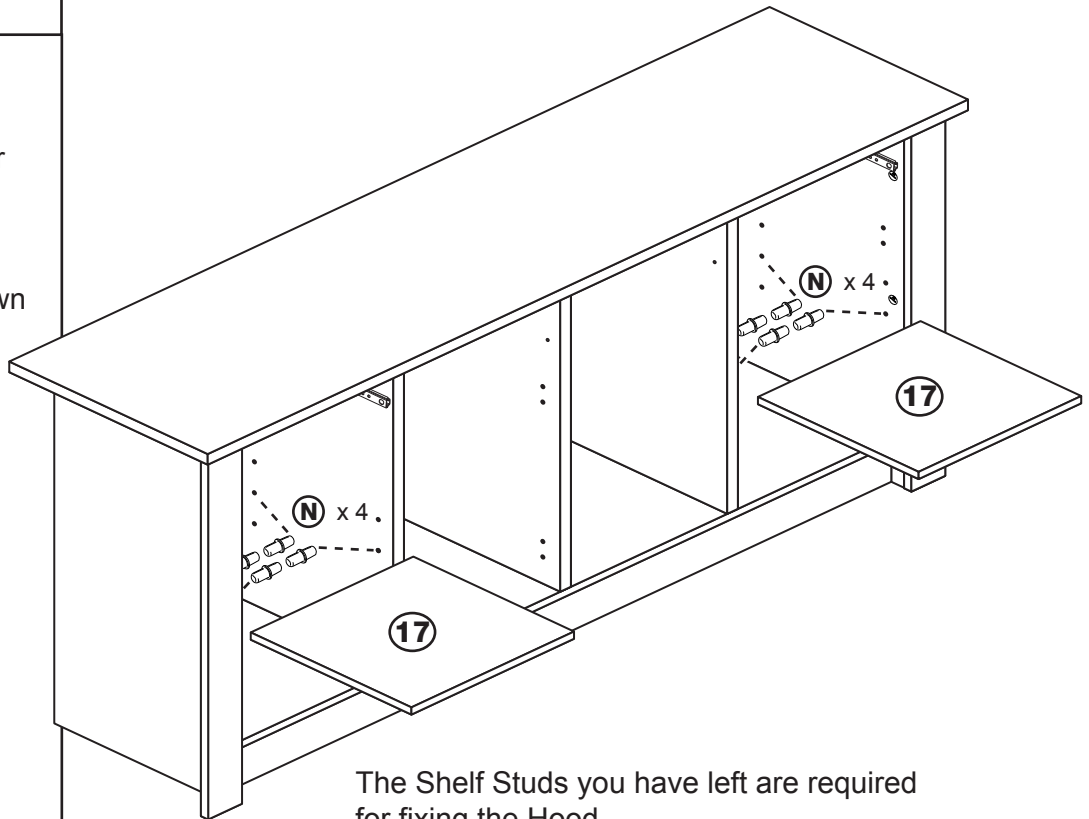


## Step 36

### Fit the Shelves

Insert 4 Shelf Studs for each Shelf, at the required height.

Lower the Shelves down onto the Shelf Studs.



The Shelf Studs you have left are required for fixing the Hood.  
See separate instructions for fitting details.

## Step 37

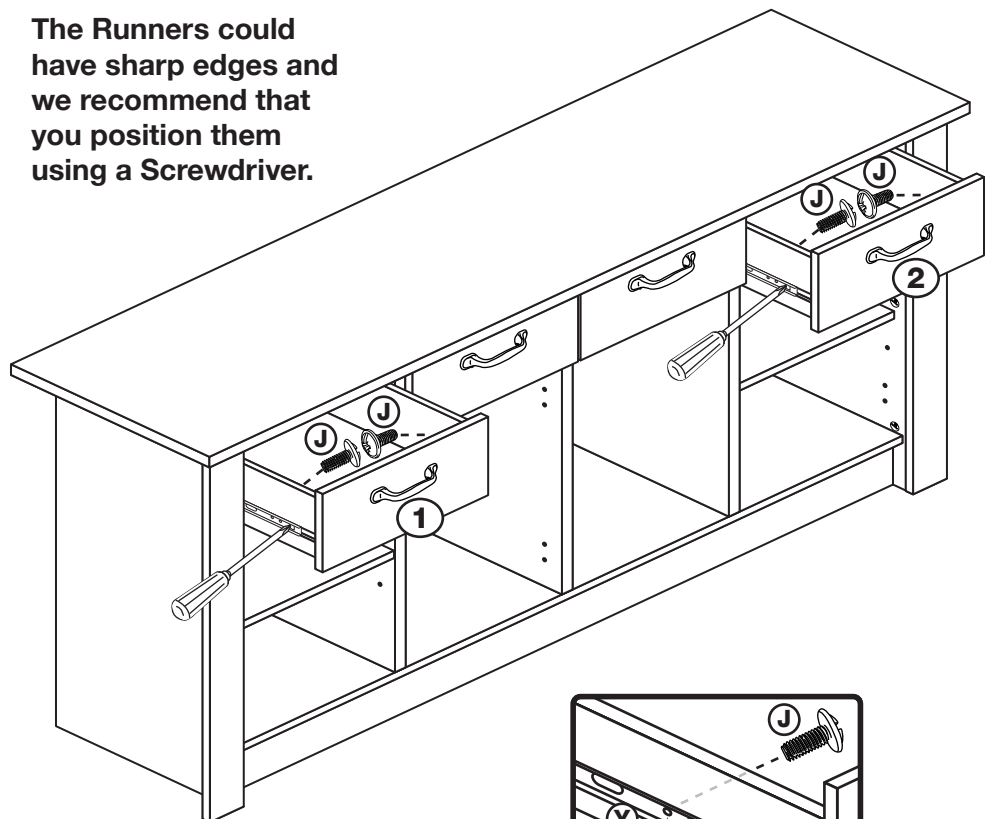
### Fit the Drawers

Slide both the Runners forward and locate the Drawer Sides between them, lining up their holes with the 2nd 'threaded' holes in the Runners.

Working from the inside of the Drawer, insert 2 9mm Screws through the Drawer Sides and out into the 2nd threaded hole in the Runner.

Note: Do not overtighten the Screws. If they catch on the Runners you may need to loosen them slightly.

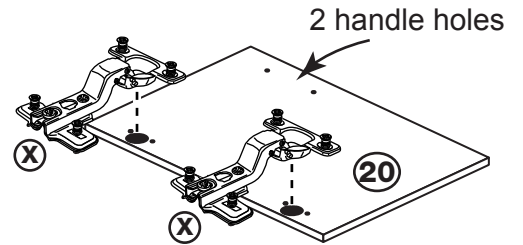
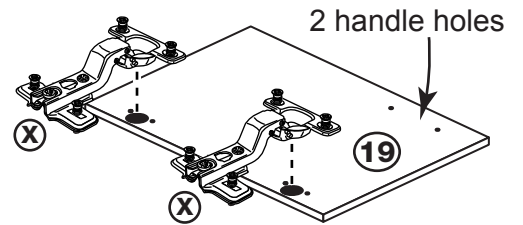
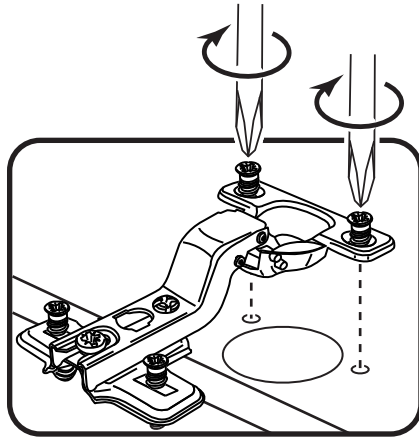
The Runners could have sharp edges and we recommend that you position them using a Screwdriver.



## Step 38

### Prepare the 2 outer Doors

Push fit 2 Hinges into each Door and secure them by tightening up their 2 screws.



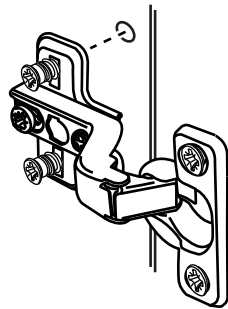
## Step 39

### Fit the 2 Outer Doors

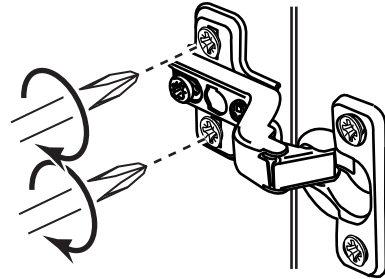
Line up the 2 screws in the top Hinge with the 2 holes at the top of the Sides and push them in.

Now push in the other Hinge.

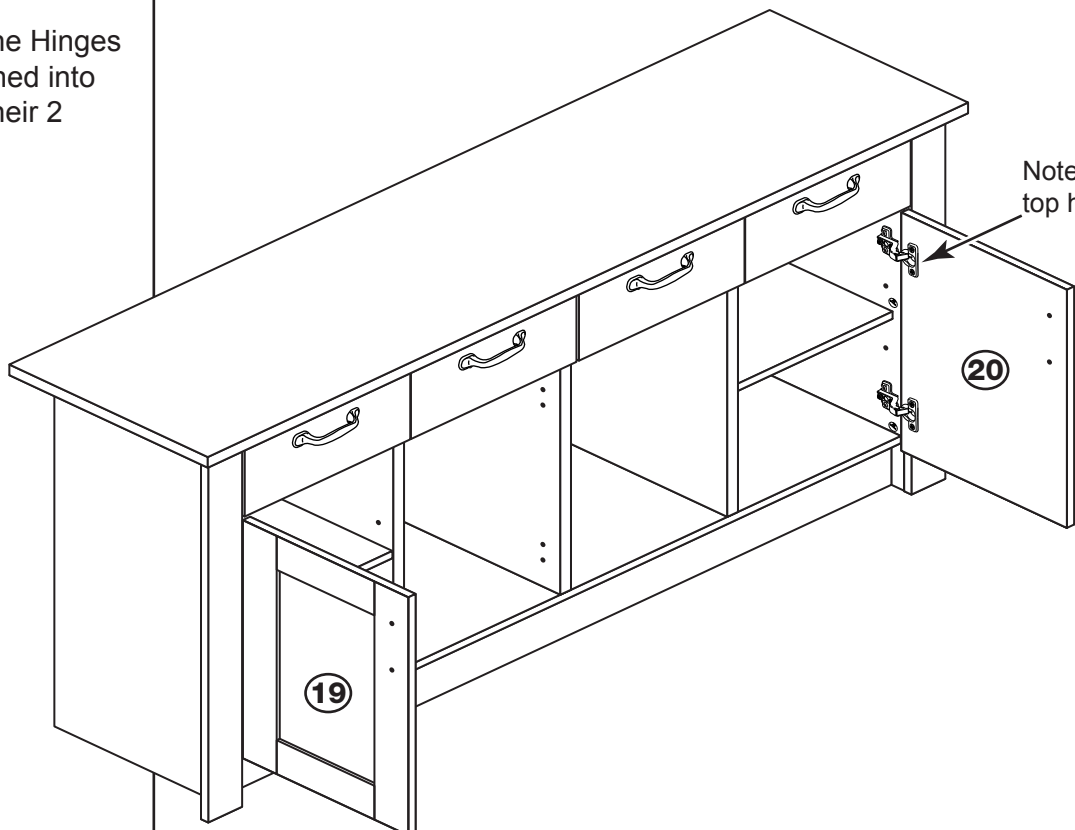
When both of the Hinges have been pushed into place, tighten their 2 screws.



Press the Screws into the holes in the panels



When the Hinges have been pushed in, tighten up their Screws

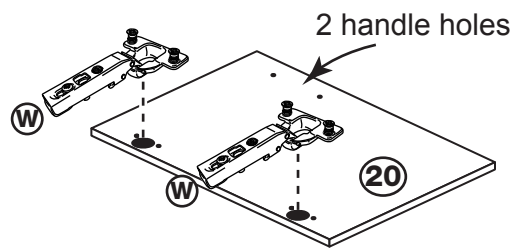
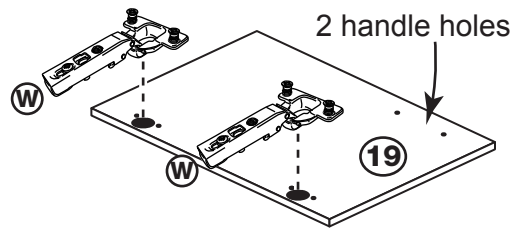
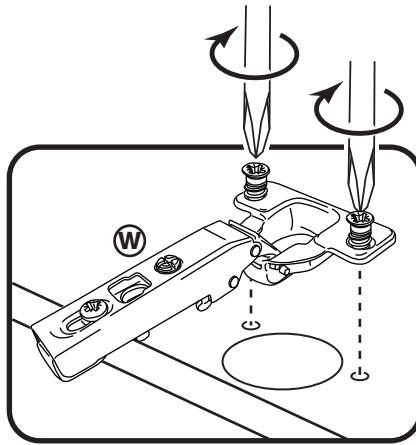


Note: Fit the top hinge 1st

## Step 40

### Prepare the 2 inner Doors

Push fit 2 Hinge Arms into each Door and secure them by tightening up their 2 screws.



## Step 41

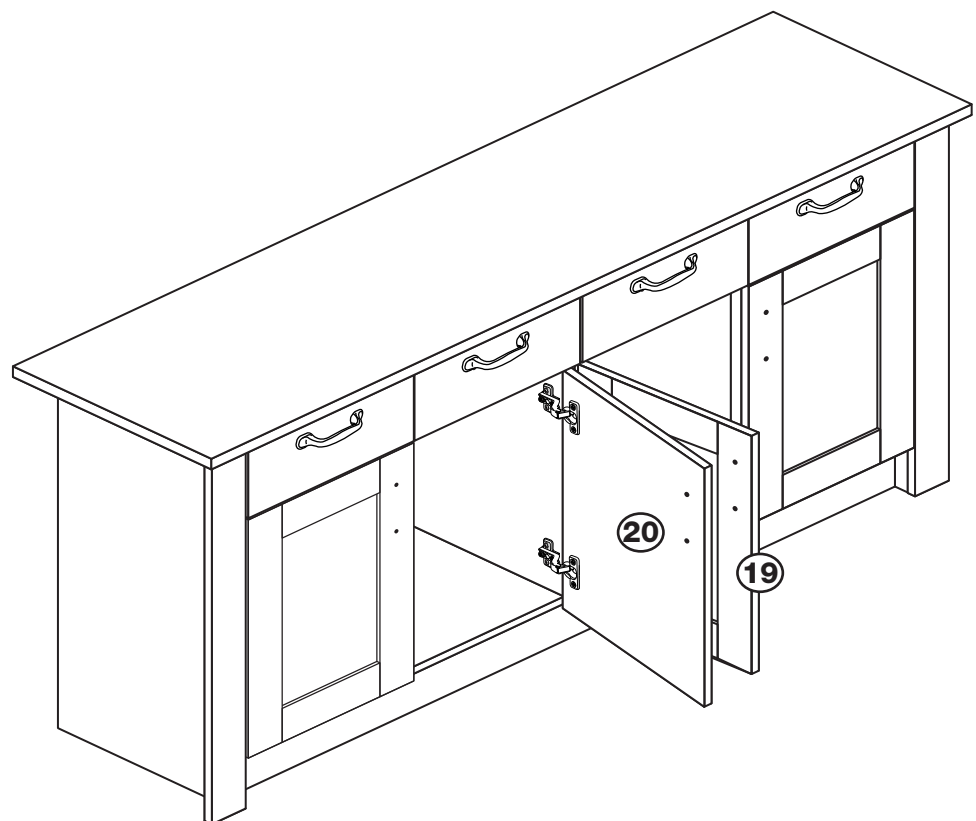
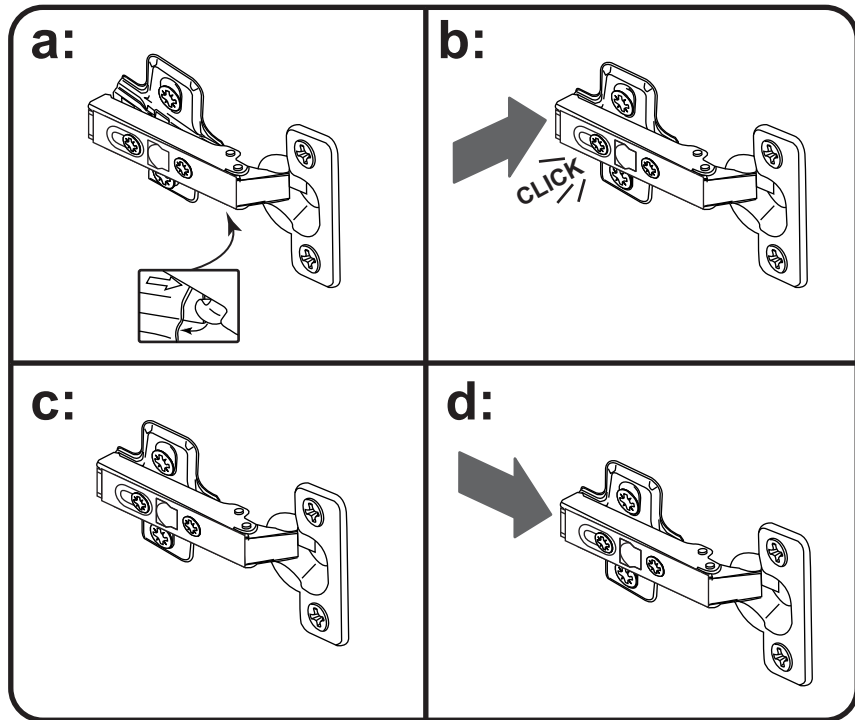
### Fit the Inner Doors

**a:** Push the hooks on the Hinge Arm underneath the front of the Hinge Plate.

**b:** Press the front of the Hinge Arm down onto the Hinge Plate until it 'clicks' into place.

**c:** The Hinge Arm must be flat against the Hinge Plate prior to any adjustment.

**d:** To separate the Hinge Arm and Plate press the button at the end of the Arm, and lift the Hinge Arm off the Plate.

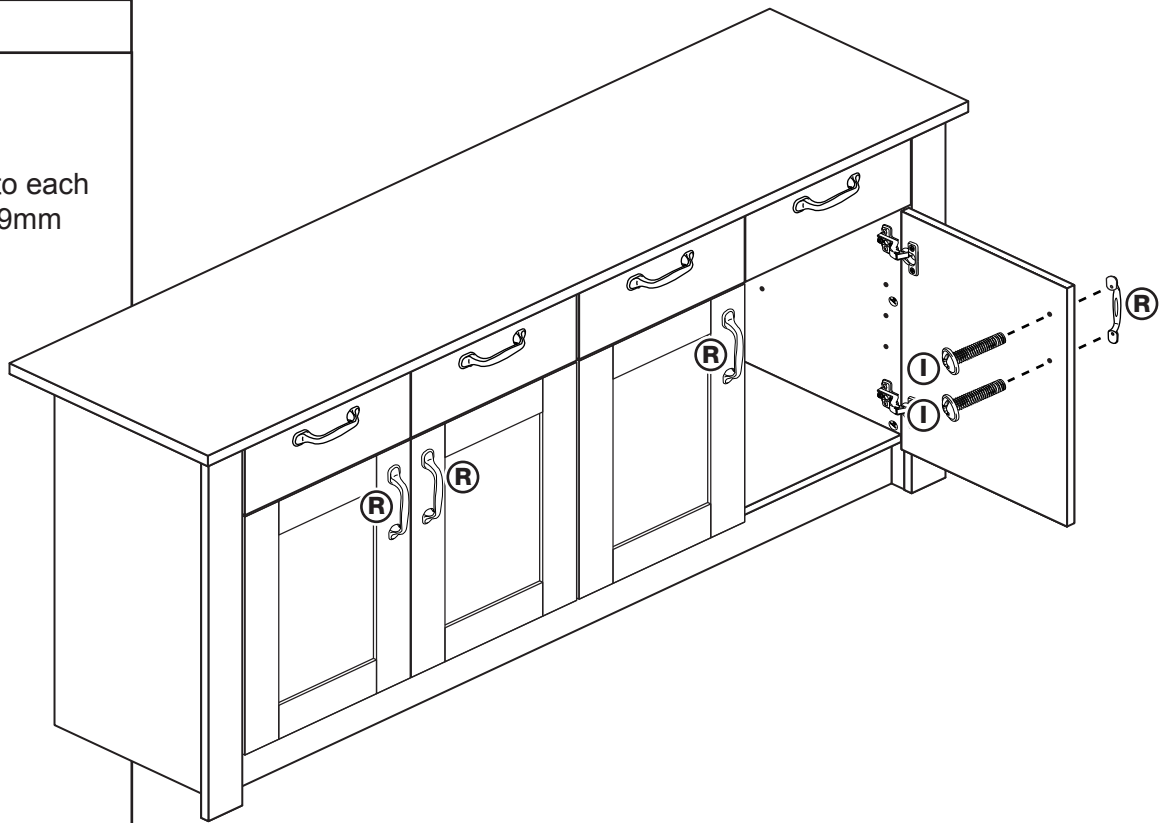




## Step 42

### Fit the Handles

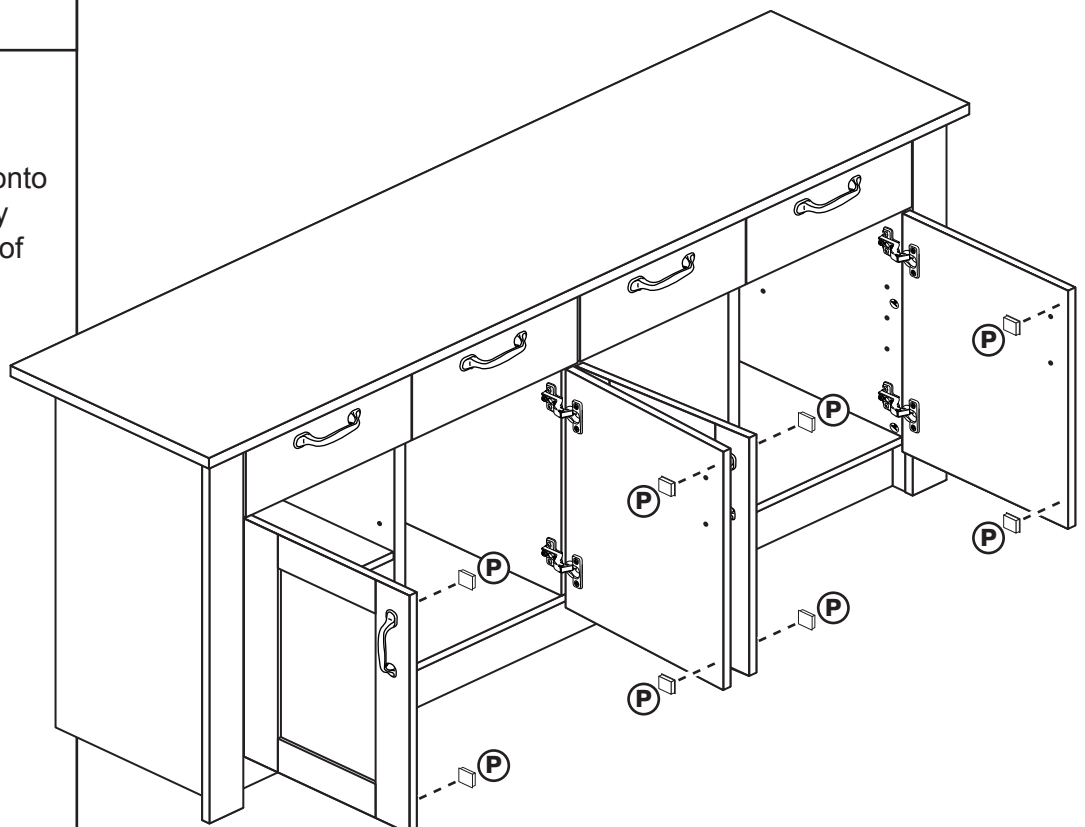
Attach a Handle to each Door using two 19mm Screws.



## Step 43

### Fit the Door Buffers

Stick 2 Door Buffers onto each Door where they will hit the front edge of the Dividers.



## Step 44

### Adjust the Doors if needed

**a:** Before adjusting the Doors, use a spirit level to check the Base (or Top) of the unit is level, front-to-back and side-to-side in the 3 positions shown. Use suitable packing pieces (not supplied) to make the unit level BEFORE making any adjustment to the hinges, as shown.

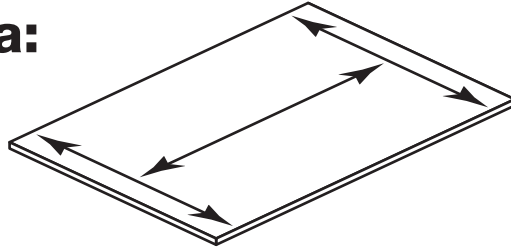
**b:** Height adjustment. Loosen Screws A on Hinge Plates and move Door up or down as required. Retighten Screw A.

**c:** Forward and Back adjustment. Loosen Screw B on Hinge Plate and move Door in or out as required. Retighten Screw B.

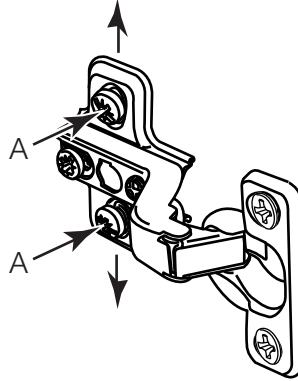
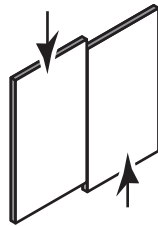
**d:** Sideways adjustment. To move Door 'out' loosen Screw C. To move Door 'in' tighten Screw C.

**NOTE:** This shows the Hinge and Plate fitted to the Outer Doors but the same method is used for the Inner Doors

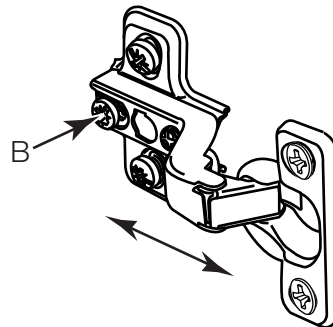
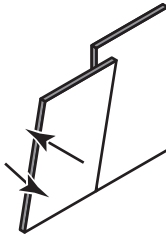
**a:**



**b:**



**c:**



**d:**

