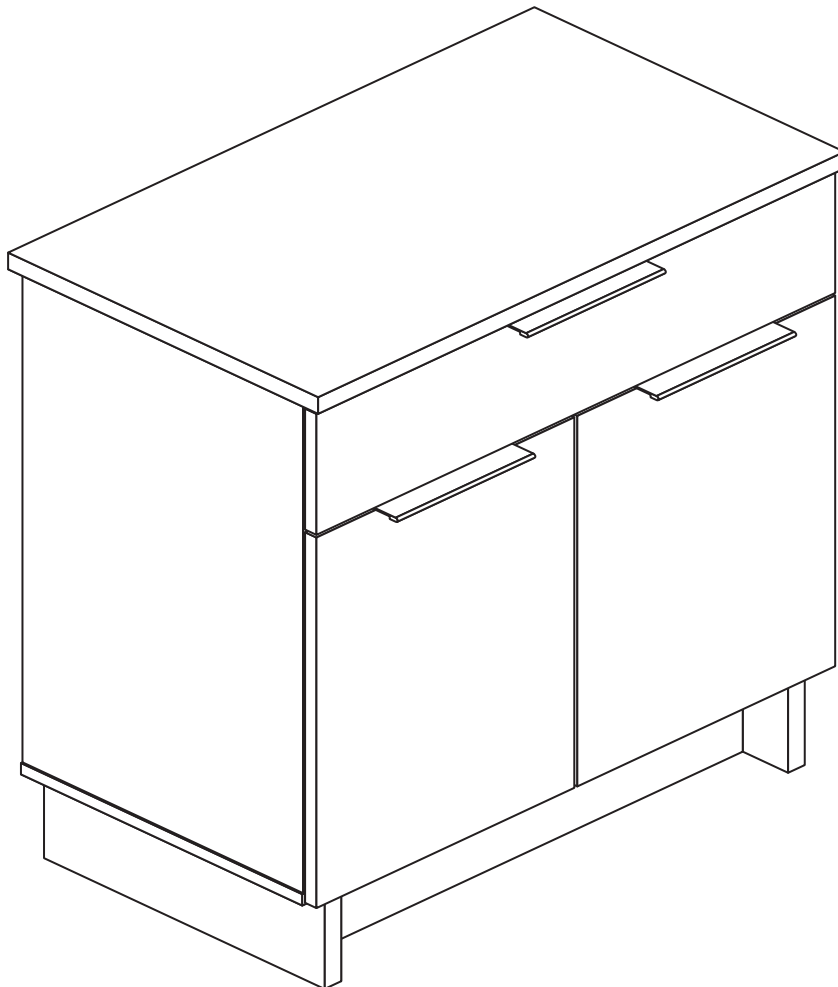


Assembly Instructions

Please keep for future reference



OakStyle Urban 110



Version 1 : 30/10/2019

Important - Please read these instructions fully before starting assembly

ALR3625

Safety and Care Advice

Important - Please read these instructions fully before starting assembly

- Warning: This unit is heavy. Please lift with care.

- Check you have all the components and tools listed.

- Remove all fittings from the plastic bags and separate them into their groups.

- Keep children and animals away from the work area, small parts could choke if swallowed.

- Parts of the assembly will be easier with 2 people.

- Make sure you have enough space to layout the parts before starting.

- Assemble the item as close to its final position (in the same room) as possible.

- Assemble on a soft level surface to avoid damaging the unit or your floor (use opened out unit carton).



- We do not recommend the use of power drill/drivers for inserting screws, as this could damage the unit. Only use hand screwdrivers.

- **Safety note: This unit must be secured to a wall using the overbalance protector kits supplied.**

- Dispose of all packaging carefully and responsibly.

Care and maintenance

- Only clean using a damp cloth and mild detergent, do not use bleach or abrasive cleaners.

- From time to time check that there are no loose screws on this unit.

- This product should not be discarded with household waste. Take to your local authority waste disposal centre.

Contact Us

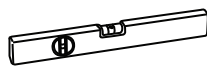
Aqua Pacific UK Ltd.
Unit 10, Oriana Way
Nursling Industrial Estate
Southampton
SO16 0YU

Tel +44 (0) 2380 734000
Fax +44 (0) 2380 740200
Sales@aquapacific.co.uk

Tools



Rule



Spirit level



Cross-head screwdriver



Flat-head screwdriver



Scissors



Hammer



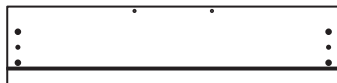
Eye protection
(when using a hammer or drill)



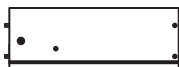
Electric drill
(do not use for fitting screws)

Panels

Please check you have all the panels listed below



1 Drawer Front
(DF-00020355)
(68.6 x 16cm)



2 Left Drawer Side
(WRP-00000052)
(35 x 12.4cm)



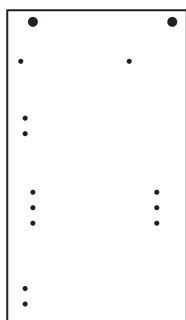
3 Right Drawer Side
(WRP-00000053)
(35 x 12.4cm)



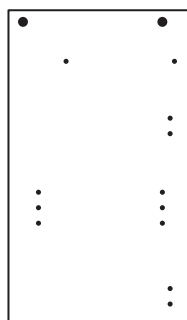
4 Drawer Back
(WRP-00000375)
(62.95 x 12.4cm)



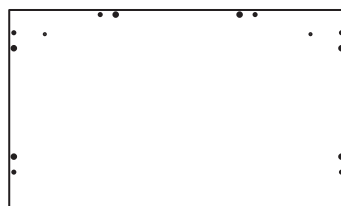
5 Drawer Base
(TDF-00020373)
(64.05 x 34.7cm)



6 Left Side
(DF-00020350)
(64.5 x 37.1cm)



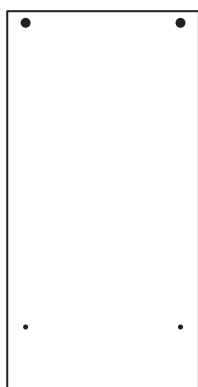
7 Right Side
(DF-00020349)
(64.5 x 37.1cm)



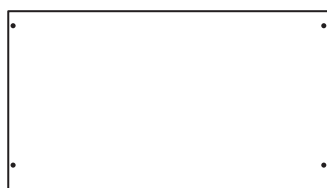
8 Top (DF-00020351)
(69.6 x 41cm)



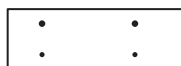
9 Base (DF-00020352)
(69.6 x 37.2cm)



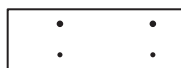
10 Back Panel
(DF-00020353)
(78.5 x 39.6cm)



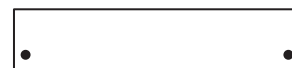
11 Shelf
(DF-00020374)
(66.2 x 36.9cm)



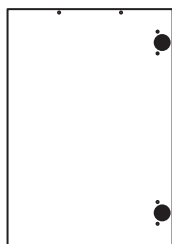
12 H-Frame LH Upright
(DF-00021046)
(37.1 x 12.5cm)



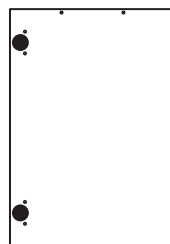
13 H-Frame RH Upright
(DF-00021249)
(37.1 x 12.5cm)



14 H-Frame Cross Rail
(DF-00021456)
(59.1 x 12.5cm) X 2



15 Left Door
(DF-00020354)
(49 x 34.1cm)

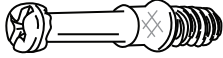

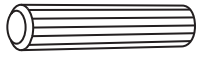
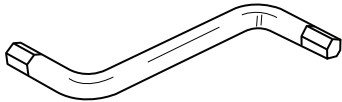


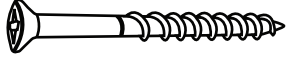




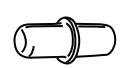


16 Right Door
(DF-00020955)
(49 x 34.1cm)

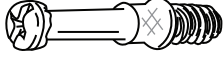




Fittings

Please check you have all the fittings listed below

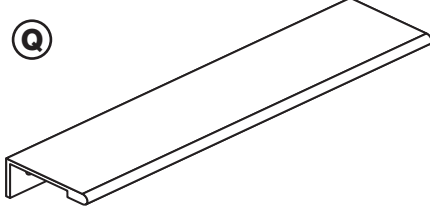
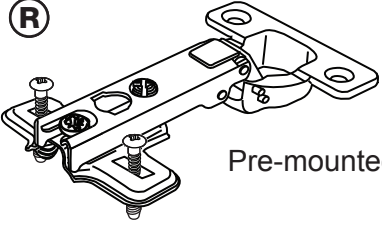


Bag 1

<p>A </p> <p>Large Metal Dowel (F901) x 10</p>	<p>B </p> <p>Large Locking Cam Nut (F900) x 10</p>	<p>C </p> <p>Wooden Dowel (F22) x 14</p>
<p>D </p> <p>Allen Key (F36) x 1</p>	<p>E </p> <p>50mm Screw (F49) x 4</p>	<p>F </p> <p>40mm Screw (F910) x 4</p>
<p>G </p> <p>45mm Screw (F65) x 2</p>	<p>H </p> <p>13mm Screw (F63) x 14</p>	<p>I </p> <p>9mm Screw (F73) x 4</p>
<p>J </p> <p>Shelf Support (F180) x 4</p>	<p>K </p> <p>Door Buffers (F137) x 4</p>	<p>L </p> <p>Shelf stud (F110) x 6</p> <p>★ These are for fixing the Hood. See separate instructions for fitting details.</p>

Bag 2

<p>A </p> <p>Large Metal Dowel (F901) x 2</p>	<p>M </p> <p>Small Locking Cam Nut (F900) x 2</p>	<p>N </p> <p>Knock-in Peg (F171GY) x 4</p>
<p>O </p> <p>9mm Screw (F74) x 2</p>	<p>P </p> <p>Back Holder (F639) x 6</p>	

Individual Bags

<p>Q </p> <p>Handle (HDL-00000092) x 3</p>	<p>R </p> <p>Pre-mounted hinge (F328) x 4</p>
<p>S </p> <p>Overbalance protector kit (F474) x 2</p>	<p>T </p> <p>Drawer runner (F1004) x 2</p>

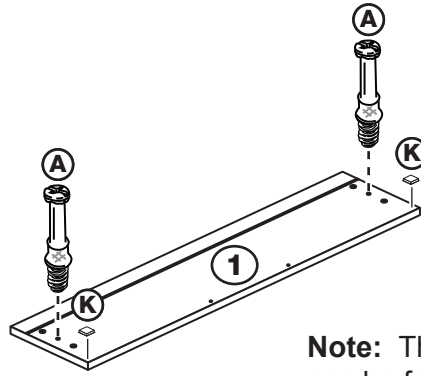
Step 1

Prepare the Drawer Front

Screw 2 Metal Dowels into the Drawer Front.

Note: Tighten the Metal Dowels up fully against the panel.

Stick a door buffer into the top corners of the Drawer Front.



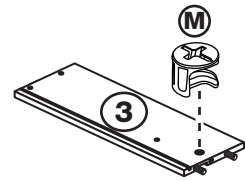
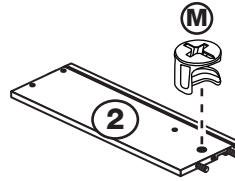
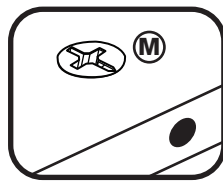
Note: The Door Buffers can be found in Bag 1

Step 2

Prepare the Drawer Sides

Insert a Small Locking Cam Nut into the Left Drawer Side and the Right Drawer Side.

Note: The arrow on the Small Locking Cam Nut must point towards the hole in the edge of the panel.



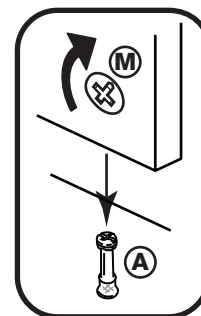
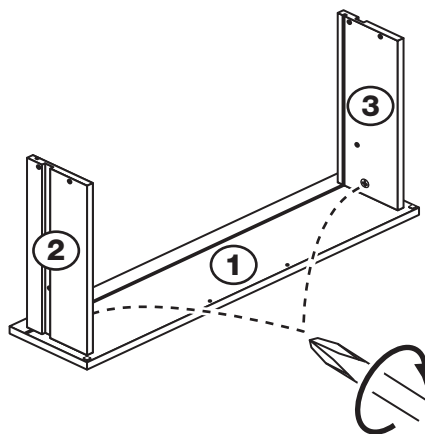
Step 3

Attach the Drawer Sides to the Drawer Front

Push the Drawer Side onto the back of the Drawer Front.

Turn the Small Locking Cam nuts on the Drawer Side.

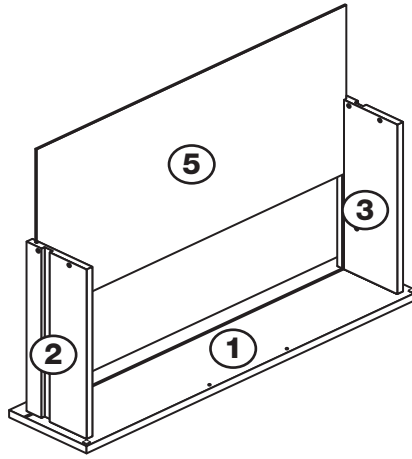
Note: Turn the Small Locking Cam nuts clockwise to secure the panels - more than 1/2 a turn.



Step 4

Fit the Drawer Base

Slide the Drawer Base down the grooves in the Drawer Sides and down into the groove in the Drawer Front.



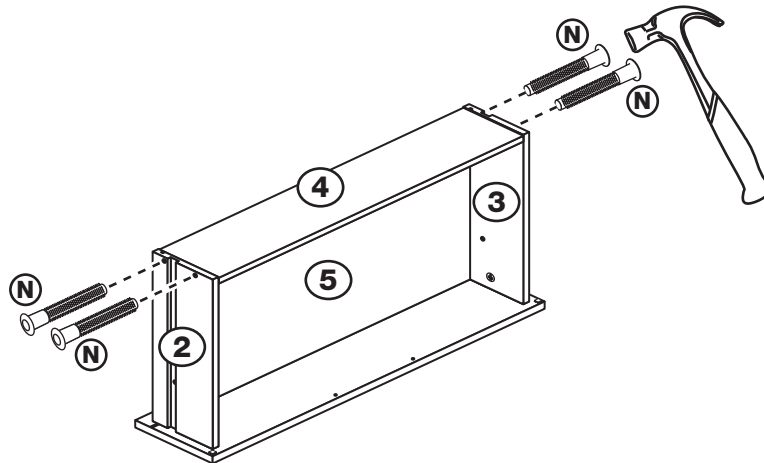
Step 5

Fit the Drawer Back

Fit the Drawer Back between the Drawer Sides.

Make sure that the Drawer Base fits into the groove in the Drawer Back.

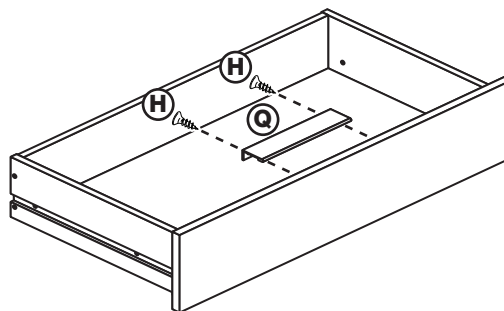
Hold the Drawer Back in position and tap the Knock-in Pegs through the holes in the Drawer Sides.



Step 6

Attach the Handle

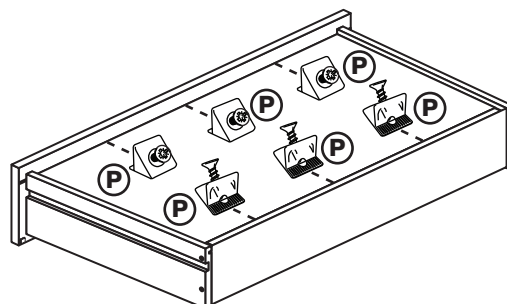
Attach the Handle to the Drawer Front using two 13mm Screws from Bag 1.



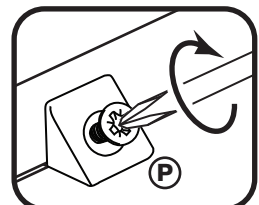
Step 7

Fit the Wedgefixes

Turn the drawer assembly over and slide 3 Wedgefixes into the front and back grooves, as shown, and tighten up the screws.



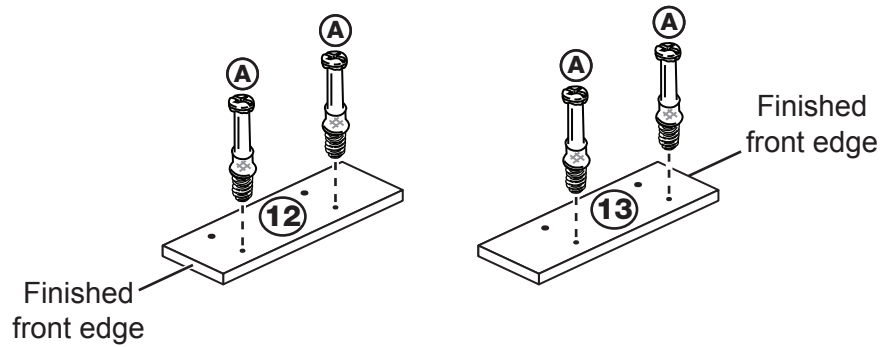
The Drawer assembly must be square before fitting the wedgefixes



Step 8

Prepare the 2 H-Frame Uprights

Screw 2 Metal Dowels into the H-Frame LH Upright and the H-Frame RH Upright.



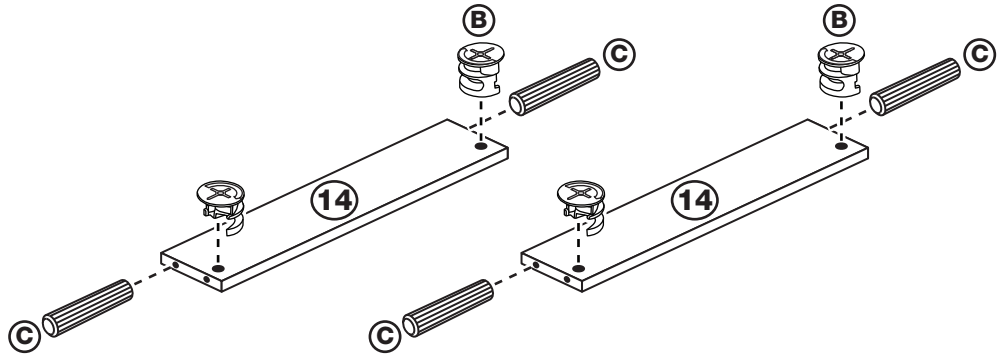
Step 9

Prepare the 2 H-Frame Cross Rails

Tap 2 Wooden Dowels into the H-Frame Cross Rails.

Insert 2 Large Locking Cam Nuts into the H-Frame Cross Rails.

Note: The arrow on the Large Locking Cam Nuts must point towards the hole in the edge of the panel.

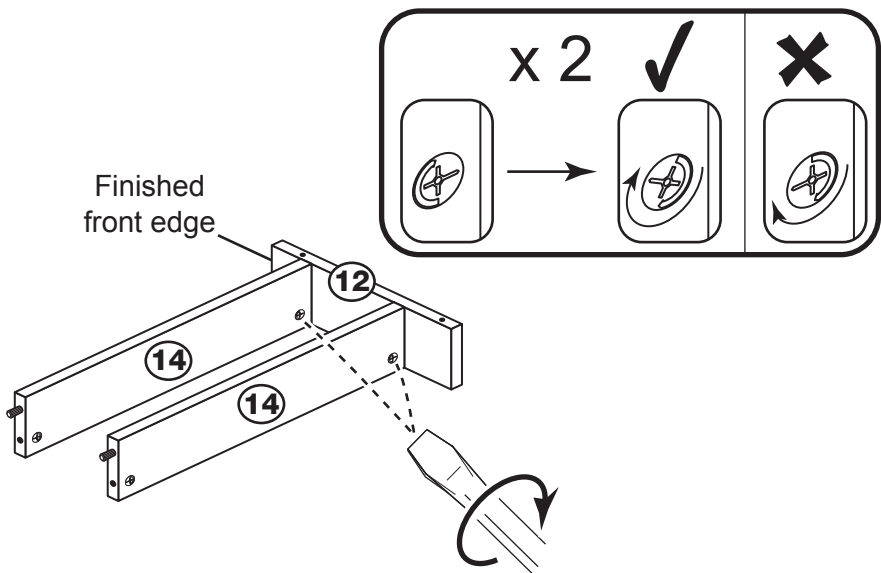


Step 10

Join the 2 H-Frame Cross Rails to the H-Frame LH Upright

Push the 2 H-Frame Cross Rails onto the H-Frame LH Upright.

Use a flat-head screwdriver to tighten the 2 Large Locking Cam Nuts fitted to the 2 H-Frame Cross Rails.

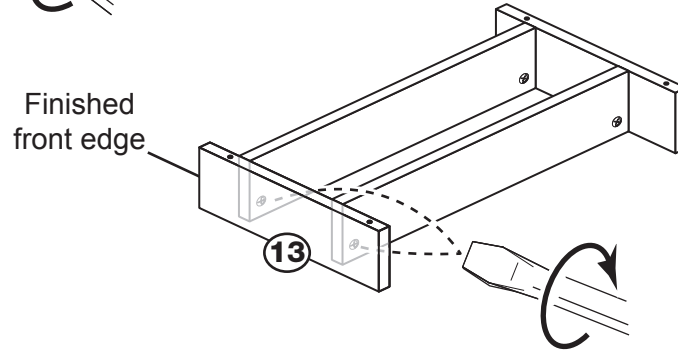
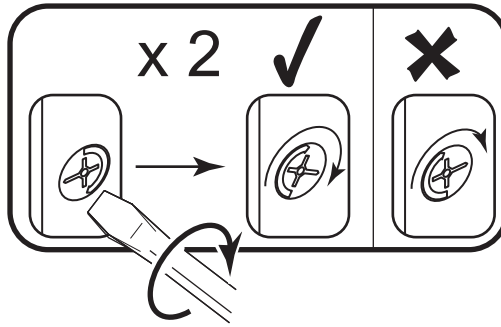


Step 11

Fit the H-Frame RH Upright

Push the H-Frame RH Upright onto the 2 H-Frame Cross Rails.

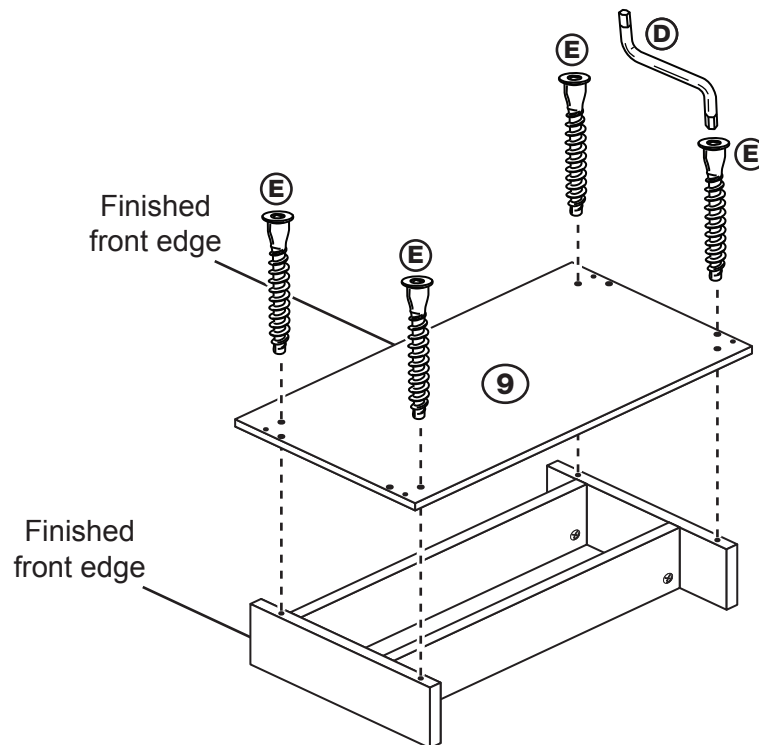
Use a flat-head screwdriver to tighten the 2 Large Locking Cam Nuts fitted to the 2 H-Frame Cross Rails.



Step 12

Add the Base

Lower the Base down onto the H-Frame and secure it using four 50mm Screws and the Allen Key, as shown.



Step 13

Prepare the Left Side

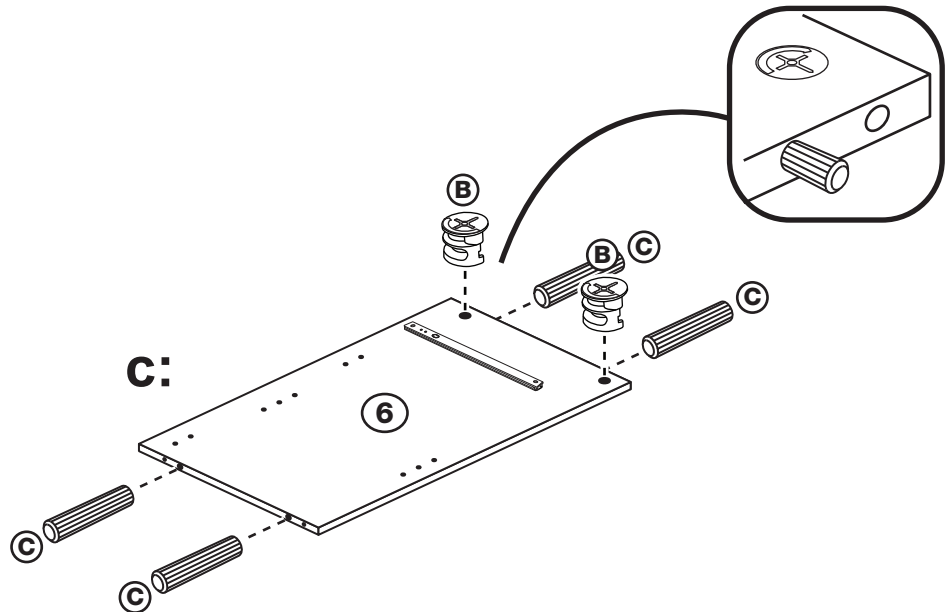
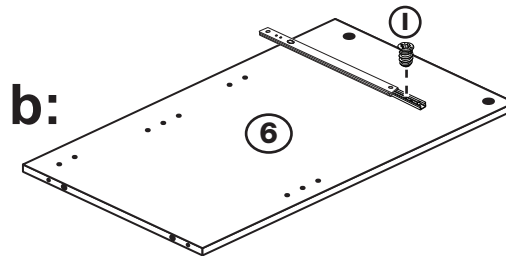
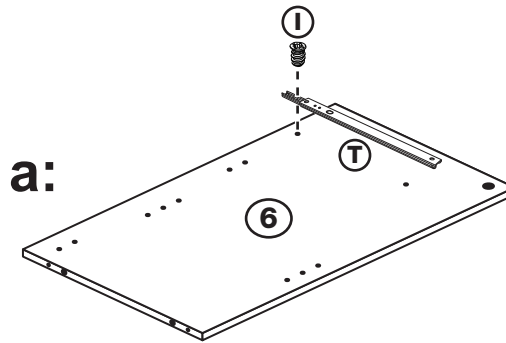
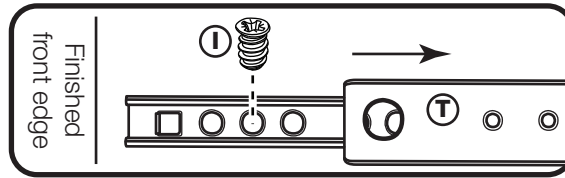
a: Place a runner on the Left Side, as shown. Slide back the top of Runner and use the 2nd hole from the front to fit the first 9mm Screw.

b: Slide the Runner back the other way and fit the second 9mm Screw into the corresponding hole in the Left Side.

c: Tap 4 Wooden Dowels into the Left Side.

Insert 2 Large Locking Cam Nuts into the Left Side.

Note: The arrow on the Large Locking Cam Nuts must point towards the hole in the edge of the panel.



Step 14

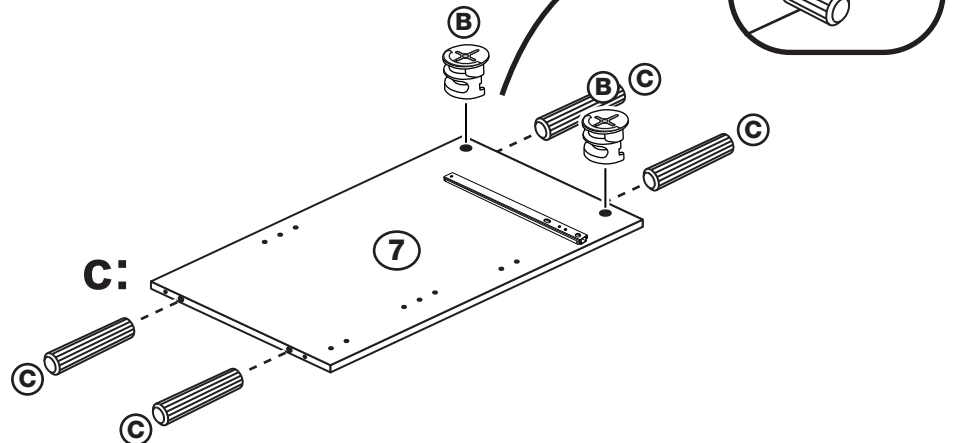
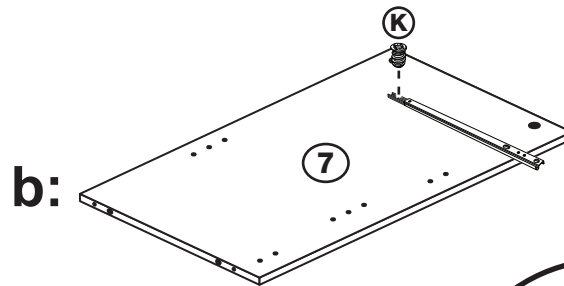
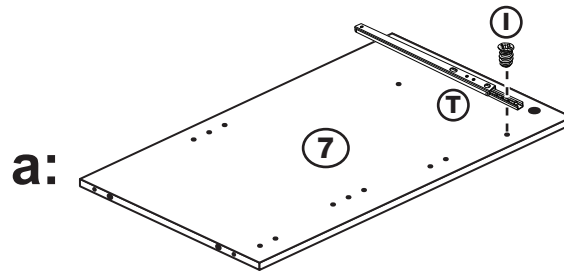
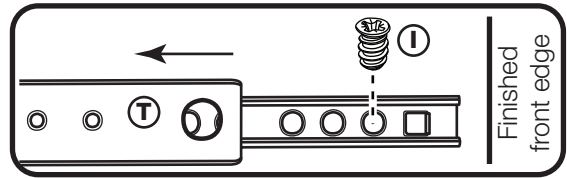
Prepare the Right Side

a: Place a runner on the Right Side, as shown. Slide back the top of Runner and use the 2nd hole from the front to fit the first 9mm Screw.

b: Slide the Runner back the other way and fit the second 9mm Screw into the corresponding hole in the Right Side.

c: Tap 4 Wooden Dowels into the Right Side.

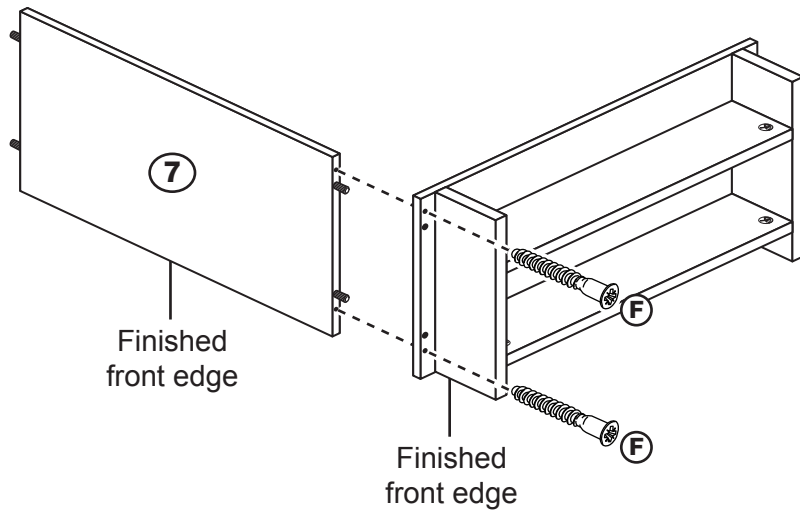
Insert 2 Large Locking Cam Nuts into the Right Side.



Step 15

Fit the Right Side to the Base

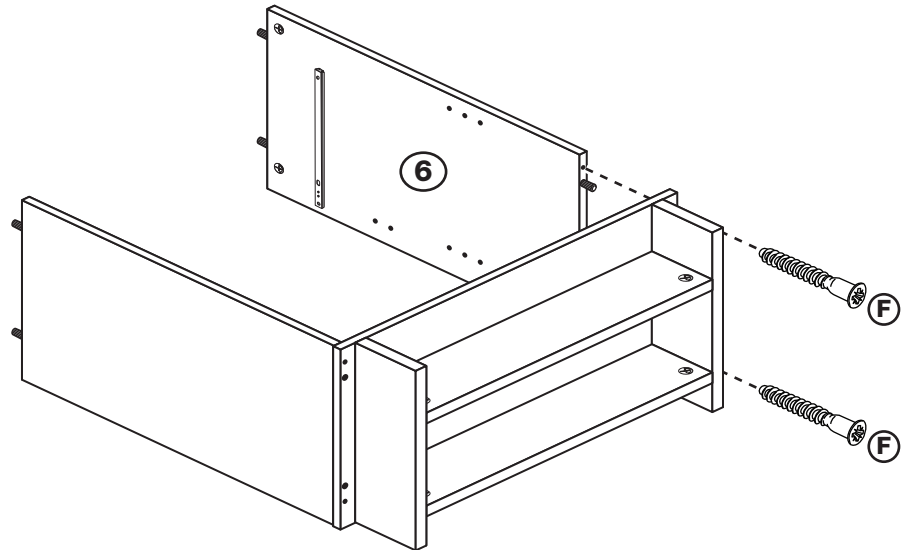
Attach the Right Side to the Base using two 40mm Screws.



Step 16

Fit the Left Side

Attach the Left Side to the Base using two 40mm Screws.



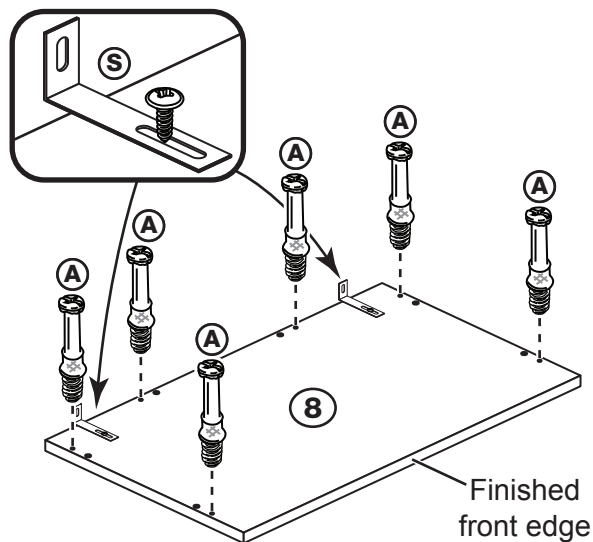
Step 17

Prepare the Top

Screw 6 Metal Dowels into the Top.

Fit the 2 Brackets from the Overbalance Protector Kit to the shallow mark-holes drilled into the Top using 1 of their Screws.

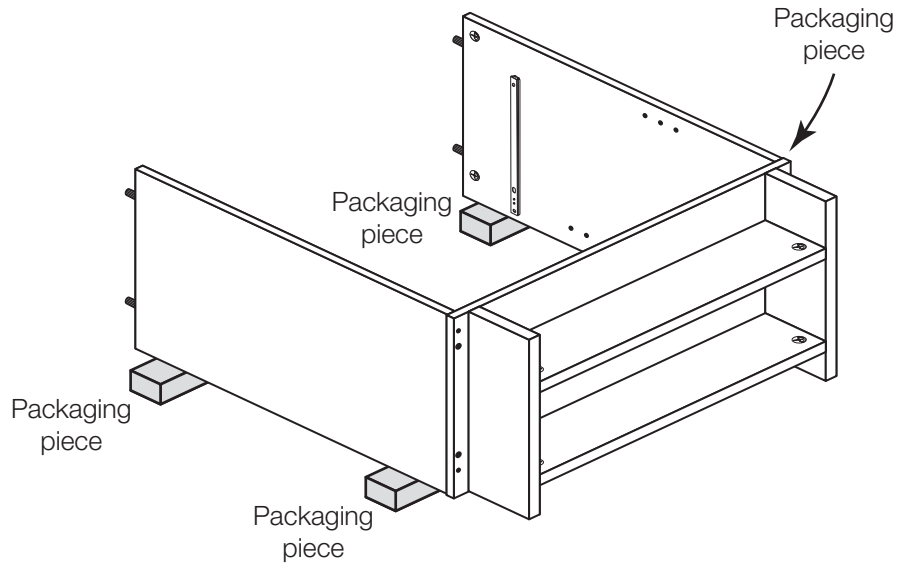
Note: Only fit 1 of the Screws, the other 1 will be fitted later.



Step 18

Raise the assembly

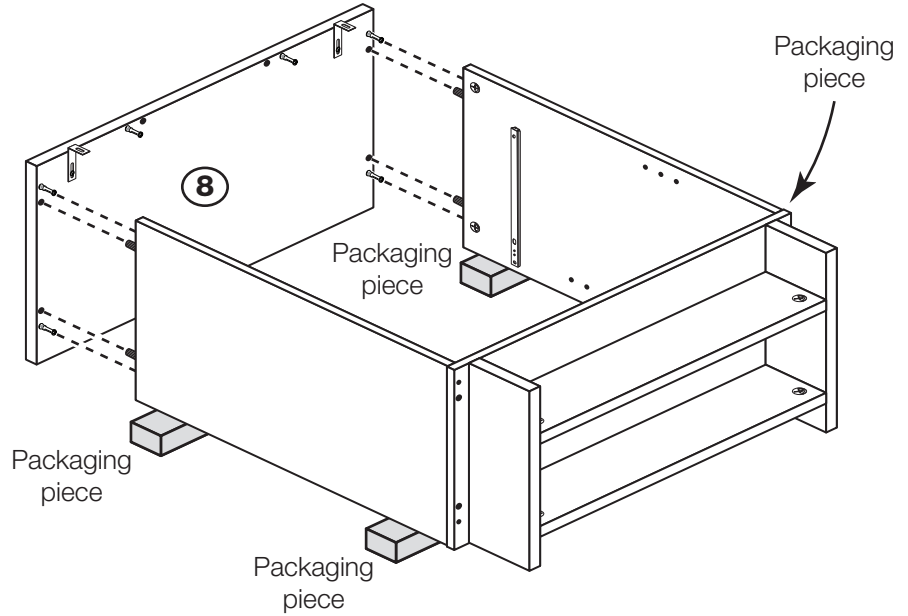
To make it easier to fit the Top Panel, place packaging pieces underneath the Side Panels to raise the assembly.



Step 19

Fit the Top

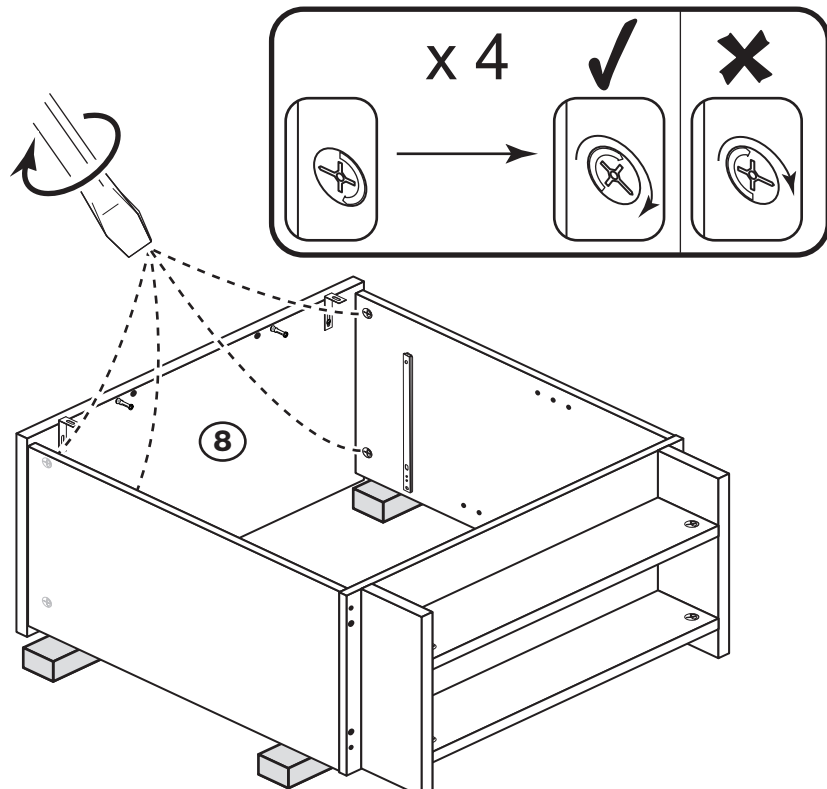
Push the Top Panel onto the 2 Side Panels.



Step 20

Secure the Top

Use a flat-head screwdriver to tighten the 4 Large Locking Cam Nuts fitted to the Sides.

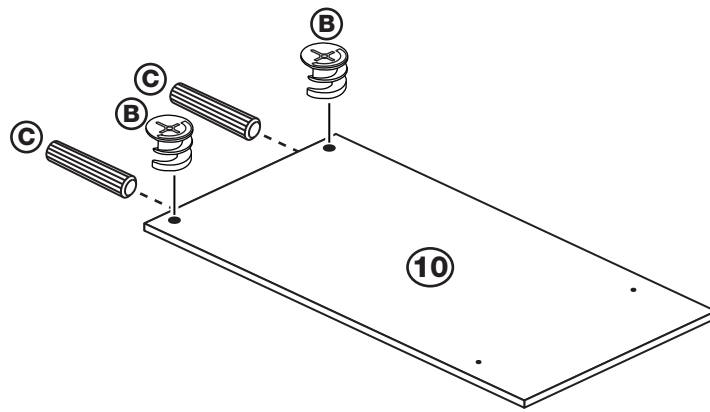


Step 21

Prepare the Back

Tap 2 Wooden Dowels into the Back.

Insert 2 Large Locking Cam Nuts into the Back.



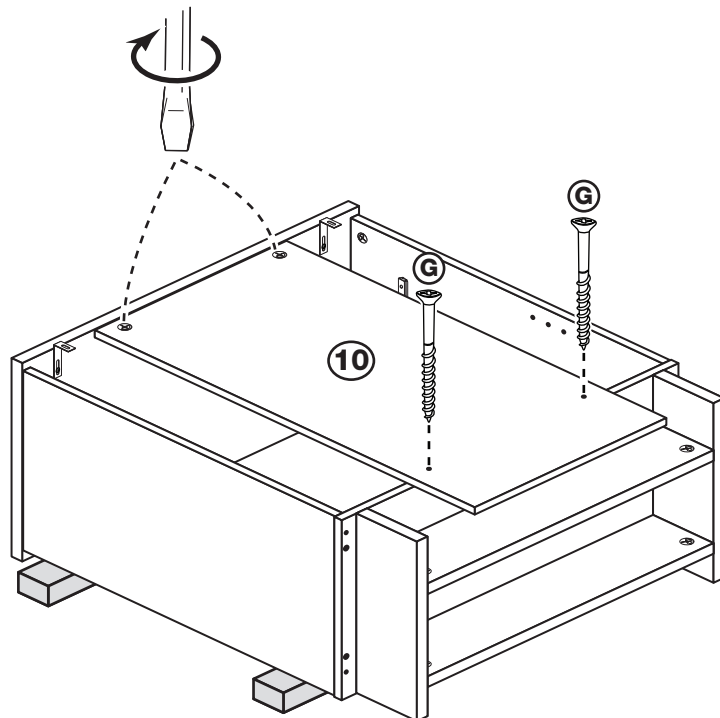
Step 22

Fit the Back

Push the Back onto the Top.

Use a screwdriver to tighten the 2 Large Locking Cam Nuts fitted to the Back.

Fix the Back to the Base with two 45mm Screws.



Step 23

Secure the unit to a wall

a: Before fitting the unit to a wall, use a spirit level to check the top of the unit is level, front-to-back and side-to-side in the 3 positions shown. Use suitable packing pieces (not supplied) to make the unit level.

To prevent possible overbalancing this unit must be secured to a suitable wall by fitting the Overbalance Protector Kit to a wall.

b: Push the unit up against the wall and slide the Brackets against the wall. Fit the 2nd Screws from the kit into the underside of the Top panel.

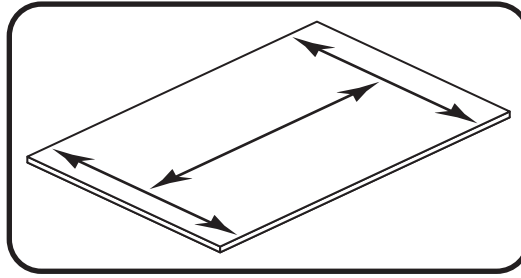
Mark the slot at the back of the Brackets for drilling into the wall.

Wall fixings are not supplied as they will need to suit the wall type.

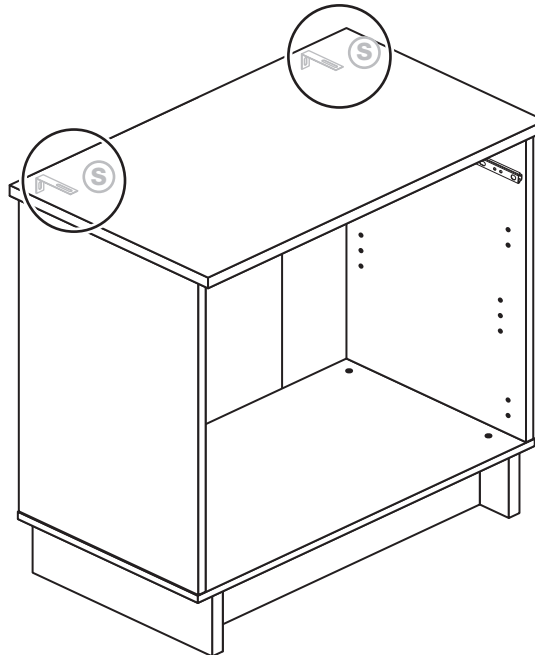
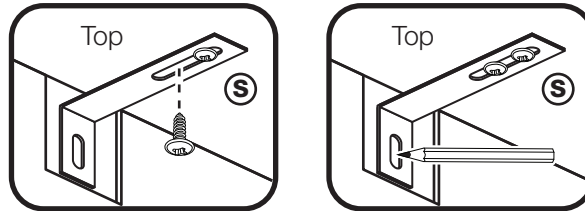
Take care when drilling the wall that you do not drill into any pipes, wires etc. If in doubt, consult an expert.

This unit must be fixed to a wall using the Overbalance Protector Kit provided

a:



b:



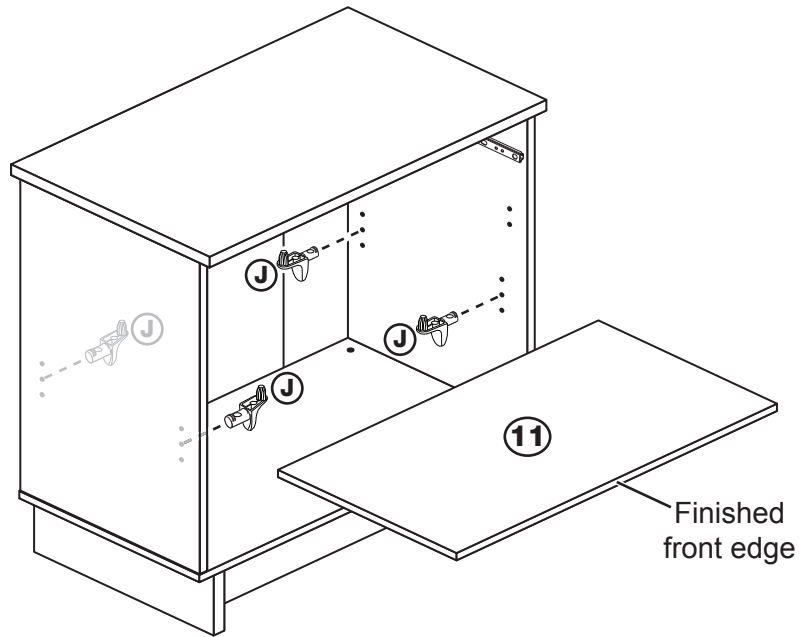
Step 24

Fit the Shelf

Push in 4 Shelf Supports at the required height.

Important: The prong of the Shelf Supports must be pointing upwards.

Position the holes in the Shelf over the Shelf Supports and push them down onto the prongs.

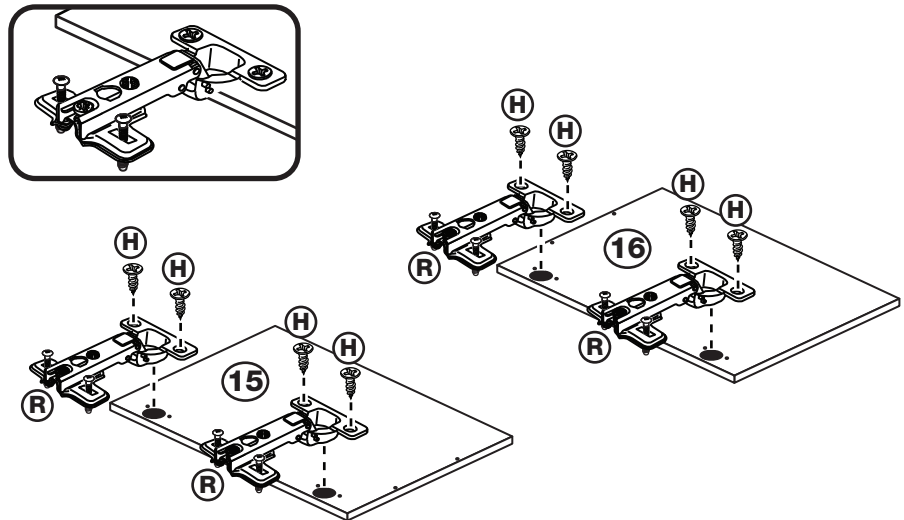


Step 25

Prepare the 2 Doors

Push fit 2 Hinges into each Door.

Secure each hinge with two 13mm Screws.



Step 26

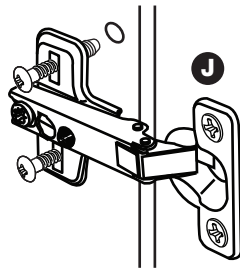
Fit the Doors

Line up the 2 screws in the top Hinge with the 2 holes at the top of the Side and push them in.

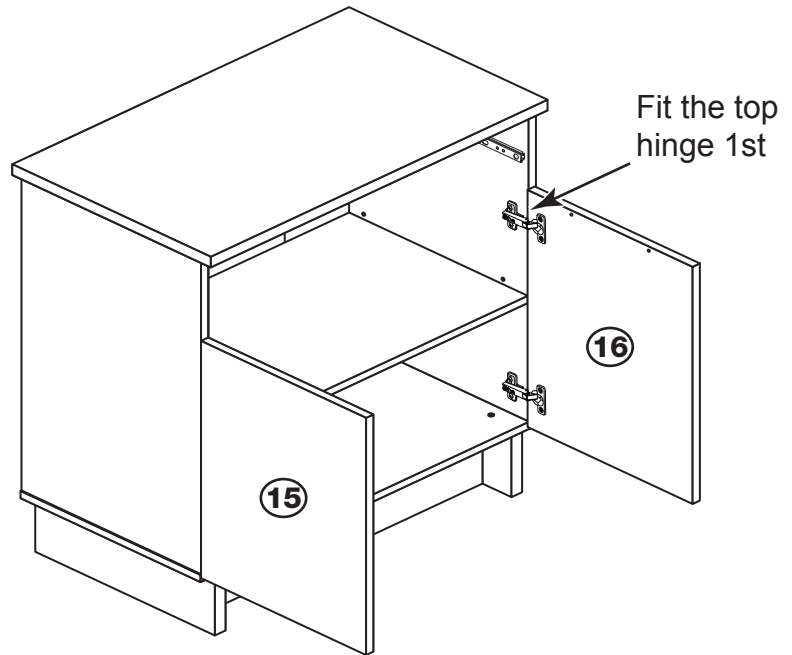
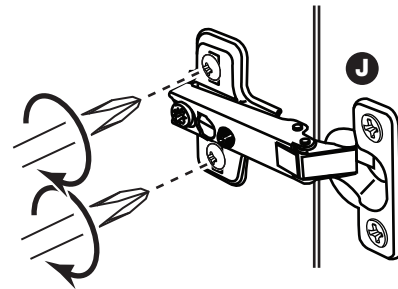
Now push in the other Hinge.

When the Hinges have been pushed into place, tighten their 2 screws.

Press the screws into the holes in the panels



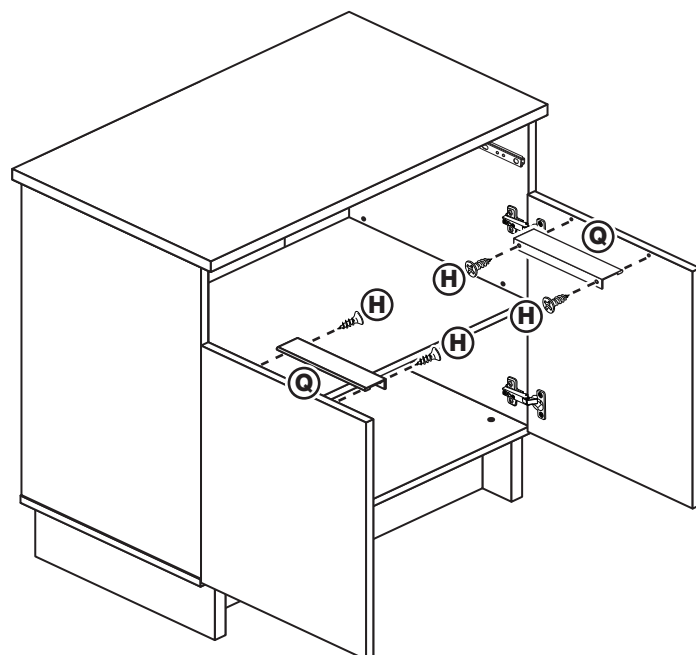
When the hinges have been pushed in, tighten up their screws



Step 27

Attach the Handles

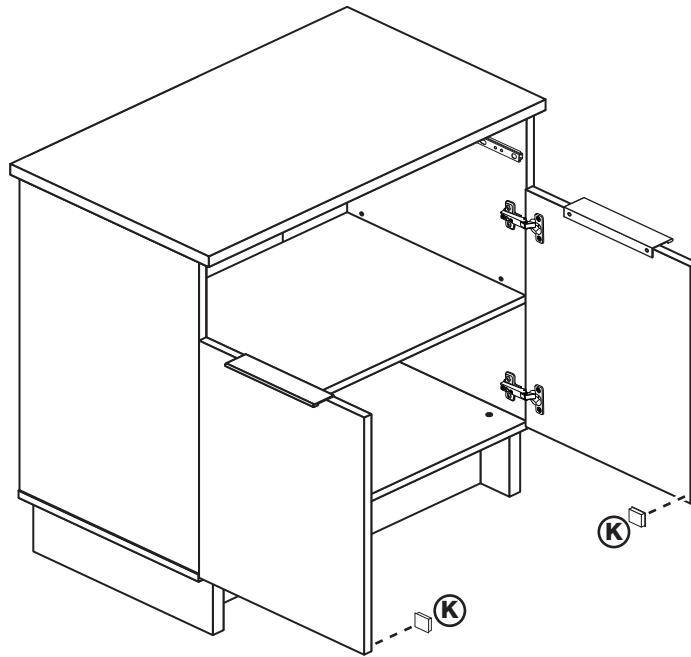
Attach a Handle to each of the Doors using two 13mm Screws.



Step 28

Fit the Door Buffers

Stick a door buffer onto the bottom corner of each Door.



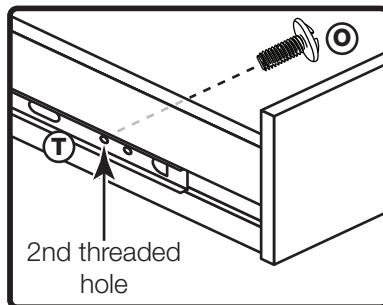
Step 29

Fit the Drawer

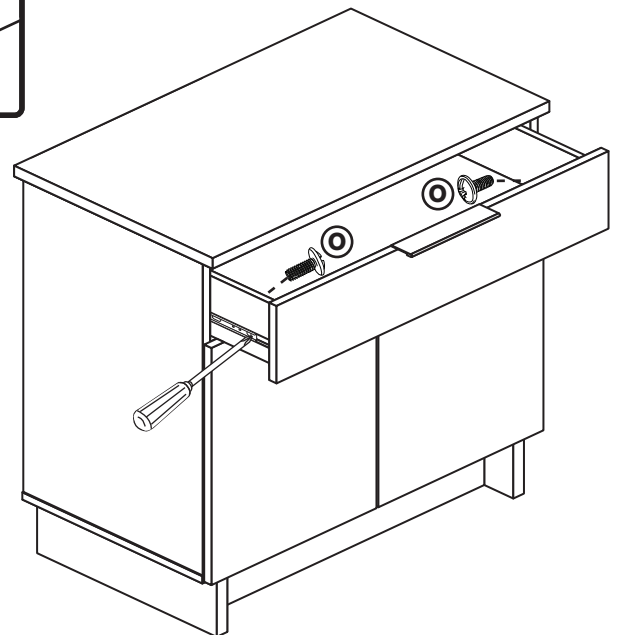
Slide both the Runners forward and locate the Drawer Sides between them, lining up their holes with the 2nd 'threaded' holes in the Runners.

Working from the inside of the Drawer, insert 2 9mm Screws through the Drawer Sides and out into the 2nd threaded hole in the Runner.

Note: Do not overtighten the Screws. If they catch on the Runner you may need to loosen them slightly.



The Runners could have sharp edges and we recommend that you position them using a Screwdriver.



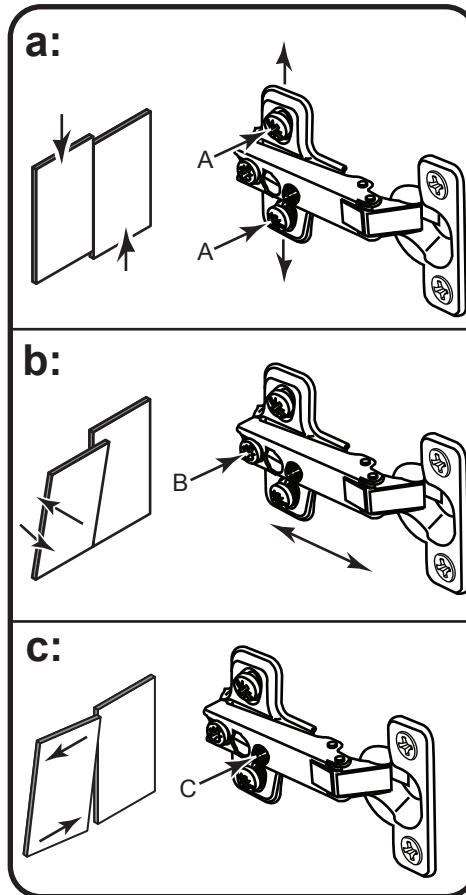
Step 30

Adjust the Doors if needed

a: Height adjustment.
Loosen Screws A on Hinge Plates and move Door up or down as required.
Retighten Screw A.

b: Forward and Back adjustment.
Loosen Screw B on Hinge Plate and move Door in or out as required.
Retighten Screw B.

c: Sideways adjustment.
To move Door 'out' loosen Screw C.
To move Door 'in' tighten Screw C.



Step 31

Assembly is complete

