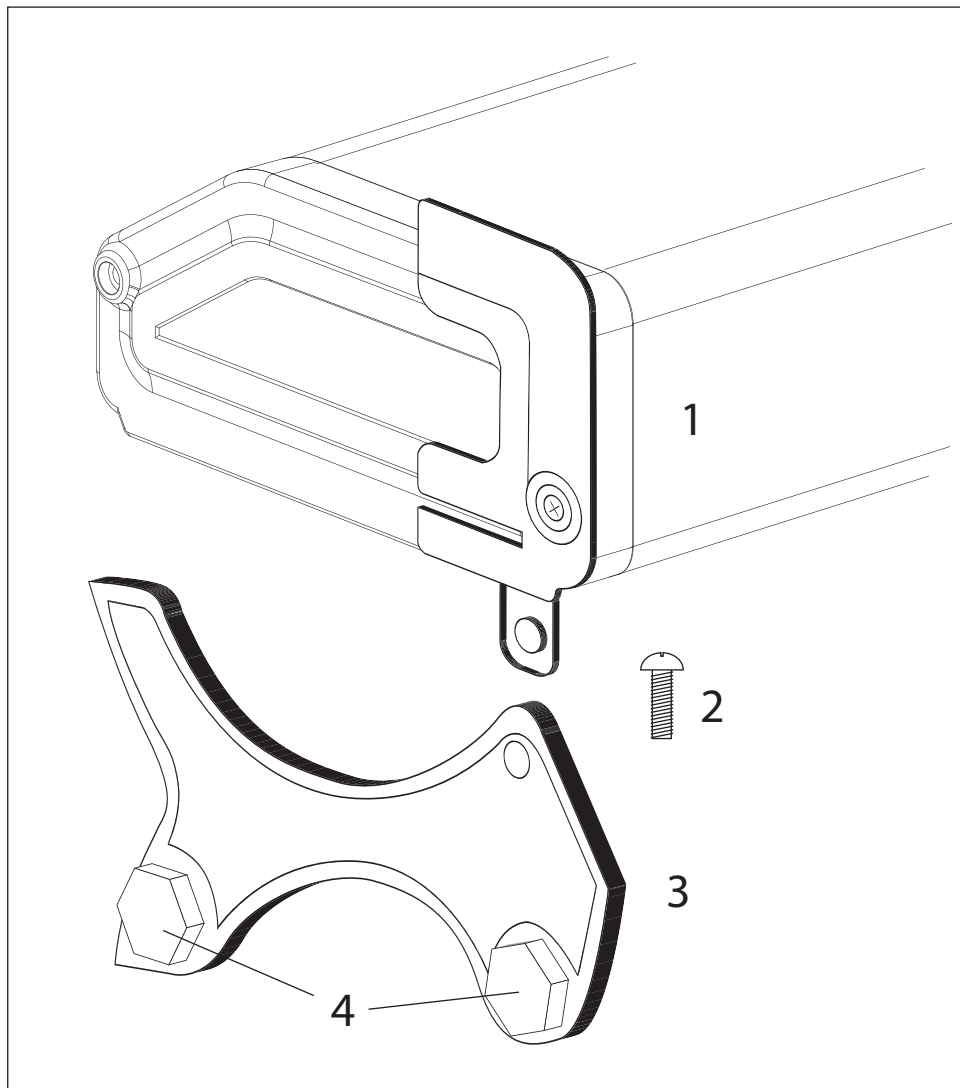


Light Unit Installation

1. Align the holes on the plastic bracket on the light unit (1) and the tank bracket (3). The tank bracket should be on the outside of the light unit.
2. Screw the plastic bolt (2) into the brackets to connect the units. Do not overtighten as this may damage some of the plastic parts.
3. Place the light unit on the sides of the aquarium, ensuring the tank brackets sit firmly over the glass.
4. Tighten the fastening bolts to secure the light unit on the aquarium.



- | | |
|-----------------|-------------------|
| 1. Light Unit | 3. Tank Bracket |
| 2. Plastic Bolt | 4. Fastening Bolt |