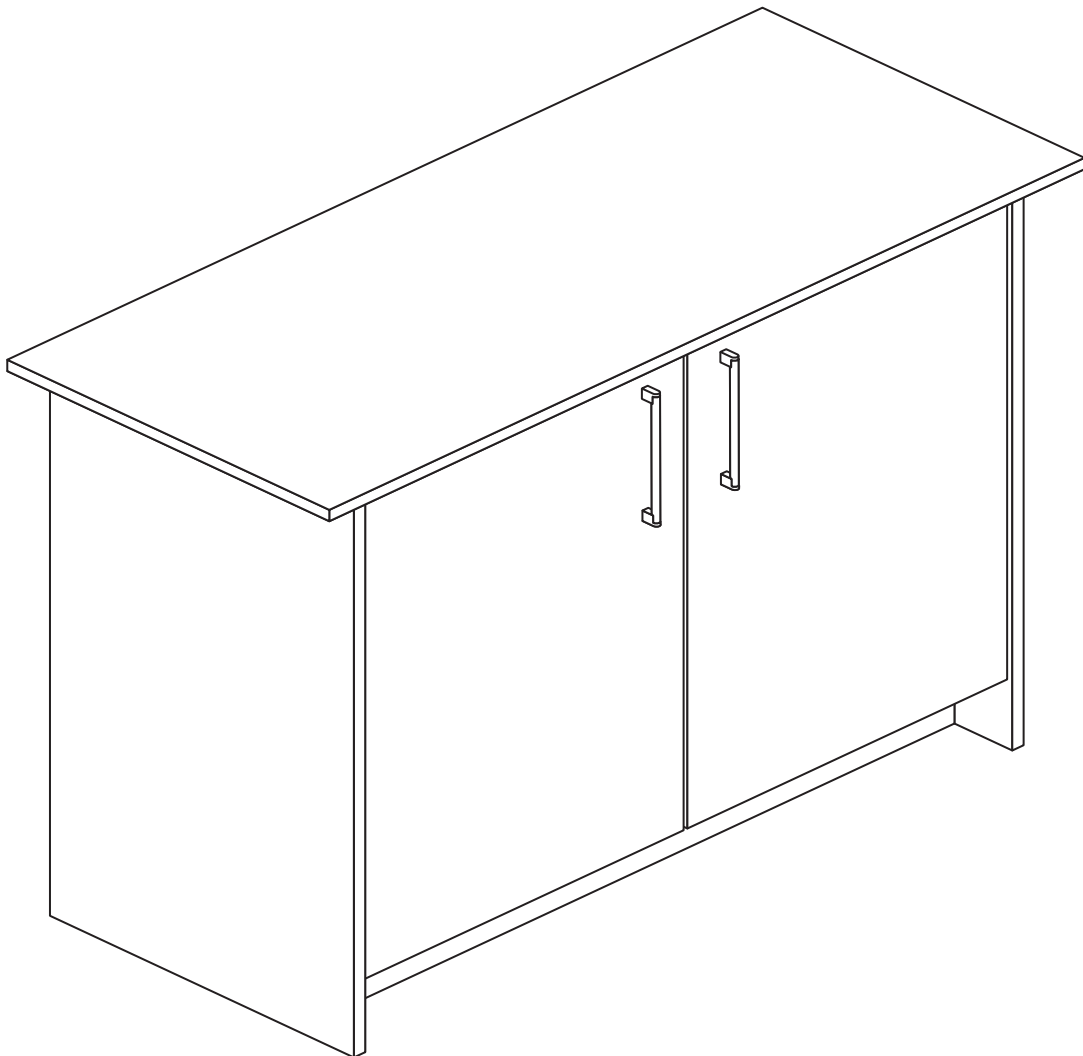


Assembly Instructions

Please keep for future reference



Vogue 100



Version 1 : 13/10/2014

Important - Please read these instructions fully before starting assembly

ALR3089

Safety and Care Advice

Important - Please read these instructions fully before starting assembly

- Warning: This unit weighs approximately 27kgs. Please lift with care.
- Check you have all the components and tools listed.
- Remove all fittings from the plastic bags and separate them into their groups.
- Keep children and animals away from the work area, small parts could choke if swallowed.
- Parts of the assembly will be easier with 2 people.
- Make sure you have enough space to layout the parts before starting.
- Assemble the item as close to its final position (in the same room) as possible.
- Assemble on a soft level surface to avoid damaging the unit or your floor (use opened out unit carton).
- We do not recommend the use of power drill/drivers for inserting screws, as this could damage the unit. Only use hand screwdrivers.
- Safety note: If there is any chance of this unit being pulled over by children etc. it is recommended that the unit is secured to a wall using suitable fixings (not supplied).
- Dispose of all packaging carefully and responsibly.



Care and maintenance

- Only clean using a damp cloth and mild detergent, do not use bleach or abrasive cleaners.
- From time to time check that there are no loose screws on this unit.
- This product should not be discarded with household waste. Take to your local authority waste disposal centre.

Contact Us

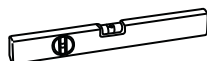
Aqua Pacific UK Ltd.
Unit 10, Oriana Way
Nursling Industrial Estate
Southampton
SO16 0YU

Tel +44 (0) 2380 734000
Fax +44 (0) 2380 740200
Sales@aquapacific.co.uk

Tools



Rule



Spirit level



Cross-head screwdriver



Scissors



Hammer



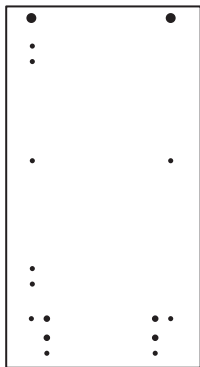
Eye protection
(when using a hammer or drill)



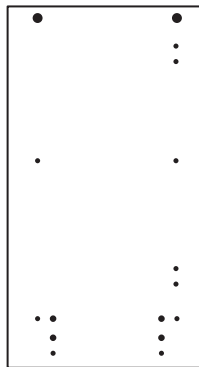
Electric drill
(do not use for fitting screws)

Panels & Fittings

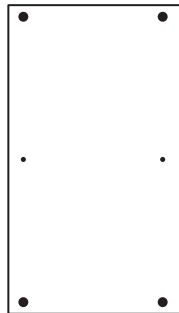
Please check you have all the panels and fittings listed below



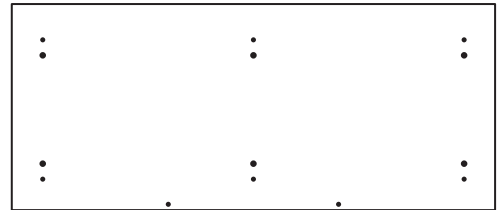
1 Left Side (DF600)
(747 x 402mm)



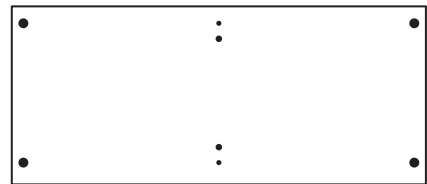
2 Right Side (DF601)
(747 x 402mm)



3 Divider (DF606)
(638 x 364mm)



4 Top (DF617)
(1000 x 426mm)



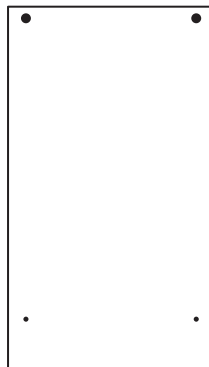
5 Base (DF618)
(856 x 366mm)



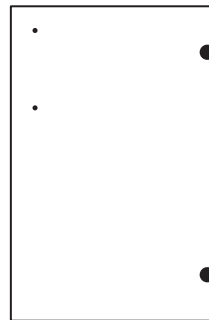
6 Plinth (DF619)
(856 x 94mm) x 2



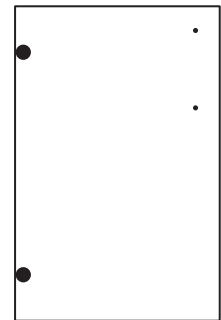
7 Loose Shelf (DF621)
(420.5 x 362mm)



8 Back (DF1727)
(747 x 426mm)



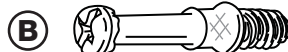
9 Left Door (DF620)
(650 x 423mm)



10 Right Door (D2225A)
(650 x 423mm)



Wooden Dowel (F22) x 16



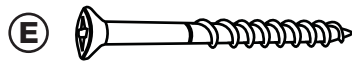
Large Metal Dowel (F901) x 18



Large Locking Nut (F900) x 18



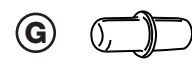
13mm Screw (F63) x 8



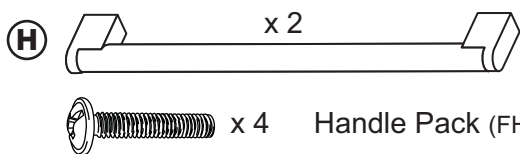
45mm Screw (F65) x 2



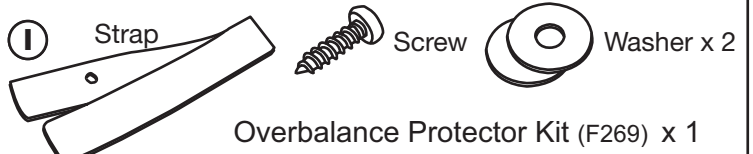
Plastic Nail (F91) x 8



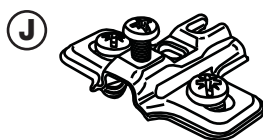
Shelf Stud (F110) x 4



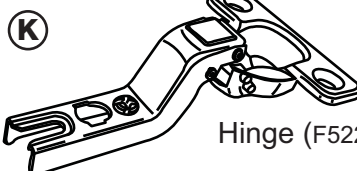
Handle Pack (FHK8)



Overbalance Protector Kit (F269) x 1



Hinge Plate (F523) x 4



Hinge (F522) x 4

Step 1

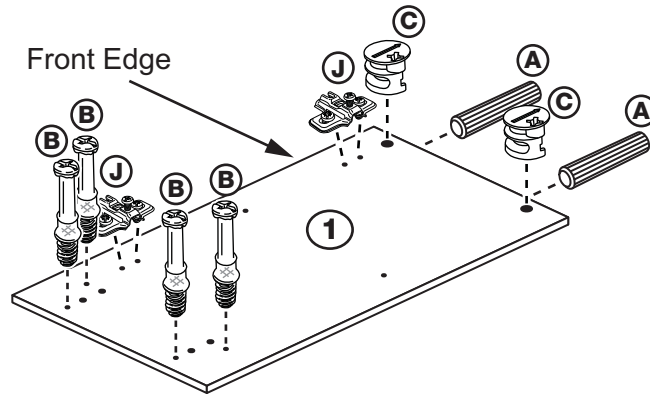
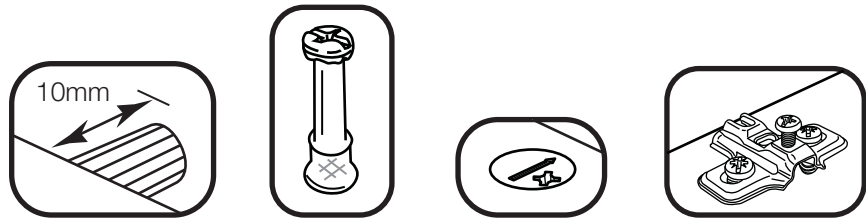
Prepare the Left Side

Tap 2 Wooden Dowels into the Left Side.

Screw 4 Metal Dowels into the Left Side.

Insert 2 Large Locking Nuts into the Left Side.

Fit 2 Hinge Plates onto the Left Side, making sure that the slot is facing towards the edge.



Step 2

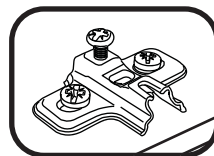
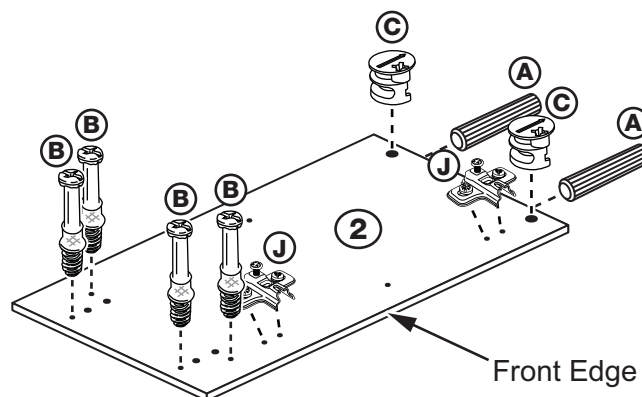
Prepare the Right Side

Tap 2 Wooden Dowels into the Right Side.

Screw 4 Metal Dowels into the Right Side.

Insert 2 Large Locking Nuts into the Right Side.

Fit 2 Hinge Plates onto the Right Side, making sure that the slot is facing towards the edge.



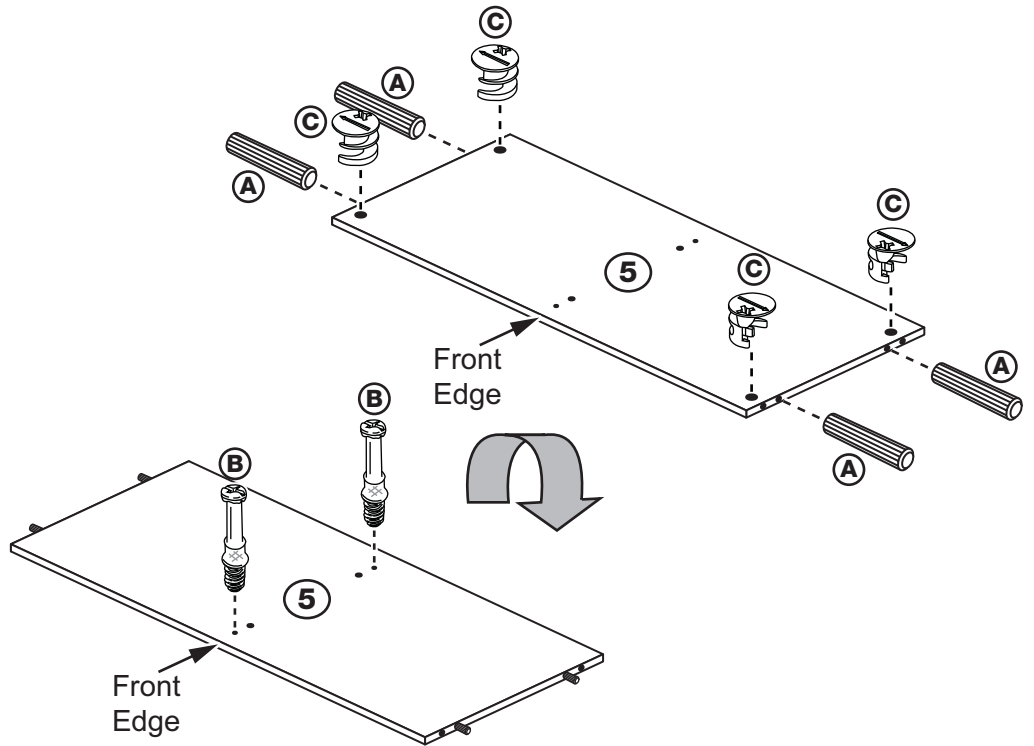
Step 3

Prepare the Base

Tap 4 Wooden Dowels into the Base.

Insert 4 Large Locking Nuts into the Base.

Turn the Base over and screw in 2 Metal Dowels.



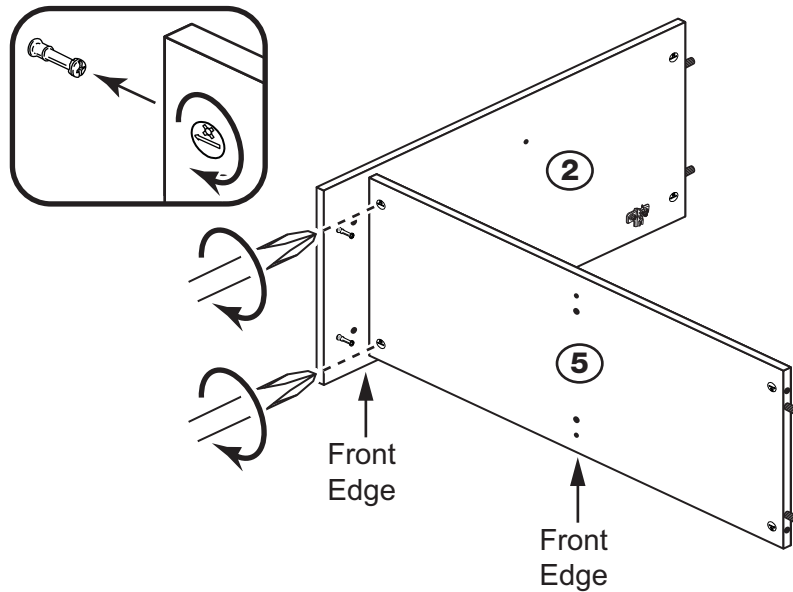
Step 4

Fit the Base to the Right Side

Push the Base onto the Right Side.

Use a screwdriver to tighten the 2 Large Locking Nuts fitted to the Base.

Note: Turn the large locking nuts as far as they will go - more than 1/2 a turn.

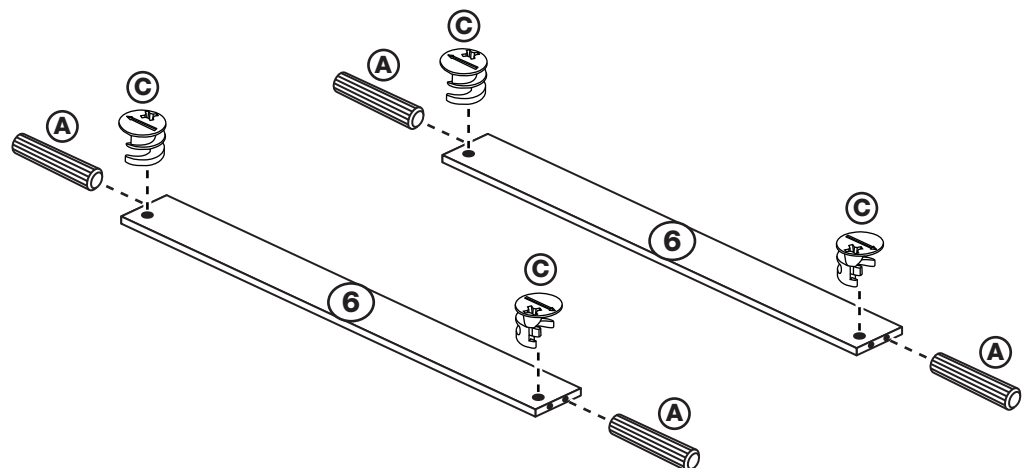


Step 5

Prepare the 2 Plinths

Tap 2 Wooden Dowels into each of the 2 Plinths.

Insert 2 Large Locking Nuts into each of the 2 Plinths.



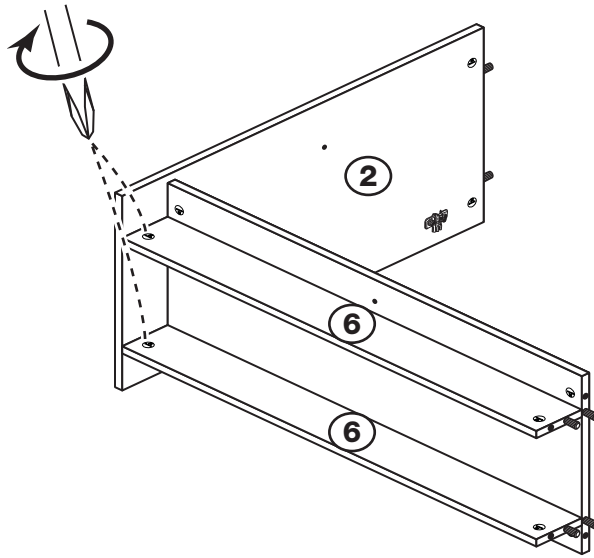
Step 6

Fit the 2 Plinths

Push the 2 Plinths onto the Right Side.

Use a screwdriver to tighten the Large Locking Nut fitted to each Plinth.

Support the Plinths until the Left Side is fitted in the next step.



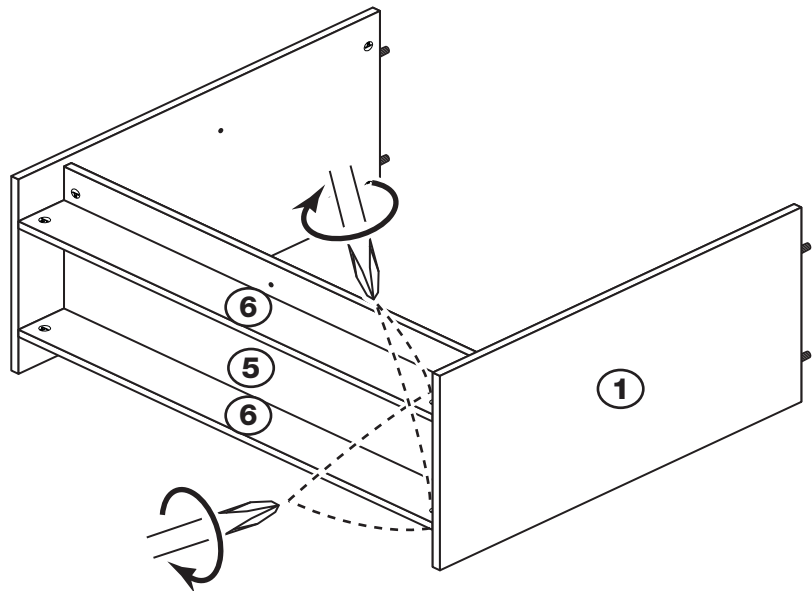
Step 7

Fit the Left Side

Push the Left Side onto the assembly.

Use a screwdriver to tighten the 4 Large Locking Nuts fitted to the Base and Plinths.

Stand the unit up.

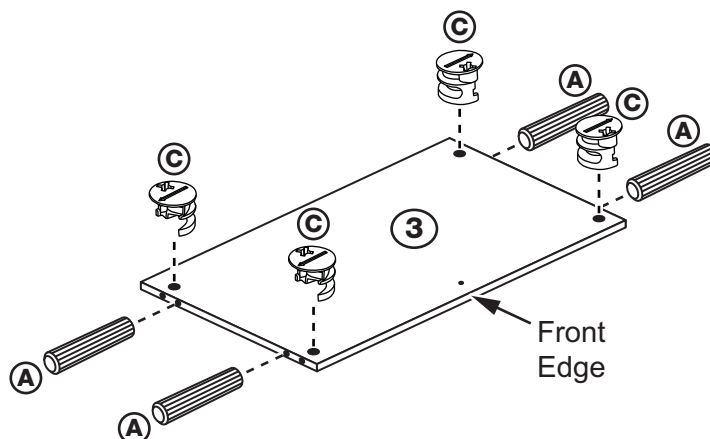


Step 8

Prepare the Divider

Tap 4 Wooden Dowels into the Divider.

Insert 4 Large Locking Nuts into the Divider.

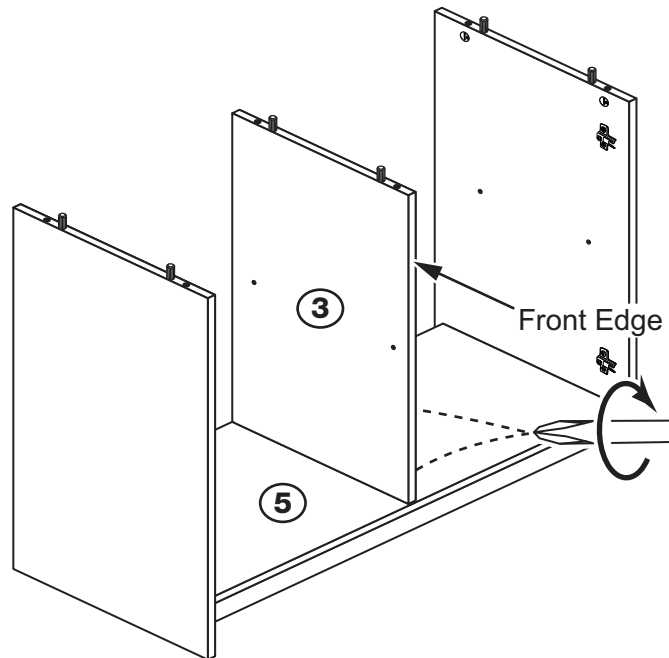


Step 9

Fit the Divider

Push the Divider down onto the Base.

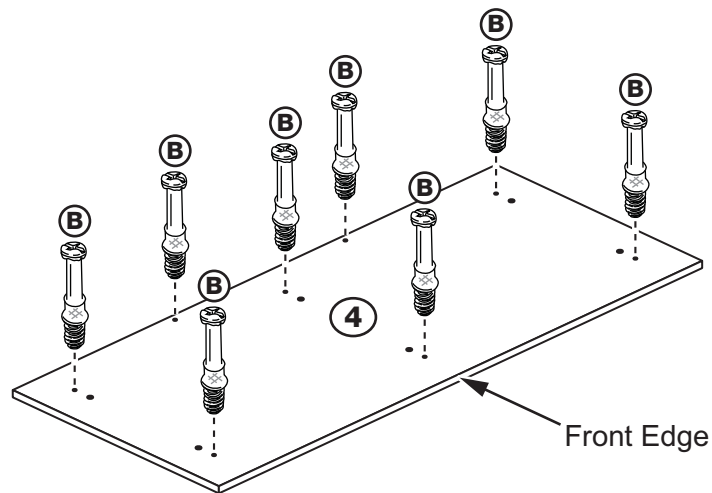
Use a screwdriver to tighten the 2 Large Locking Nuts fitted to the Divider.



Step 10

Prepare the Top

Screw 8 Metal Dowels into the Top.

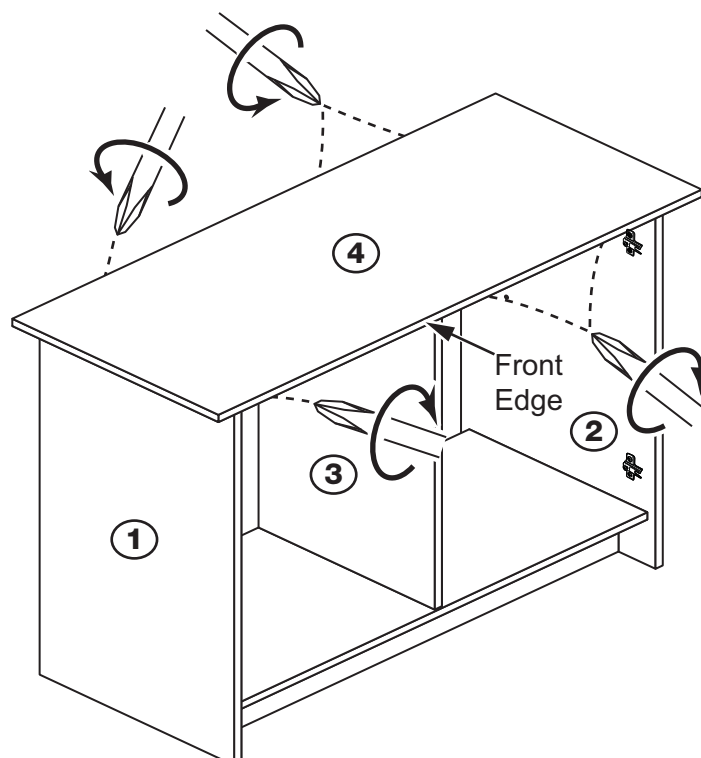


Step 11

Fit the Top

Push the Top down onto the Sides and Divider.

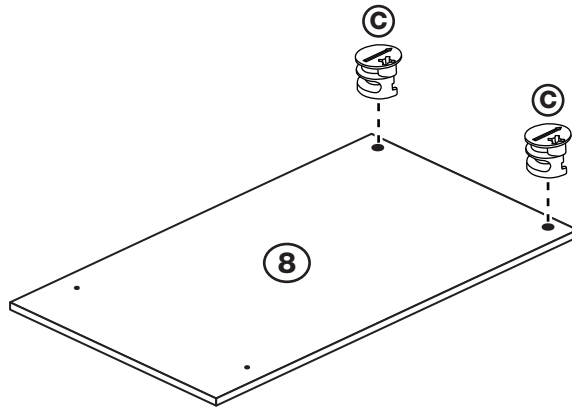
Use a screwdriver to tighten the 6 Large Locking Nuts fitted to the Sides and Divider.



Step 12

Prepare the Back

Insert 2 Large Locking Nuts into the Back.

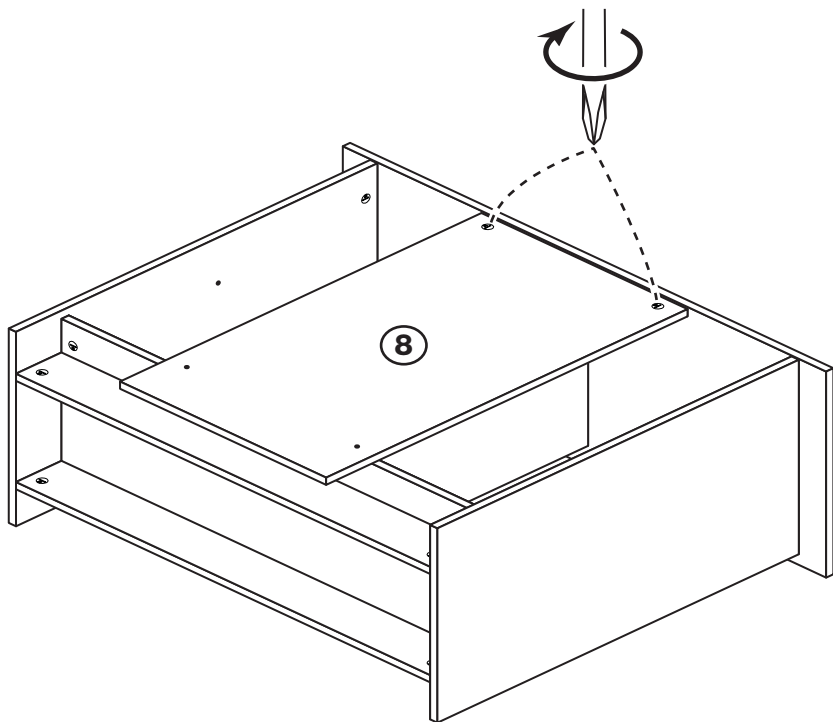


Step 13

Fit the Back

Lay the unit down onto its front edges and push the Back onto the Top.

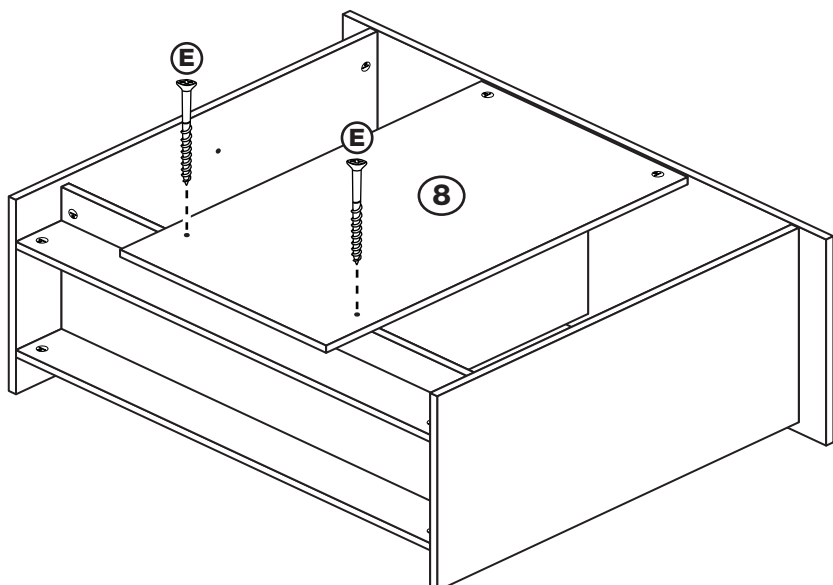
Use a screwdriver to tighten the 2 Large Locking Nuts fitted to the Back.



Step 14

Secure the Back

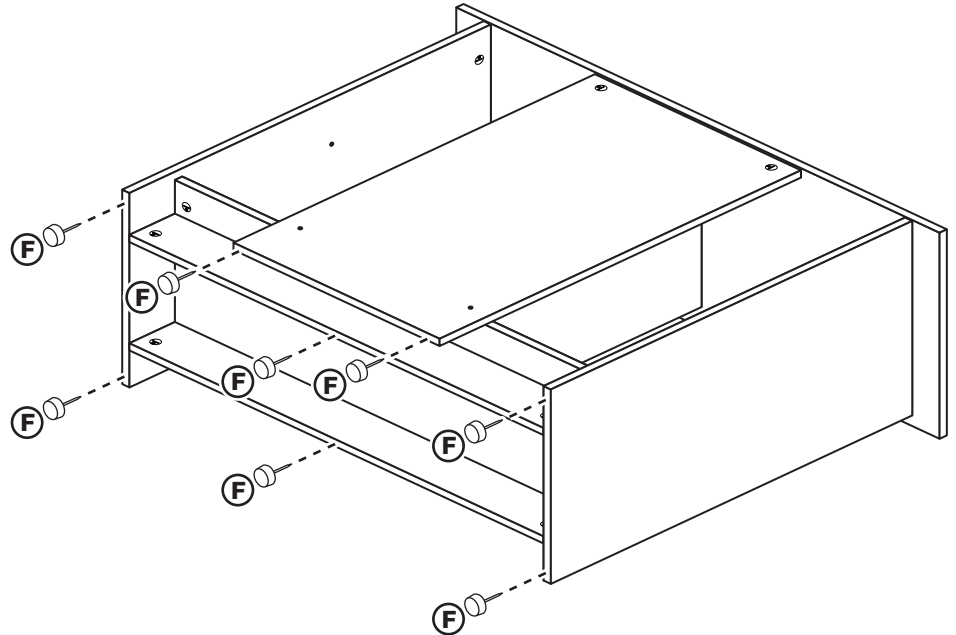
Fix the Back to the back edge of the Base using 2 45mm Screws.



Step 15

Fit the Plastic Nails

Tap 2 Plastic Nails into the bottom edge of each of the Sides, 2 into the bottom edge of the Back and 1 into the middle of the bottom edge of each of the Plinths.



Step 16

Fit the Overbalance Protector Kit

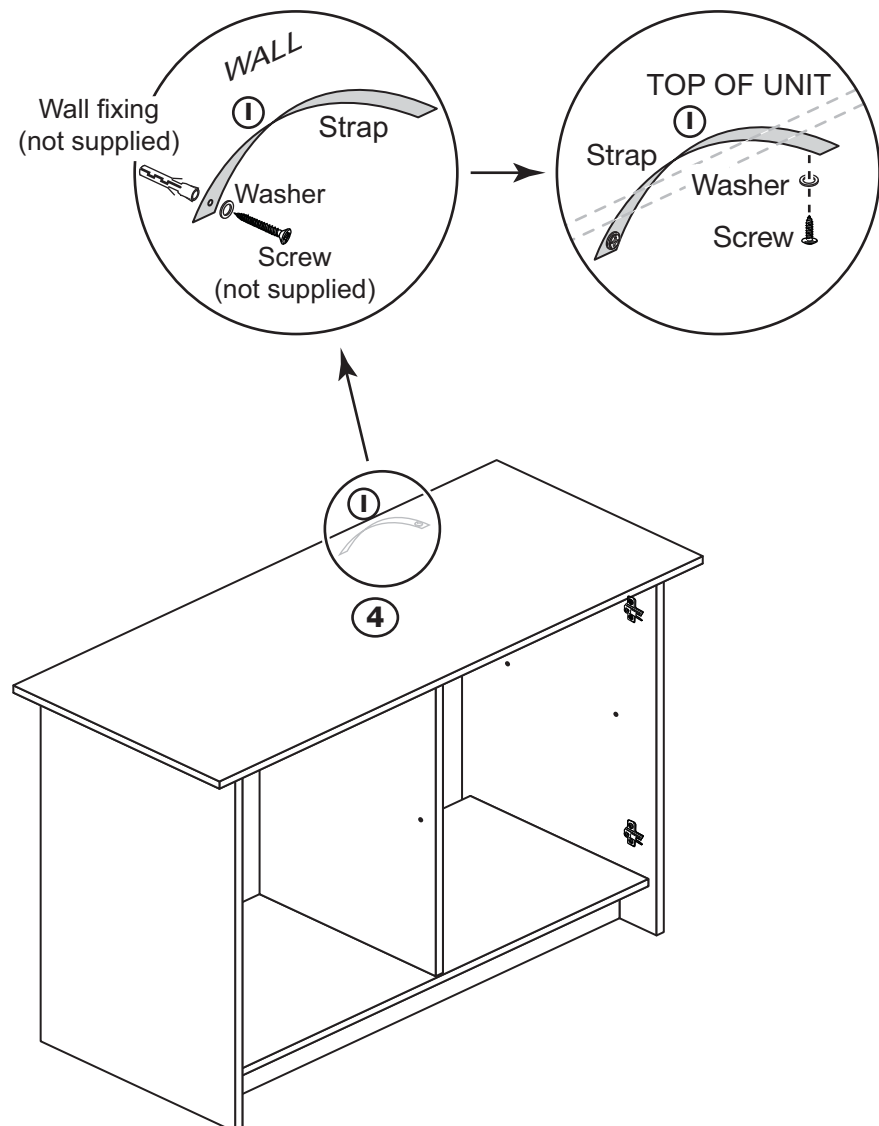
Stand the unit back up and move it to its final position.

The Overbalance Protector Kit can be fitted on the left side or right side of the unit.

To prevent possible overbalancing we recommend that this unit is secured to a suitable wall by use of the Overbalance Protector Kit fitted under the Top or, an alternative fixing method of your choice.

Wall fixings are not supplied as they will need to suit the wall type.

Note: Take care when drilling the wall that you do not drill into any pipes, wires etc. If in doubt, consult an expert.

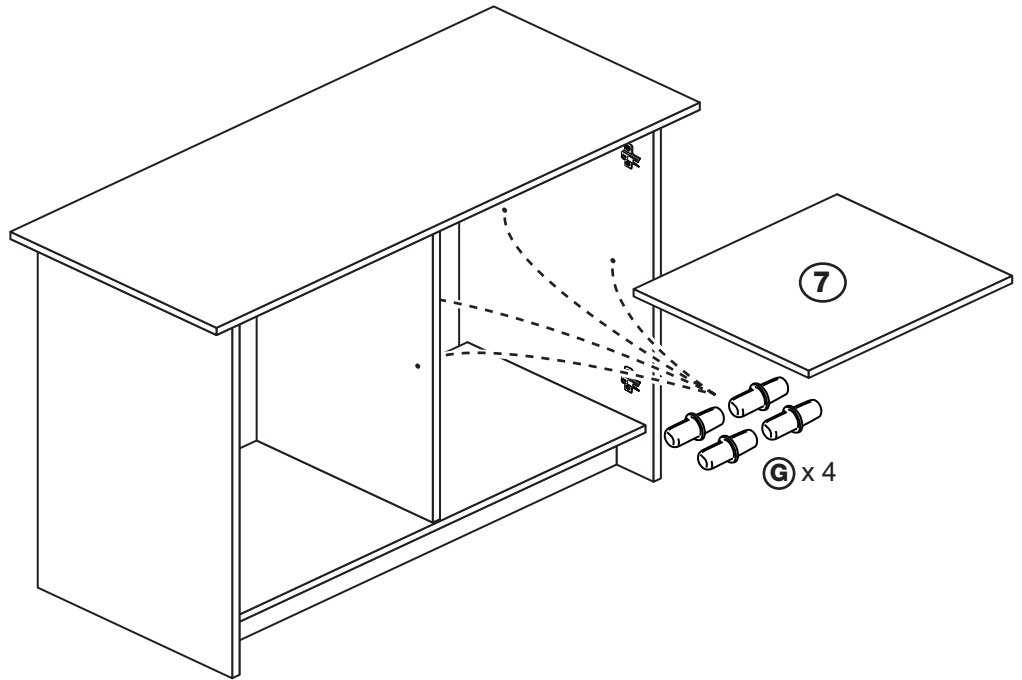


Step 17

Fit the Loose Shelf

The Shelf can be fitted on the left side or right side of the unit.

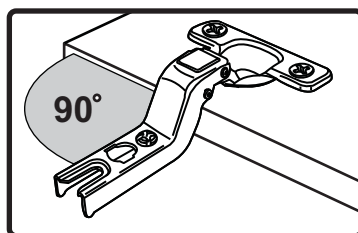
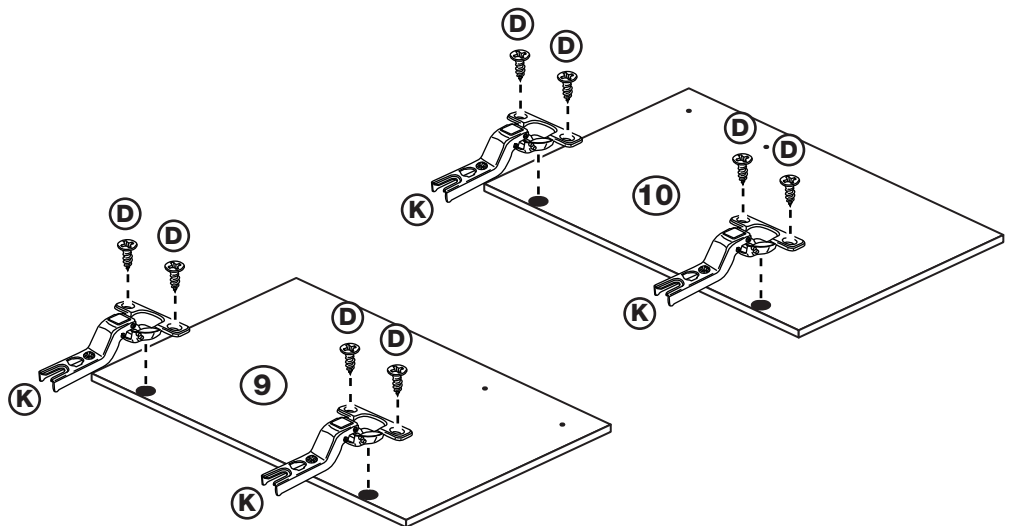
Insert the 4 Shelf Studs into the holes in the Left/Right Side and Divider and lower the Loose Shelf down onto them.



Step 18

Prepare the Doors

Make sure the Hinges are pushed in at 90 degrees to the edge of the Doors before securing them into place using the 13mm Screws.



Step 19

Fit the Doors and the Handles

We recommend that you fit the top Hinge first, then align and fit the other Hinge.

a: Push the Hinge onto the front part of the Hinge Plate. The recess at the bottom of Screw B goes into the slot in the Hinge Plate.

b: Keep the Hinge FLAT against the Hinge Plate as you slide it across as far as it will go. Tighten Screw A.

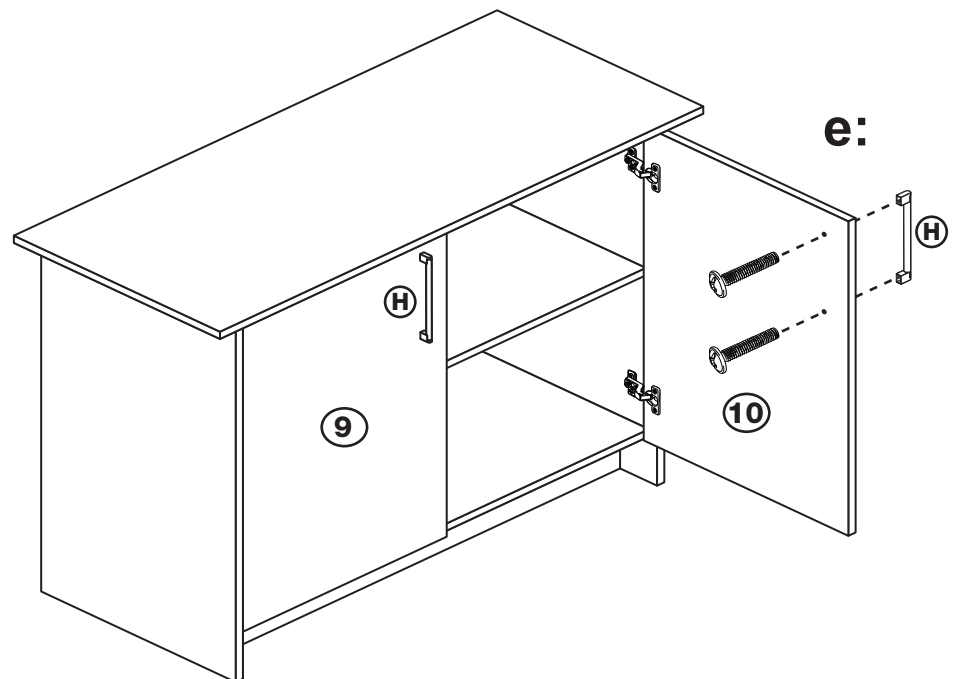
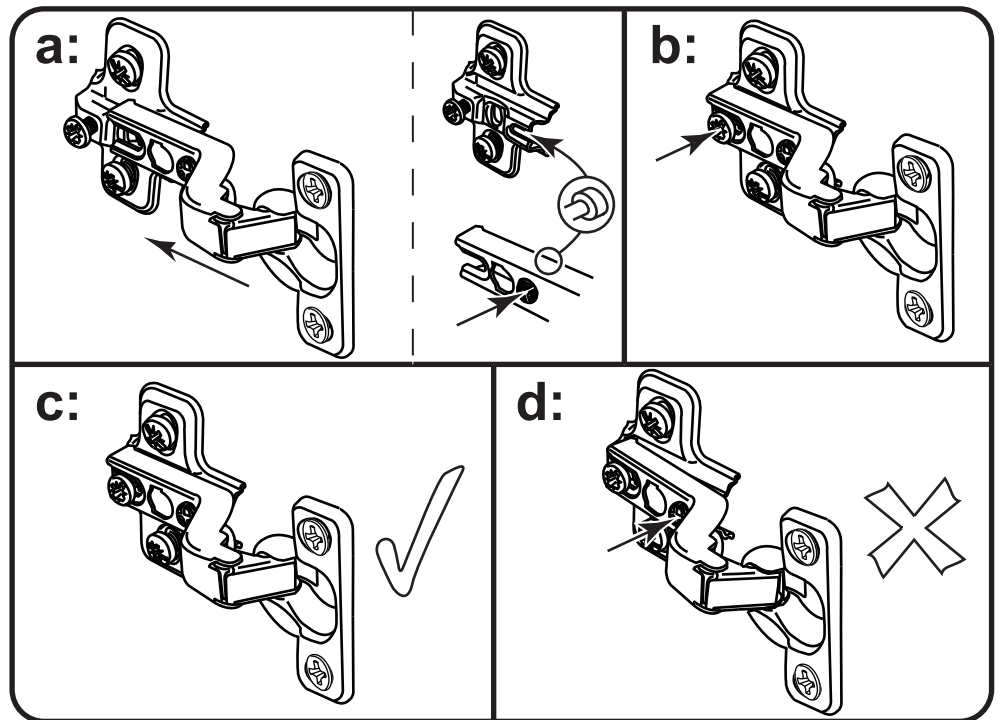
c: The Hinge must be flat against the Hinge Plate prior to any adjustment.

d: The Hinge must NOT be AT AN ANGLE to the Hinge Plate when assembled.

This would indicate that the recess at the bottom of Screw B had not located in the slot in the Hinge Plate and the Hinge would not be secure.

Remove the Hinge from the Hinge Plate and then re-assemble being careful to follow instructions a-c.

e: Attach a Handle to each of the Doors using the screws packed with them.



Step 20

Adjust the Doors if required

a: Before adjusting the Doors, use a spirit level to check the Top (or Base) of the unit is level, front-to-back and side-to-side in the 3 positions shown.

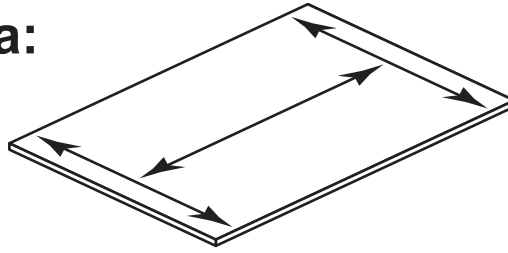
Use suitable packing pieces (not supplied) to make the unit level BEFORE making any adjustment to the Hinges.

b: Height adjustment. Loosen Screws A on the Hinge Plates and move the Door up or down as required. Retighten Screw A.

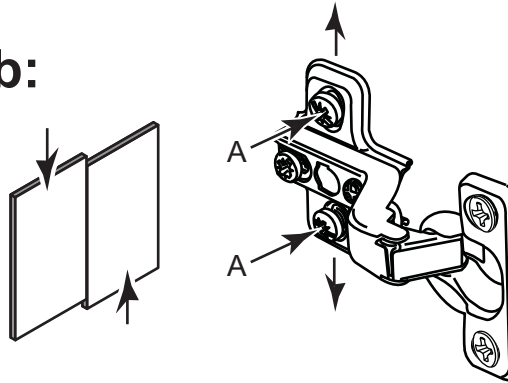
c: Forward and Back adjustment. Loosen Screw B on the Hinge Plate and move the Door in or out as required. Retighten Screw B.

d: Sideways adjustment. To move the Door 'out' loosen Screw C. To move the Door 'in' tighten Screw C.

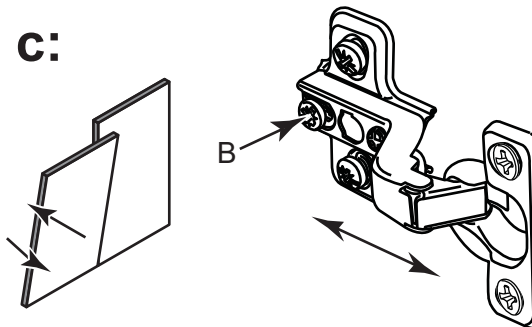
a:



b:



c:



d:

