

Moray



Aqua One[®]

Inspiring Excellence in Fish Keeping!

Internal Filters



www.aquaone.com.au

Contents, Inhalt, Contenu, Inhoud

GB	Page	D	Seiten
Important Safeguards	4	Wichtige Sicherheitshinweise	10
Before First Use/Preparation	5	Vor der ersten Benutzung/ Vorbereitungen	11
Know Your Filter	6	Machen Sie sich mit Ihrem Filter	12
Installation	7	Installation	13
Maintenance	8	Pflege	14
Specifications	8	Spezifikationen	14
Guarantee	9	Garantie	15

F	Pages	NL	Bladzijden
Précautions importantes	16	Belangrijke voorzorgsmaatregelen	22
Avant la première utilisation/ Préparation	17	Vóór eerste gebruik/Vorbereiding	23
Découvrez votre filtre	18	Over uw filter	24
Installation	19	Installatie	25
Entretien	20	Onderhoud	26
Spécifications	20	Specificaties	26
Garantie	21	Garantie	27

Important Safeguards

To guard against injury, basic safety precautions should be observed, including the following:

1. Read and follow all safety instructions and important notices in these instructions as well as on the product itself.

2. This appliance is not intended for use by children or infirm persons without supervision. Young children should be supervised to ensure that they do not play with the appliance.

3. To avoid possible electric shocks, special care should be taken since water is employed in the use of aquarium equipment. For each of the following situations do not attempt repairs yourself. Return the appliance to an authorised service facility for service or discard the appliance.

a. If the appliance or any electrical component of the appliance (non-immersible equipment only) falls into the water or gets wet, do not reach for it. Unplug it and then retrieve it.

b. If the appliance shows any sign of abnormal water leakage, immediately unplug it from the power source.

c. Carefully examine the appliance after installation. It should not be plugged in if there is water on parts which are not intended to be wet.

d. Do not operate the appliance if it has a damaged cord or plug, or if it is malfunctioning, or dropped or damaged in any manner.

4. A “drip loop” (see graphic) should be arranged for each cable connecting an aquarium to a power supply. The drip loop is the part of the cable below the level of the power supply. It prevents water travelling down the cable and coming into contact with the power supply. If the plug or the socket does get wet, do not unplug the appliance. Disconnect the fuse or circuit breaker that supplies the power to the appliance, then unplug and examine for presence of water in the socket.

5. Always unplug the appliance from the electrical outlet when not in use, before putting on or taking off parts, before any type of maintenance or cleaning.

6. Never yank the cable to pull it from the socket. Pull the plug carefully to disconnect.

7. Do not use the appliance for reasons other than the intended use. The use of attachments that are not recommended or sold by the manufacturer may cause the product to be unsafe. This is not recommended.

8. Do not install or store the appliance where it will be exposed to weather or temperatures below freezing.

9. Make sure any component mounted on a tank is securely installed before operating it.

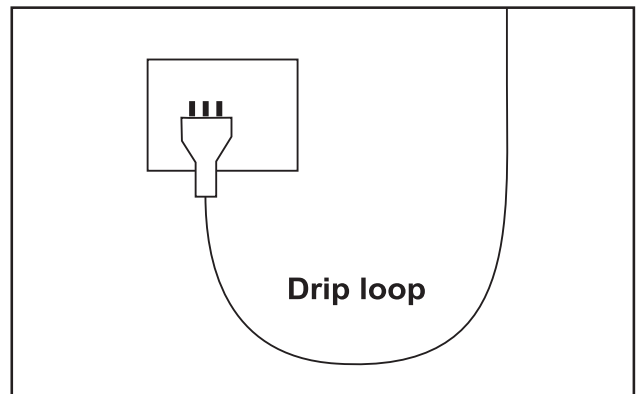
10. Ensure input voltage is the same voltage as your local power supply.

11. If an extension cable is used it should have the proper rating. Care should be taken to arrange the cord so that it will not be tripped or pulled.

12. A G.F.C.I (Ground fault circuit interrupter) & surge protector is recommended for all electrical appliances.

13. Ensure your hands are dry when turning the power switch on/off and when inserting/removing the power cable from the socket.

14. If you are in any doubt about the electrical installation or safety of this product you must consult a qualified electrician.



For Guarantee Conditions, please refer to the Guarantee form that is enclosed with this product.

All products are supplied with fitted plugs. This plug should not be tampered with in any way or removed. Removal or tampering with the plug invalidates our guarantee offered with this product.

For UK a 3 pin adaptor is supplied with the product and this must be used.

Before First Use / Preparation

Read and follow all the instructions, even if you feel you are familiar with the product and find a place to keep the instructions handy for future reference. Your attention is drawn particularly to the sections concerning **“IMPORTANT SAFEGUARDS”** and the **“GUARANTEE CONDITIONS”**. Please ensure you retain your original purchase receipt in the event that guarantee service is required.

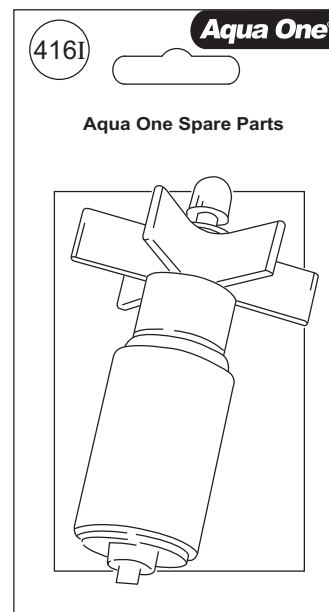
Carefully unpack the product making sure you keep all the packing material until all the parts of the product have been found and the product has been assembled.

This product is shipped to you in a factory sealed carton. Should the product malfunction in any way or if the unit is damaged and requires replacement, contact the retailer where the product was purchased for inspection.

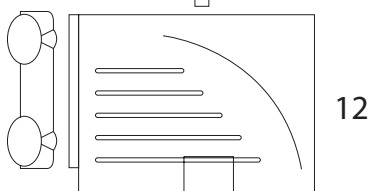
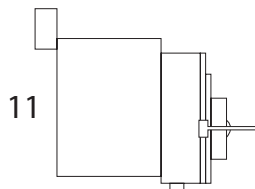
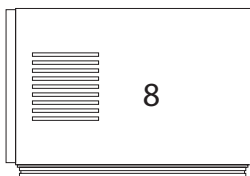
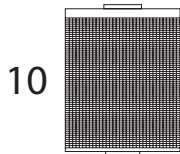
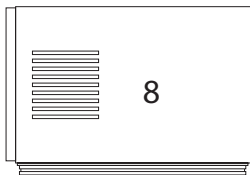
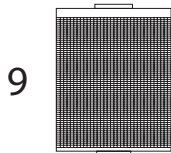
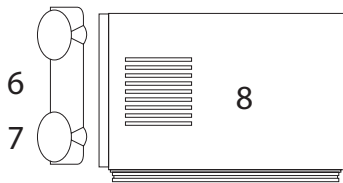
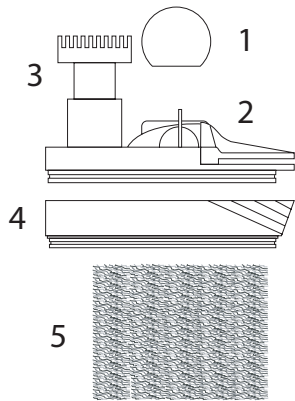
Replacement Parts & Filter Media

Use Aqua One Genuine Spare Parts Only. See your local Aqua One Dealer and look for the number listed below for the spare part you require. Alternatively you will find these numbers on the silver label located on the product.

320/320L Impeller	416I
320/320L Sponge	416S
320/320L Carbon cartridge	416C
320/320L Ceramic Media Cartridge	417C
700/700L Impeller	418I
700/700L Sponge	418S
700/700L Carbon Cartridge	418C
700/700L Ceramic Media Cartridge	419C



Know Your Filter



Filter Parts

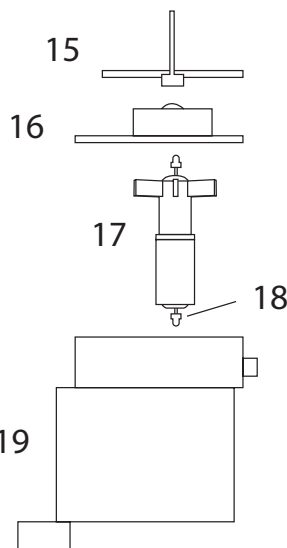
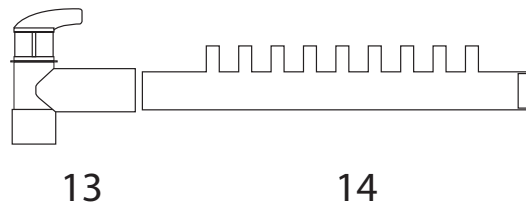
- 1. Outlet Cap
- 2. Outlet
- 3. Surface Skimmer (700/700L)
- 4. Cartridge Cap
- 5. Sponge
- 6. Mounting Bracket
- 7. Suction Cup
- 8. Media chamber
- 9. Ceramic Media Cartridge
- 10. Carbon Cartridge
- 11. Pump
- 12. Pump Housing

Outlet Parts - All models

- 13. Straight outlet
- 14. Spray Bar

Pump Parts - All models

- 15. Impeller cover lock
- 16. Impeller Cover
- 17. Impeller
- 18. Shaft and Bushings
- 19. Motor



Note: Models 320L & 700L have a second sponge cartridge between the motor housing and the carbon cartridge chamber.

Installation

1. Decide on which outlet option to use. The 320/320L models do not have the option of closing the base outlet but the 700/700L models have a flow control on the base outlet (fig 1). In all models the main outlet can use the duck bill for gentle flow (fig 2), the straight outlet for more powerful stream flow (fig 3) or the spray bar for more dispersed flow (fig 4).

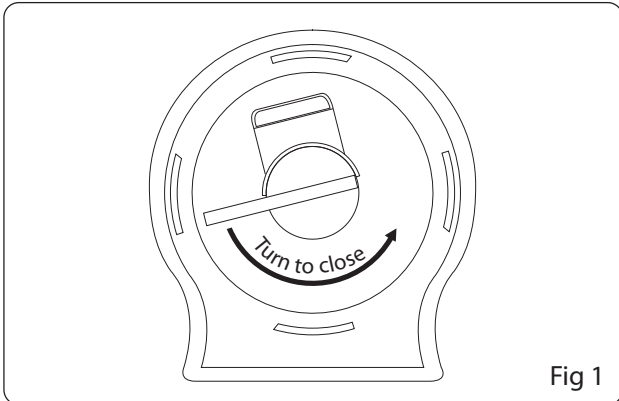


Fig 1

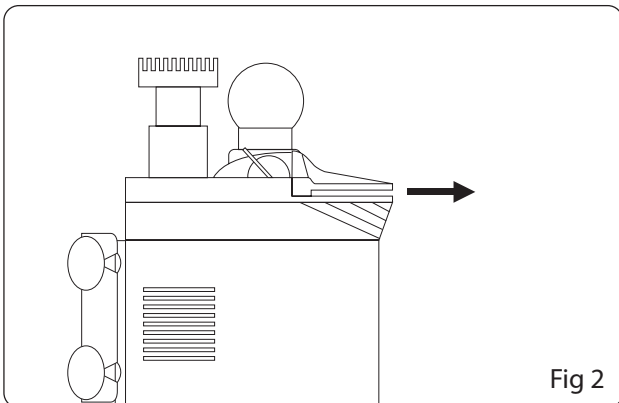


Fig 2

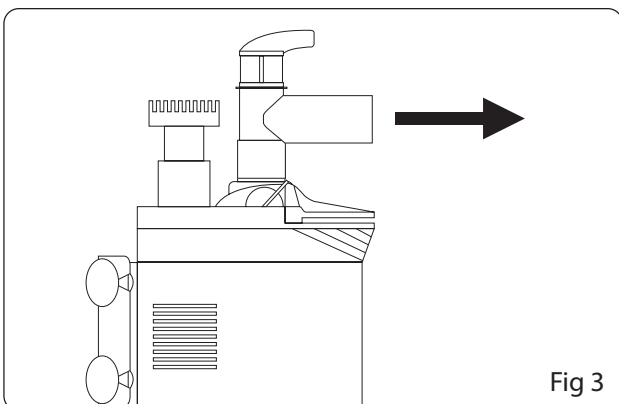


Fig 3

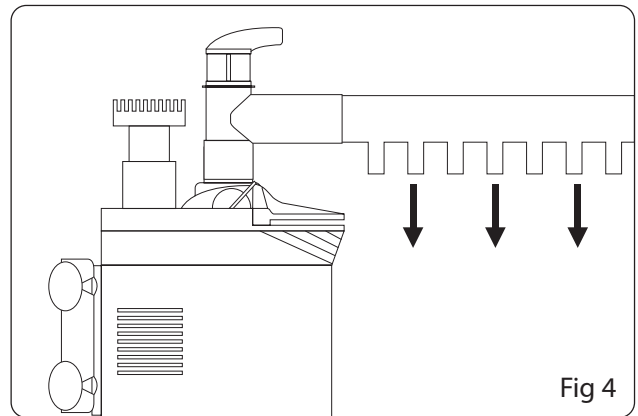


Fig 4

2. Attach the suction cups to the mounting bracket. For mounting on a flat surface such as the side or back of the aquarium, attach the suction cups to the top and bottom of the mounting bracket. For mounting in the corner of the aquarium, attach the suction cups to the outside edges of the mounting bracket (fig 5).

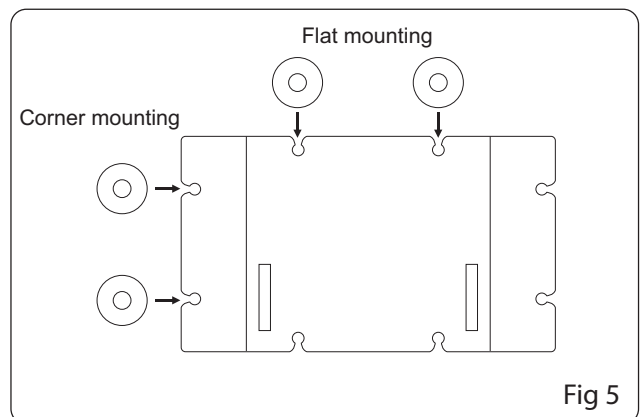


Fig 5

3. Attach the filter inside the aquarium in the desired location. Ensure the filter is not resting on the substrate nor is it above the water level (straight outlet and spray bar may be above water level).

4. Plug filter into the power outlet and switch on.

Maintenance

1. Unplug filter from power outlet and remove from aquarium. Take the filter to a sink.
2. Remove the cartridge cap allowing access to the first media chamber.
3. Remove the sponge and rinse thoroughly in aquarium water. It is important not to wash the sponge too thoroughly and never wash it in tap water. For the 320L and 700L models also clean the sponge in the bottom media chamber.
4. Remove the cartridges containing the ceramic media and carbon. These should be lightly rinsed in aquarium water. The carbon cartridge should be replaced every 6-8 weeks.
5. Following the diagram in page 6, remove the impeller from the pump. Wash the impeller thoroughly every 4-6 weeks and clean the impeller chamber (inside the motor) using an Aqua One double ended pipe brush (sold separately).
6. Reassemble the filter and place the filter back inside the aquarium.
7. Ensure your hand is not wet and there is no water on the electrical plug, plug the filter into the power outlet and switch on.

Disposal of used Electrical & Electronic Equipment (Applicable in the European Union and other European countries with separate collection systems)



This symbol on the product or on its packaging indicates that the product must not be disposed of with normal household waste. Instead, it is your responsibility to dispose of your waste equipment by arranging to return it to a designated collection point for the recycling of waste electrical and electronic equipment. By separating and recycling your waste equipment at the time of disposal you will help to conserve natural resources and ensure that the equipment is recycled in a manner that protects human health and the environment. For more information about recycling this product, please contact your local city office, your household waste disposal service or the shop where you have purchased the product.

Specifications

Filter Model: Moray 320
Number of Media Chambers: 3
Dimensions: 8.5x10x29cm
Max Aquarium Volume: Up to 100L
Maximum Flow Rate: 320L\hr
Power Requirements: 220 ~ 240V
Power Consumption: 4.4W
Suitable: Cold water, Tropical, Marine

Filter Model: Moray 320L
Number of Media Chambers: 4
Dimensions: 8.5x10x34cm
Max Aquarium Volume: Up to 150L
Maximum Flow Rate: 320L\hr
Power Requirements: 220 ~ 240V
Power Consumption: 4.4W
Suitable: Cold water, Tropical, Marine

Filter Model: Moray 700
Number of Media Chambers: 3
Dimensions: 11x10x35.5cm
Max Aquarium Volume: Up to 200L
Maximum Flow Rate: 700L\hr
Power Requirements: 220 ~ 240V
Power Consumption: 12.9W
Suitable: Cold water, Tropical, Marine

Filter Model: Moray 700L
Number of Media Chambers: 4
Dimensions: 11x10x42.5cm
Max Aquarium Volume: Up to 250L
Maximum Flow Rate: 700L\hr
Power Requirements: 220 ~ 240V
Power Consumption: 12.9W
Suitable: Cold water, Tropical, Marine

Aqua One - Guarantee 2 + 1 Year

The additional 1 Year **Extended Guarantee** applies when you REGISTER online with Aqua One. Register your Extended Guarantee at www.aquaone.com.au

About this Guarantee

The Manufacturer or Distributor, of Aqua One goods, is collectively known herein as "Aqua One". Please refer to contact details for Aqua One below or on the applicable Aqua One website. Any product that is covered by its own Guarantee (as enclosed with the product) is subject to the conditions of that Guarantee.

The benefits given to the purchaser, under Guarantee, are in addition to all other statutory rights and remedies which the purchaser has in respect of goods under legislation in the applicable country of purchase. This Guarantee shall not affect any such rights and should be read subject to such legislation.

1.0. Terms and Conditions of Guarantee.

- 1.1. Aqua One warrants to the purchaser, for 2 Years from date of original purchase, to repair or replace goods where fault is found due to defective materials or faulty workmanship and where goods do not operate in accordance with the instructions.
- 1.2. All claims for repair or replacement must be made at place of purchase.
- 1.3. The original and dated Proof of Purchase (receipt) must be supplied with all goods claims. Please also provide this Guarantee where possible.
- 1.4. The Guarantee covers the Aquarium against gluing breakdown resulting in leakage.
- 1.5. All goods subject to claim under Guarantee should be prepared for transportation in the original packaging or other comparable packaging which offers the same degree of protection.
- 1.6. Where goods are repaired or replaced under Guarantee, these goods are Guaranteed for the remainder of either the original Guarantee or Extended Guarantee period.
- 1.7. Where claims on inspection reveal goods are in normal working order, Aqua One will request reimbursement of all reasonable costs incurred.

2.0. Other Terms and Conditions – Extended Guarantee

- 2.1. The Extended Guarantee period is for an additional 1 Year and commences on expiration of the standard guarantee period.
- 2.2. Application for Extended Guarantee is FREE of any registration cost to the purchaser on completion of the Extended Guarantee questionnaire which is found on the applicable Aqua One website (refer below).
- 2.3. Upon receipt and acceptance of the questionnaire, Aqua One will forward (by way of email) a Certificate of Extended Guarantee to the purchaser.
- 2.4. For more information on how we collect, hold, use and disclose personal information provided to us, please refer to our Privacy Statement on the Aqua One websites or write to our Privacy Officer, in your country of purchase.
- 2.5. Where Aqua One determines goods are being used in a manner contrary to the instructions, specifications or this Guarantee, Aqua One reserves the right to terminate Extended Guarantee for such goods and will provide written notice to the purchaser.

3.0. Exclusions and Limitations

Where permitted by local law, the following exclusions and limitations apply in regard to Guarantee:

- 3.1. Goods claims where fault is due to, but not limited by a) misuse b) neglect c) abuse d) fire or flood e) normal wear and tear f) accidental breakage g) Acts of God h) mains voltage fluctuation or supply problems i) connection to any voltage other than what is stated on the rating plate j) modification or tampering to electrical cord or plug, k) vermin, insects or foreign object l) liquid spillage or submersion of goods not designed to sustain such use or duress.
 - 3.2. Where inspections reveal goods are in normal working order including where noise or vibration is consistent with normal goods operation.
 - 3.3. Attempted repairs or modifications by unauthorised persons, including but not limited to the drilling of holes in the aquarium glass by unauthorised persons.
 - 3.4. Where the goods factory rating plate has been removed, altered, damaged or is rendered illegible.
 - 3.5. Where goods are not installed, operated or maintained in accordance with Aqua One's goods instructions, specifications or this Guarantee.
 - 3.6. Replacement or repair of worn consumables or replacement of lost goods, parts or components.
 - 3.7. Costs associated with goods transportation, removal, installation, postage or cost of insurance.
 - 3.8. Any damage incurred whilst installing, transporting or moving the goods.
 - 3.9. Subject to certain local statutory rights and obligations to the contrary, and this guarantee shall not affect those rights or obligations, where, to the full extent permitted by law: 1. all express and implied warranties and conditions under statute or general law, are expressly excluded and Aqua One, where permitted, will limit liability as follows and at Aqua One's option to: in regard to goods either a) the replacement of goods or supply of equivalent goods b) the repair of goods or the cost of replacing the goods or of acquiring equivalent goods OR in regard to services either c) the re-supply of services d) the cost to re-supply services.
2. Aqua One will not be liable for any loss or damage, including consequential loss or damage either directly or indirectly, or for any incidental expenses, of any kind, and in any way whatsoever.

The additional 1 Year Extended Guarantee applies when you REGISTER online with Aqua One. Register your Extended Guarantee at www.aquaone.com.au

- (1) Consumables include items such as filter media/cartridges, impellers and shafts.

Aqua One may be contacted in:
 Australia
 Kong's (Aust.) Pty. Limited
 PO Box 863, Ingleburn
 1890 NSW Australia
www.aquaone.com.au