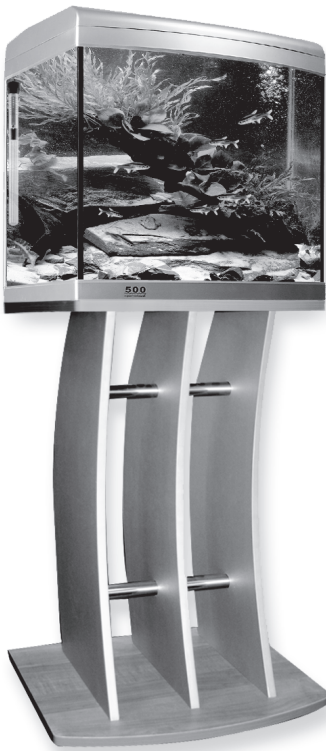


# J Cabinet Assembly Instructions

**Aqua One**<sup>®</sup>

**AquaStart 320/500, Aqua Style 126/380/620, AquaTrend 418**



## Contents:



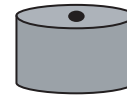
Cx12



Dx4



Stainless Steel Posts  
x 2



Gx4

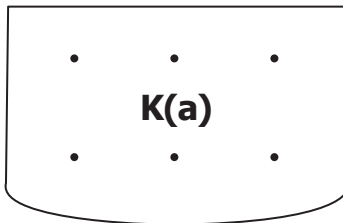


Fx4

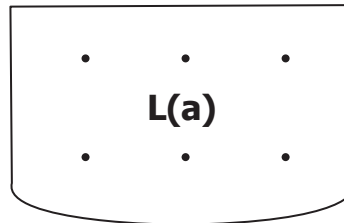


Hx4

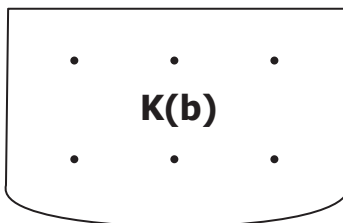
## Tools required:



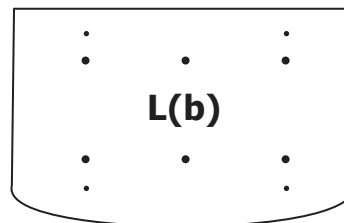
Top  
(View  
from  
above)



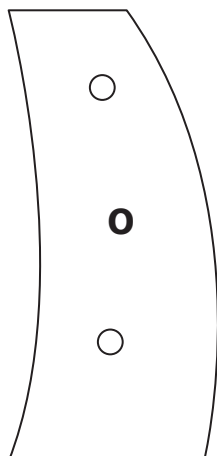
Base  
(View  
from  
above)



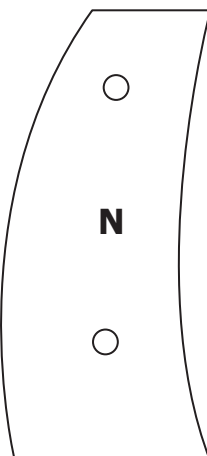
Top  
(View  
from  
below)



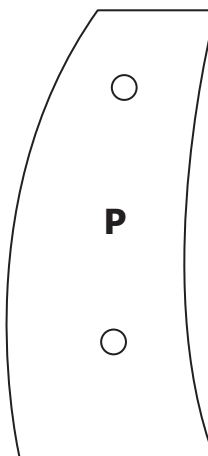
Base  
(View  
from  
below)



Side  
(left)

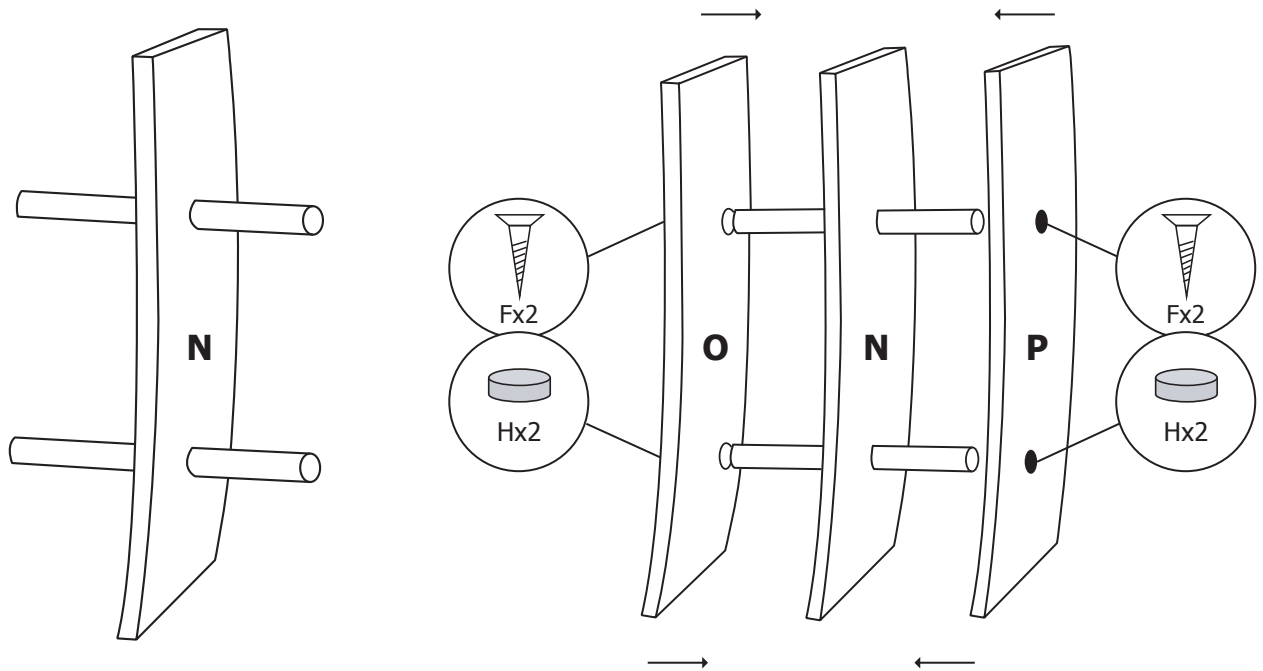


Centre  
panel

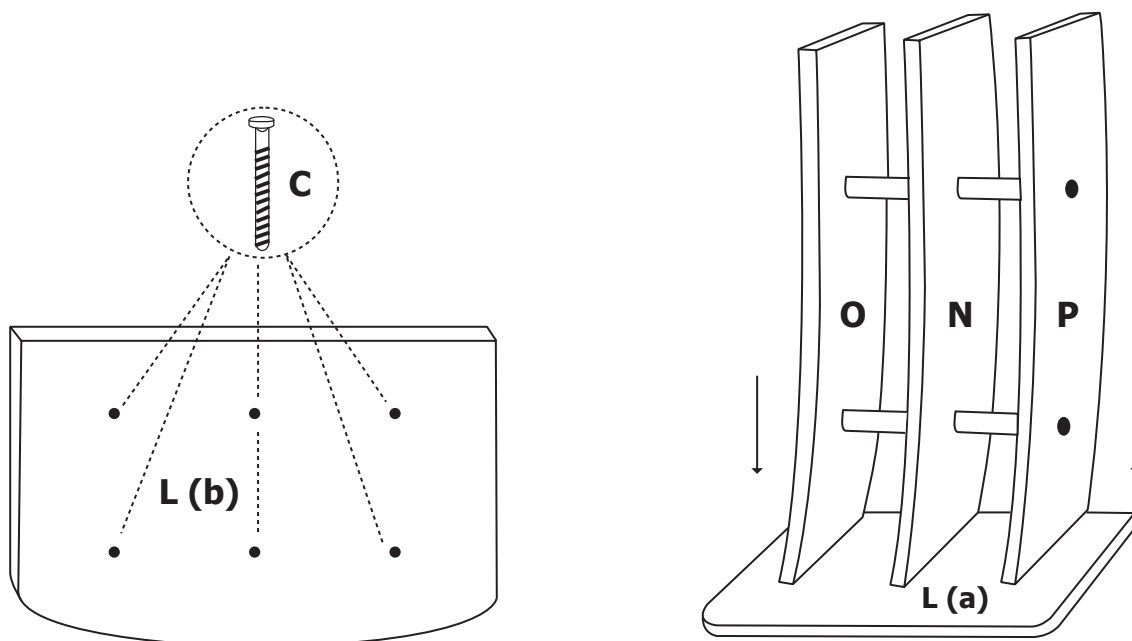


Side  
(right)

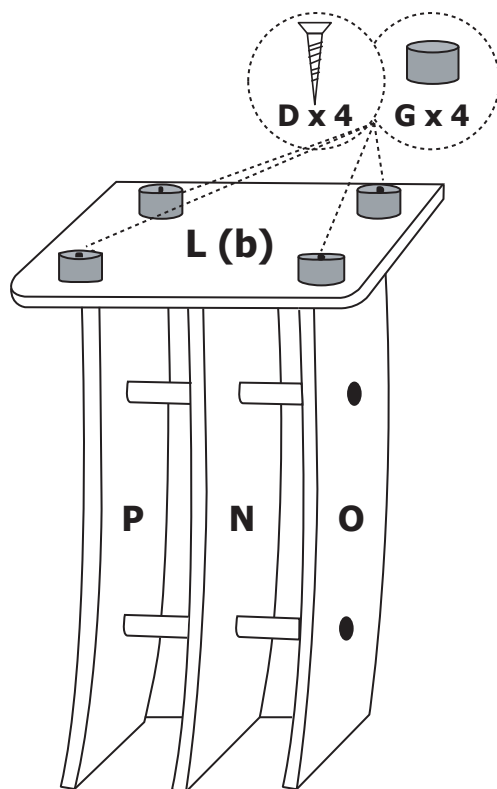
**Step 1: Install the stainless steel posts (x 2) to Panel N. Install panels O & P. Use parts F x 4, H x 4.**



**Step 2: Install panels O, N, P to the Base L (b), use part C x 6.**

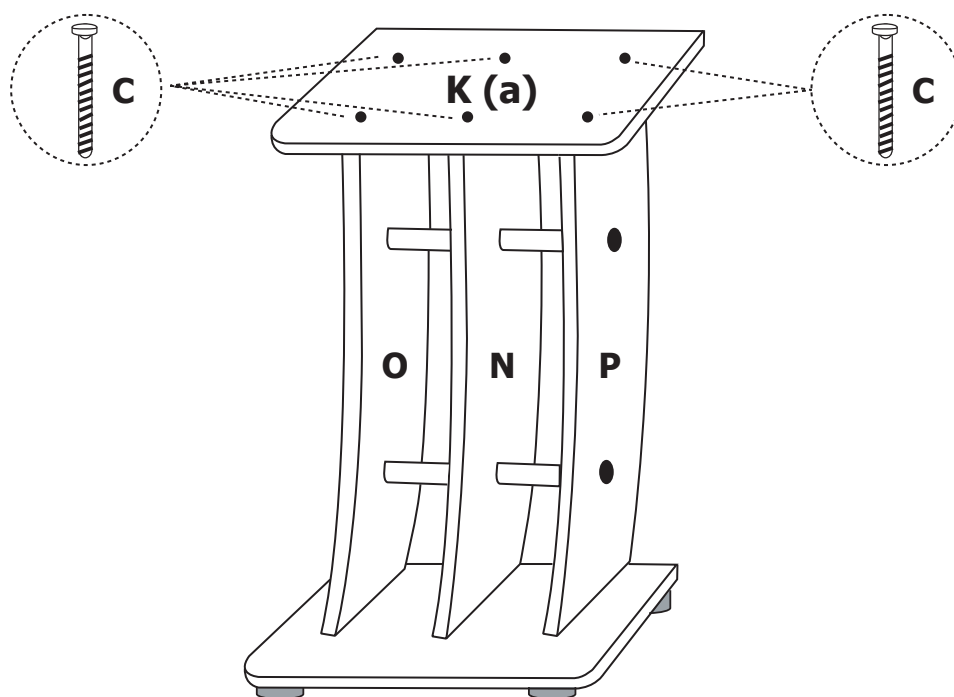


**Step 3: Install the feet to panel L(b), use parts G x 4, D x 4.**

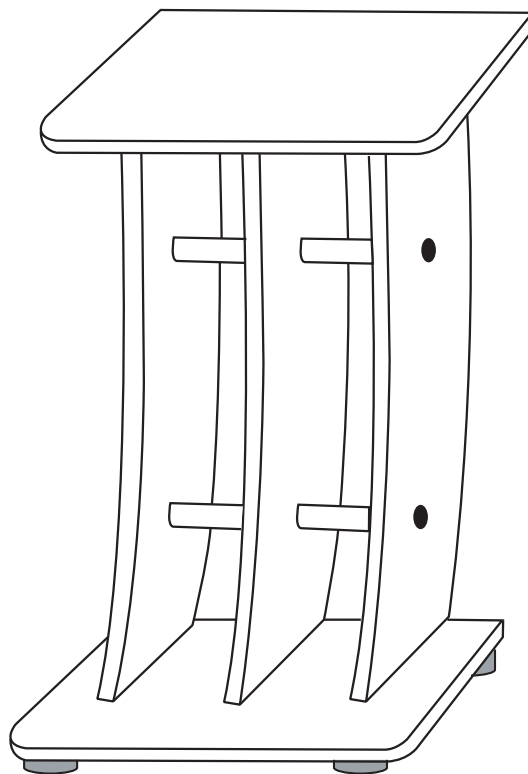


Then turn the cabinet over on its feet

**Step 4: Install the top panel K (a). Use partss C x 6.**



**Your cabinet is now complete.**



### **Important Notice**

It is absolutely imperative that you ensure this cabinet and aquarium is installed upon level flooring. It is also a prerequisite that you ensure the flooring upon which it is positioned is able to support the weight of this aquarium including water and decorations.

Installation upon uneven flooring will result in poor distribution of weight. Damages to the aquarium, cabinet or equipment and damages caused by leaks due to improper or uneven installation are not covered by the guarantee with this product.

### **Care and Maintenance of your Aqua One Aquarium**

**Glass:** It is recommended that you use a good quality glass cleaner and a non abrasive lint free cloth. Glass cleaner should only be used on the outside of the aquarium.

To clean the glass on the inside of the aquarium, it is recommended that you use an Aqua One Scraper or Magnetic Cleaner (available from your local Aqua One dealer).

**Cabinet and Hood:** The use of a damp cloth is recommended, do not use any detergents or harsh chemicals to clean the cabinet and hood as damage may occur.

Precision Manufactured in the P.R.C.  
Designed in Australia by Aqua One  
Distributed in Australia by:  
**Kong's (Aust.) Pty. Limited**  
48 Williamson Rd. Ingleburn.  
2565 NSW Australia.

Distributed in New Zealand by:  
**Kong's (NZ) Limited**  
52 Glenlyon Avenue.  
Greerton. Tauranga New Zealand.

Distributed in the UK by:  
**Kong's (UK) Ltd.**  
C/O Aqua Pacific UK Ltd.  
PO Box 268  
Romsey Hampshire  
S051 0WW  
United Kingdom

® Aqua One and Kong's are registered trademarks. [www.aquaone.com.au](http://www.aquaone.com.au). © Aqua One 2006