

Aquis

Aqua One[®]

Advance

Technically Superior

550 / 750 / 1050 / 1250



Complete step by step instruction booklet

Important Safeguards

This appliance is not intended for use by children or infirm persons without supervision. Young children should be supervised to ensure that they do not play with the appliance.

Warning: To guard against injury, basic safety precautions should be observed, including the following:

1. Read and follow all safety instructions before using this appliance.

2. Danger: To avoid possible electric shocks, special care should be taken since water is employed in the use of aquarium equipment. For each of the following situations do not attempt repairs yourself. Return the appliance to an authorised service facility for service or discard the appliance.

a) If the electrical components of the appliance get wet, unplug the appliance immediately (non immersible equipment only).

b) If the filter shows any sign of abnormal water leakage, immediately unplug it from the power source.

c) Carefully examine the filter after installation. It should not be plugged in when there is water on parts which are not intended to be wet.

d) Do not operate any filter if it has a damaged cord or plug, or if it is malfunctioning, or dropped or damaged in any manner.

A "drip loop" (See the diagram) should be arranged by the user for each cord connecting an aquarium component to a receptacle. The drip loop is the part of the cord below the level of the receptacle or the connector if an extension cord used. It is used to prevent water traveling along the cord and coming in contact with the receptacle.

If the plug or receptacle does get wet, do not unplug the appliance. Disconnect the fuse or circuit breaker that supplies the power to the appliance, then unplug and examine for presence of water in the receptacle.

3. Close supervision is necessary when the appliance is used by or near children.

4. Always unplug the filter from the electrical outlet; when not in use, before putting on or taking off parts, before any type of maintenance, or cleaning.

Never yank the cord to pull it from the outlet. Grasp the plug and unplug to disconnect.

5. Do not use the filter for reasons other than the intended use. The use of attachments that are not recommended or sold by the filter manufacturer may cause the product to be unsafe. This is not recommended.

6. Do not install or store the filter where it will be exposed to weather or temperatures below freezing.

7. Make sure any component mounted on a tank is securely installed before operating it.

8. Read and observe all the important notices on the filter.

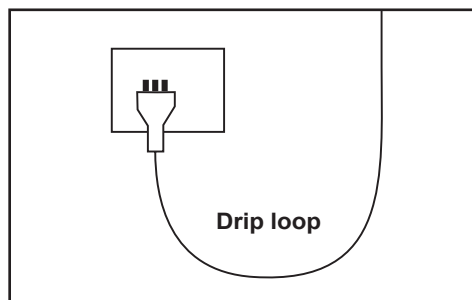
9. Ensure input voltage is the same voltage as your local power supply.

10. If an extension cord is necessary, a cord with a proper rating should be used. Care should be taken to arrange the cord so that it will not be tripped or pulled.

11. A **G.F.C.I** (Ground fault circuit interrupter) & surge protector is recommended for all electrical appliances.

12. Ensure your hand is dry when turning the power switch on/off and when inserting/removing the power cord from the receptacle.

13. If you are in any doubt about the electrical installation or safety of this product you must consult a qualified electrician.



For Guarantee Conditions, please refer to the Guarantee form that is enclosed with this product.

Before First Use / Preparation

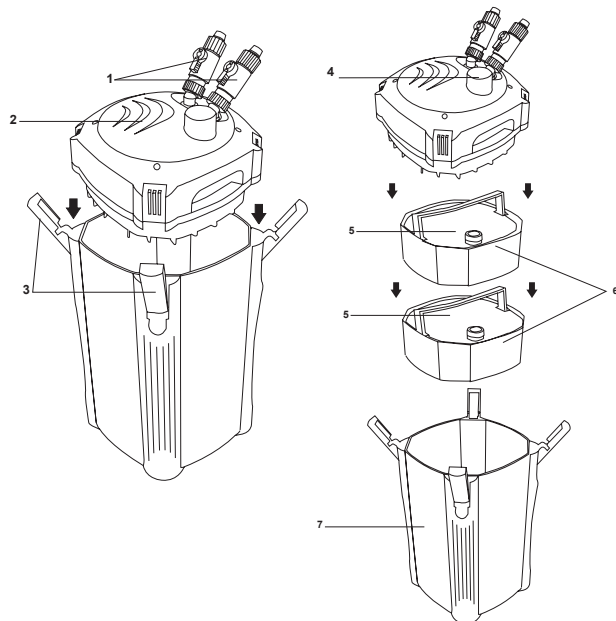
Read and follow all the instructions, even if you feel you are familiar with the product and find a place to keep the instructions handy for future reference. Your attention is drawn particularly to the sections concerning **“IMPORTANT SAFEGUARDS”** and the **“GUARANTEE CONDITIONS”**. Please ensure you retain your original purchase receipt in the event that guarantee service is required.

Carefully unpack the filter making sure you keep all the packing material until all the parts of the product have been found and the product has been assembled.

This product is shipped to you in a factory sealed carton. Should the product malfunction in any way or if the unit is damaged and requires replacement, contact the retailer where the product was purchased for inspection.

Know Your Filter

Canister Filter 550 / 750 / 1050 / 1250

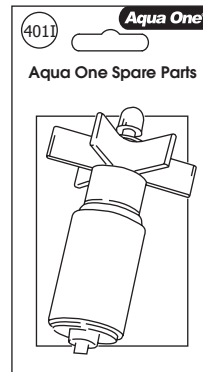


Note: Models 750 and 1250 have 3 media baskets

Replacement Parts & Filter Media

Use Aqua One Genuine Spare Parts Only. See your local Aqua One Dealer and look for the number listed below for the spare part you require. Alternatively you will find these numbers on the silver label located on the product.

550/750 Impeller	401I
1050/1250 Impeller	403I
550/750 Wool Pad	401W
1050/1250 Wool Pad	403W
550/750 15ppi Sponge	401S
1050/1250 15ppi Sponge	403S
550/750 35ppi Sponge	402S
1050/1250 35ppi Sponge	404S

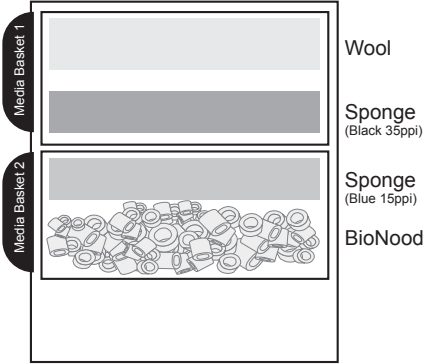


SET UP/PARTS

1. Integrated Tap Connector
2. Pump Head
3. Clips
4. Primer
5. Filter Media
6. Media Baskets
7. Canister Body

Recommended Filter Media Set Up

Aquis 550



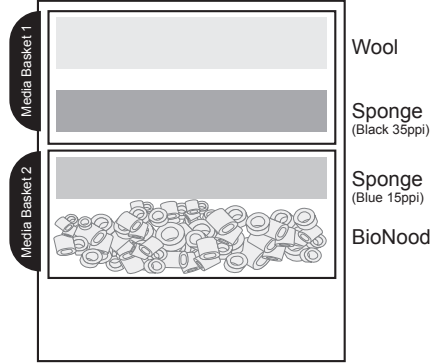
Wool

Sponge
(Black 35ppi)

Sponge
(Blue 15ppi)

BioNood

Aquis 1050



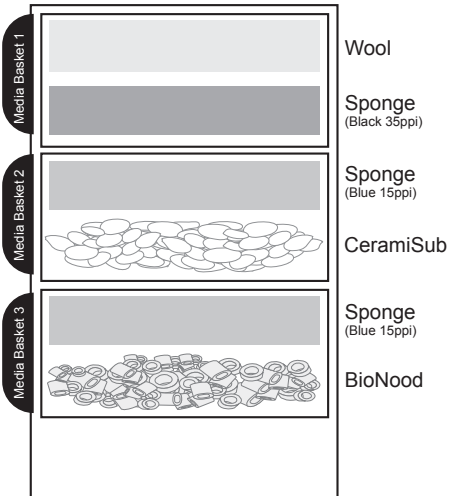
Wool

Sponge
(Black 35ppi)

Sponge
(Blue 15ppi)

BioNood

Aquis 750



Wool

Sponge
(Black 35ppi)

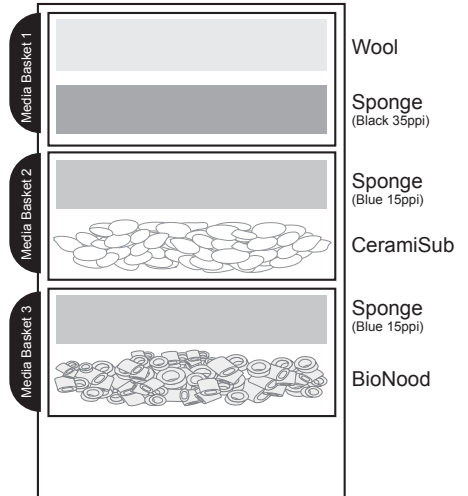
Sponge
(Blue 15ppi)

CeramiSub

Sponge
(Blue 15ppi)

BioNood

Aquis 1250



Wool

Sponge
(Black 35ppi)

Sponge
(Blue 15ppi)

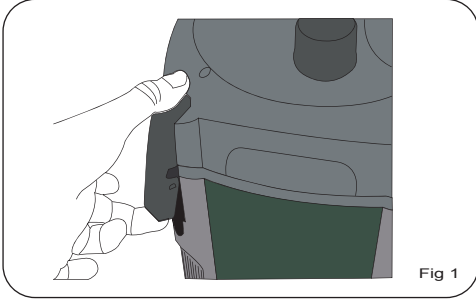
CeramiSub

Sponge
(Blue 15ppi)

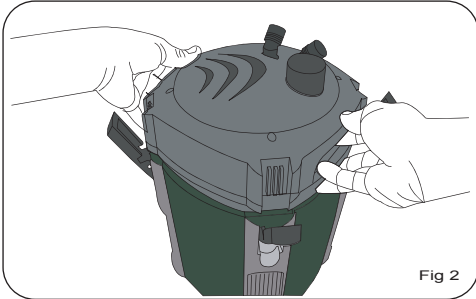
BioNood

Set Up Instructions

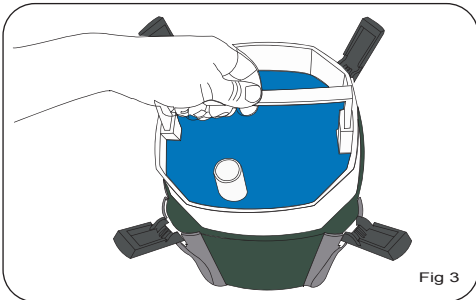
1. Remove the 2 boxed accessory packs and the filter unit from the box.
2. Open the filter unit. To do this release the 4 clips located on the corners of the filter. Fig 1



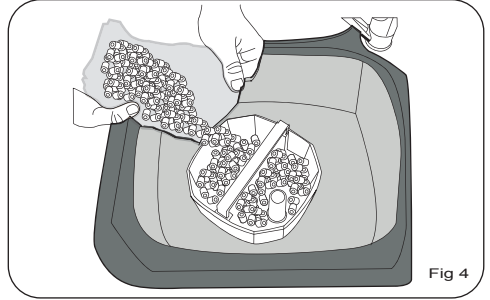
3. Lift the head unit off the canister body. Place it somewhere safe where it will not be stepped on or broken. Fig 2



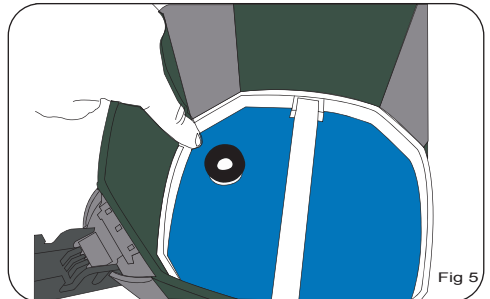
4. Take the canister body to the sink. Ensure the area is clean and free from detergents.
5. Remove the filter grid and the filter media baskets from the canister. Fig 3



6. Follow the filter media setup instructions on the previous page which apply to your filter. Remember to remove all media from the plastic bags and rinse in tap water to remove excess dust. The simplest way to do this is empty the correct media into its basket and run tap water through it. Rinse the inside of the canister body in tap water. **DO NOT USE ANY SOAPS OR DETERGENTS.** Fig 4



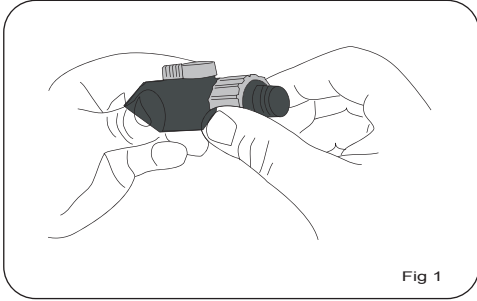
7. Once all the filter media and the canister has been washed and the sponges have been inserted into the filter baskets place the filter media baskets in the correct order (Refer to previous page) back into the canister body. Ensure the filter inlet pipe has the black sealing O-ring at the top of it and that the baskets sit flat on top of each other. Fig 5



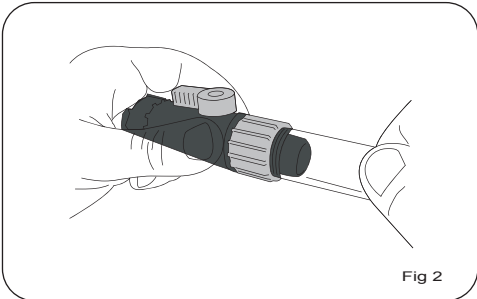
8. Ensure the filter grid is then placed back on top of the last filter basket. This is very important. Fig 6

Installation

1. Open both of the brown accessory boxes and remove all components from there plastic bags. You will find a set of taps and two pieces of hose. Screw the collar on the taps all the way in. (Clockwise) Fig 1

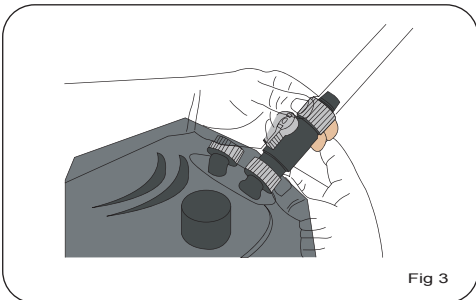


2. Now push one end of the hose over the hose tail and thread. Push it on as far as possible. Fig 2



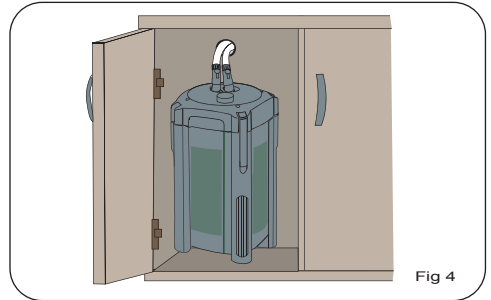
3. Now turn the collar anti clock wise to lock in the hose. Do this on both pieces of hose.

4. Attach the taps to the inlet and outlet at the top of the filter head. There is a sticker on each tap and a label on the top of the unit which it corresponds to **IN** goes to **IN** & **OUT** to **OUT**. Fig 3



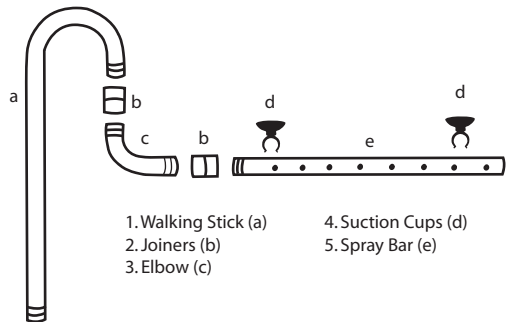
5. Be sure not to cross thread the tap as this may crack the seat and cause it to leak. Over tightening the tap will have the same effect. **NO TOOLS ARE REQUIRED. HAND TIGHT IS ENOUGH.**

6. Place the canister in the desired position and feed the hose through the cabinet or stand. Fig 4



7. Choose the outlet you wish to use and assemble it. You will find you have 2 Walking Sticks; the shorter one is generally used for the outlet. However if you have a shallow aquarium you can use the longer one.

8. **Outlet option 1** is the Spray Bar, this can be set up to run along the back or side wall of the aquarium.



9. Attach a Joiner (b) on to the shorter side of the Walking Stick (a), insert an Elbow (c) into that. Then attach another Joiner (b) onto the other end of the Elbow. (c) Insert the Spray Bar (e) into the other end of the Joiner (b) . Press together firmly. Attach Suction Cups (d) to the Spray Bar.

Installation

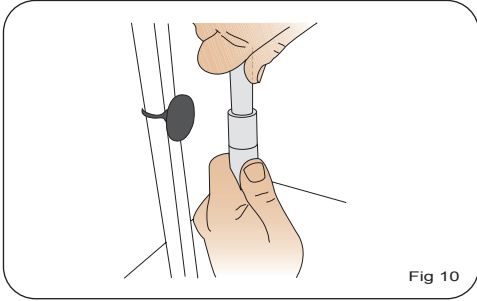


Fig 10

21. Repeat steps 19 to 22 for the outlet.

22. Place the suction caps on the spray bar or duck bill then attach it to the back or side of the aquarium. Fig 11

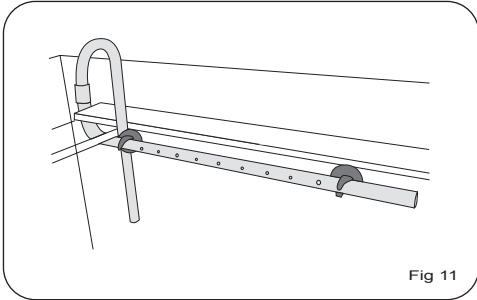


Fig 11

23. You are now ready to start your filter.

Starting Your Filter

METHOD 1

NOTE: Your aquarium must be filled with water to prime your filter. Ensure both taps are in the on position by shifting the plastic lever from the OFF (Horizontal position) to the ON (Vertical position). **NOTE:** Once the filter is running, double check the fittings and seals for water tightness. Fig 1

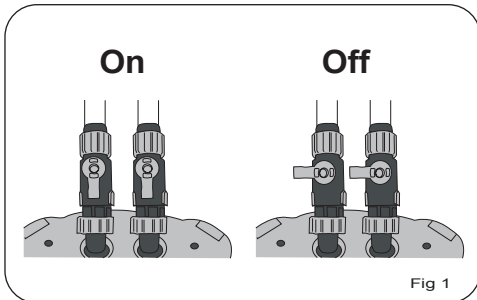


Fig 1

1. The Primer for your canister filter is located at the top of the head unit. Fig 2

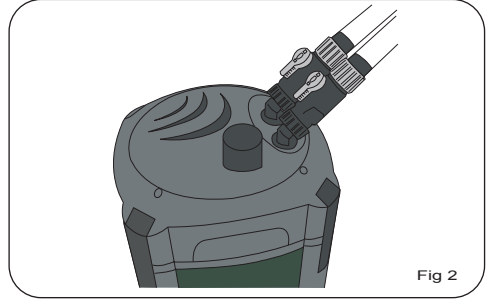


Fig 2

2. Press the primer down either with your thumb or your palm Fig 3

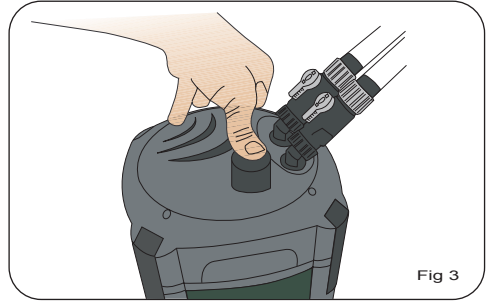


Fig 3

3. Depress all the way then release. Fig 4. Continue to pump the primer until the water flows down the inlet tube and begins to fill the canister.

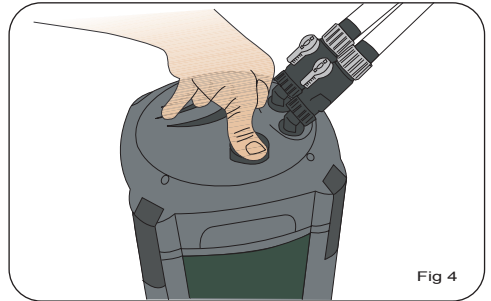


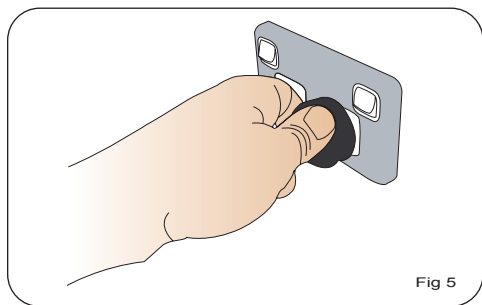
Fig 4

4. Stop pumping and allow the canister to fill with water.

5. The filter is primed when the intake pipe and canister are completely filled and the water starts to travel up the outlet tube.

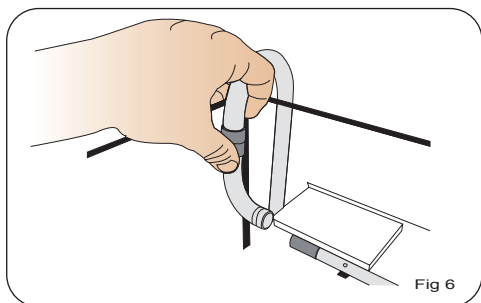
Starting Your Filter

6. Now the Canister Filter is ready to be plugged in. Fig 5

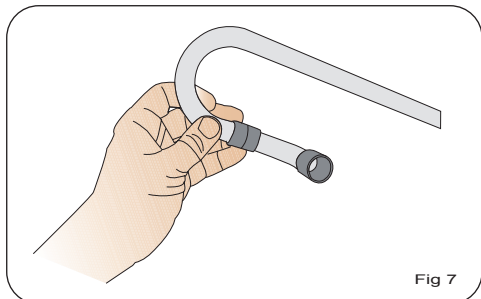


METHOD 2

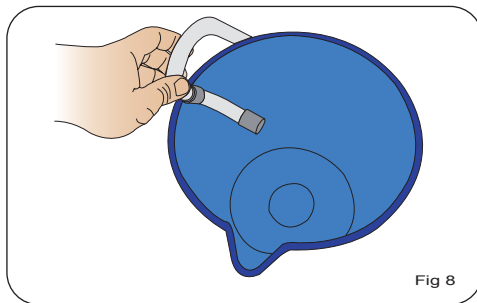
1. Temporarily detach the outlet from the tubing. Either the Spray Bar or the Duck Bill. Fig 6



2. Place your mouth over the end of the outlet and create siphon effect by sucking on the tube. Fig 7



3. Once the siphon begins, lower the outlet tube into a bucket. Fig 8



4. Now wait until the siphon continues to fill the canister and eventually overflow into the bucket via the outlet pipe.

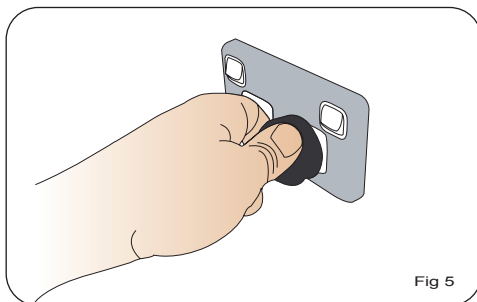
5. The filter is primed when the intake pipe and filter is completely filled with water.

6. Now place your thumb over the open end of the tubing or turn the taps to the off position.

7. Reattach hose to the outlet pipe and affix the outlet pipe to your aquarium.

8. Turn the taps back to the **ON** position.

9. Now the Canister Filter is ready to be plugged in. Fig 5



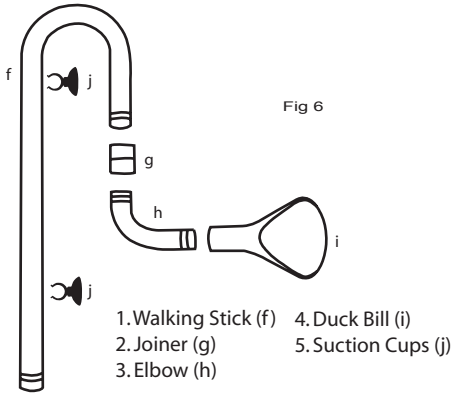
Installation

10. You can determine how long or short you want the Spray Bar. If you would like it shorter simply use a hack saw to cut it. Be careful not to cut and throw the side away with the end cap in it. DO NOT cut it too short. This will increase back pressure on the impeller and may cause the pump to become noisy!

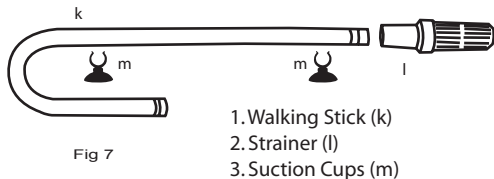
11. If you would like to extend the Spray Bar simply remove a Joiner (b) from the spare elbow and attach between the two Spray Bars (e). Make certain that the Spray Bar with the end cap in it is installed at the end.

12. **Outlet option 2** is the Duck Bill outlet, this can simply be set up anywhere along the back wall or side wall of the aquarium.

13. Attach a Joiner (g) into the shorter side of the Walking Stick. (F) Insert a Elbow (h) into the Joiner (g) then attach the Duck Bill (i) onto the other end of the elbow. (h) Press together firmly. Attach the Suction Cups (j) to the Walking Stick. (f) Fig 6

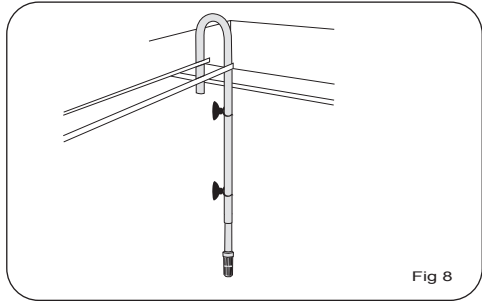


14. Use the second Walking Stick (k) for the Inlet. Simply attach the Strainer (l) to the longer side of the Walking Stick (k). Then Attach two Suction Cups (m). Fig 7



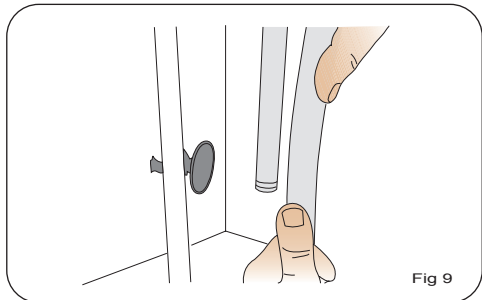
15. You will notice in your accessory boxes an extension for very deep aquariums. Attach the extension onto the bottom of the Walking Stick (k) then the Strainer (l) onto the bottom of the extension.

16. Install the inlet first. (One with the Strainer (l)) Place it into the aquarium, stick it to the glass wall. Fig 8



17. Pull the hose from the inlet side of the filter up next to the inlet Walking Stick and line up.

18. Measure a good 10cm more that what you need past the bottom of the Walking Stick. Fig 9



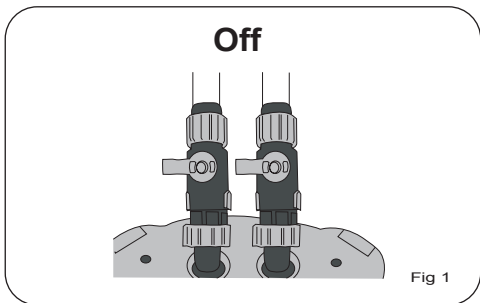
19. Cut the hose using a sharp blade, try to cut it straight and be careful not to cut yourself.

20. Force the hose onto the Walking Stick. You should be able to get it on 2.5 to 3cm. Fig 10

Cleaning your filter

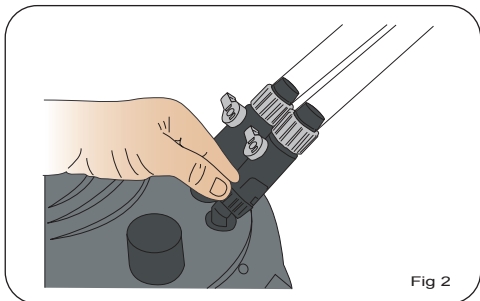
1. Turn the canister filter off at the socket and unplug.

2. Turn both of the taps to the off position. Fig 1



3. Place a towel or a shallow container under the canister unit. This will prevent any water spilling onto your cabinet or stand and damaging it.

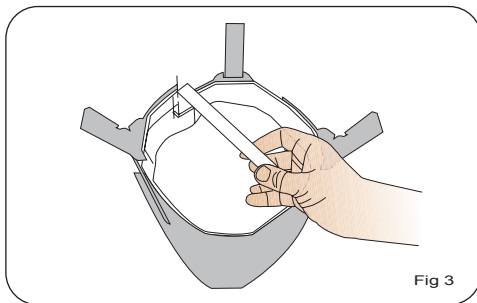
4. Disconnect the taps from the head unit by unscrewing them. Undo the collar closest to the head of the filter. Not the ones on the same side as the hose. Please note some water will leak out. Fig 2



5. Fill a bucket with water from your aquarium and take it to the sink or wherever you intend to clean your filter. Keep in mind cleaning your filter can be messy, cleaning is recommended outside or at a sink. Ensure the area is clean and free from soaps and detergents.

6. Open the canister. Release the 4 clips and remove the head unit, place it somewhere safe where it will not be trodden on or broken.

7. Remove the filter grid, extend the handles on the media baskets and remove them from the canister body. Fig 3



8. Remove the filter sponges and the white wool from the media baskets and dunk the baskets with the CeramiSub and BioNood (Or any other type of biological media which may be in them) several times into the bucket. This will clear some of the dirt that can build up and clog the media and prevent the good bacteria which aid in breaking down pollutants in your aquarium from being killed by the chlorine in tap water.

9. Either replace or rinse the white wool pad using a high pressure hose. It should be replaced regularly or when it begins to deteriorate and can no longer be cleaned properly.

10. The sponges can also be rinsed in the bucket of aquarium water (Providing the water is not dirty. Replace if necessary) they will also require replacement eventually as over time they clog and prevent water from traveling through them easily.

11. Place the sponges back into their respective positions and reinsert the media baskets back into the canister body ensuring that each media basket sits nicely on top of the other.

Cleaning your filter

19. Check your inlet, outlet tubes and hoses. If residue has built up on the inside of them remove them from the aquarium. Take to the sink, run hot water through them to loosen the slime. Run a double ended pipe brush through them, and flush again with hot water. This build up will reduce the flow rate of your filter considerably, so clean when ever it is possible.

20. Return the canister filter to your cabinet or stand and reattach the taps.

21. Refer to the section in this instruction manual Starting You Filter for details on restarting the unit.

Trouble Shooting

THE FILTER UNIT IS LEAKING

1. Check all O-rings are in place and that they are not damaged or soiled.
2. Re-apply tank safe lubricant.
3. The media baskets may not aligned properly.
4. The inlet pipe on the pump head is not aligned with the media basket flow through pipe.

THE FILTER WILL NOT PRIME

1. Check tubing for kinks.
2. Make sure both taps are in the on position (*vertical*).
3. The aquarium needs to be filled.
4. Make sure the intake tube and/or intake strainer is not blocked.
5. Ensure the hoses are connected to the unit correctly. **IN** to **IN** and **OUT** to **OUT**.
6. Ensure the canister has no water in it.

THE FILTER WILL NOT START

1. As the previous tips.
2. Check the impeller and shaft are in good condition.
3. Verify the filter is plugged in.

LOW WATER FLOW

1. As both previous tips.
2. Clean the filter media.
3. Clean the intake and outlet pipes.
4. Clean all tubing.

BOTH WATER & AIR COMING FROM OUTLET PIPE

1. Leave 3-5 minutes.
2. Make sure an air stone is not operating near the intake strainer.
3. Check all tubing is connected firmly.
4. Check all O-rings and re-apply tank safe lubricant.
5. Gently rock filter back and forth trying to discharge the air in the canister.

FILTER IS MAKING NOISE

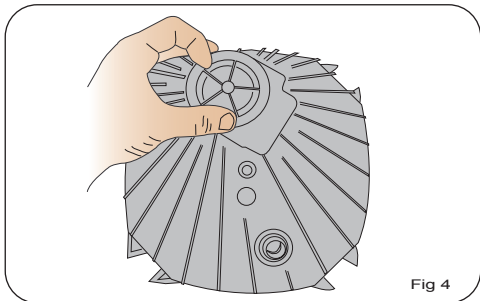
1. As per previous tips.
2. Outlet or inlet flow is restricted.



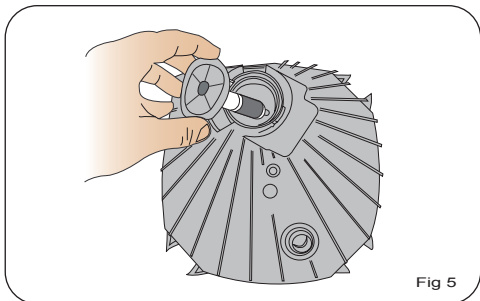
Cleaning your filter

12. The impeller should also be cleaned when ever the filter is disassembled.

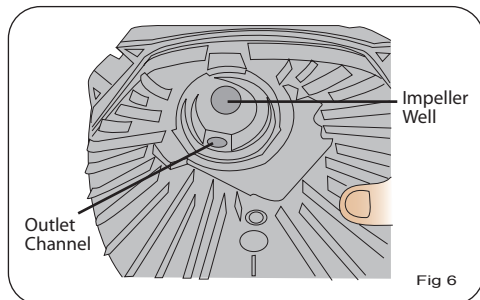
13. Turn the head unit over and turn the impeller locking cover anti clock wise and remove it. Fig 4



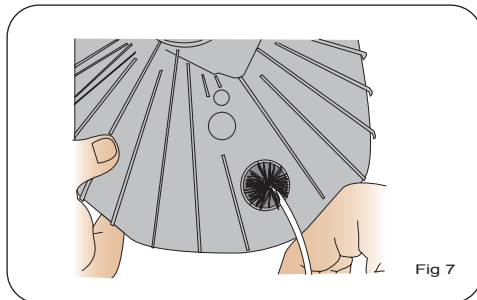
14. Then pull the impeller cap off and remove the impeller. Fig 5



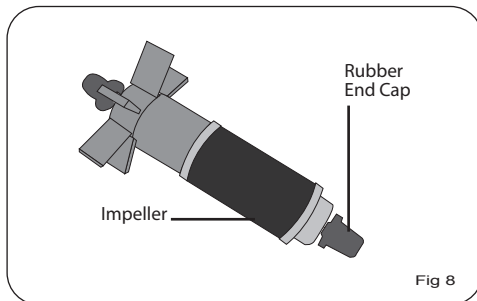
15. Clean the impeller well and the outlet channel using a double ended pipe brush. Fig 6



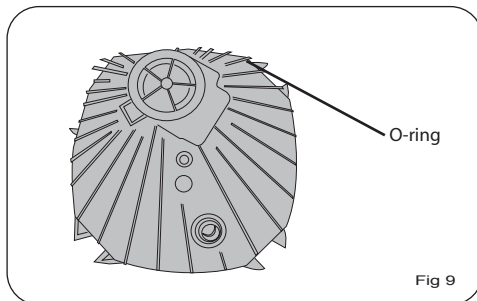
16. Use the double ended pipe brush and clean the inlet tube which runs through the base of the head unit. Fig 7



17. Pull the rubber end cap off the shaft of the impeller and run water through the hole in the middle of the impeller. Clean any debris which may have built up on the shaft off, along with any slime build up on the impeller. Fig 8



18. Put the impeller back together and ensure that it rotates freely on the shaft. Then reassemble the head unit, ensure there is no water on the power cord, plug the head unit in and turn on. Make certain the impeller is spinning. Turn it off. Reassemble the filter unit. Apply an aquarium safe lubricant to the O-ring on the head unit. This will provide a better water seal and make the removal of the head easier next time the filter has to be disassembled for maintenance. Fig 9



Specifications

Canister Model: AQUIS 550
Number of Media Baskets: 2
Dimensions: 18.5 x 27 x 18.5cm
Max Aquarium Volume: Up to 100L
Operating Flow Rate*: 350L/hr
Maximum Flow Rate:** 550L/hr
Max Head Height: 1.5M
Filter Volume: 5 Litres
Power Requirements: 220 ~ 240V
Power Consumption: 18W
Suitable: Coldwater, Tropical, Marine

Canister Model: AQUIS 750
Number of Media Baskets: 3
Dimensions: 18.5 x 33 x 18.5cm
Max Aquarium Volume: Up to 150L
Operating Flow Rate*: 400L/hr
Maximum Flow Rate:** 650L/hr
Max Head Height: 1.7M
Filter Volume: 6.5 Litres
Power Requirements: 220 ~ 240V
Power Consumption: 21W
Suitable: Coldwater, Tropical, Marine

Canister Model: AQUIS 1050
Number of Media Baskets: 2
Dimensions: 22 x 32 x 22cm
Max Aquarium Volume: Up to 200L
Operating Flow Rate*: 750L/hr
Maximum Flow Rate:** 1050L/hr
Max Head Height: 1.8M
Filter Volume: 8.5 Litres
Power Requirements: 220 ~ 240V
Power Consumption: 32W
Suitable: Coldwater, Tropical, Marine

Canister Model: AQUIS 1250
Number of Media Baskets: 3
Dimensions: 22 x 40 x 22cm
Max Aquarium Volume: Up to 250L
Operating Flow Rate*: 850L/hr
Maximum Flow Rate:** 1250L/hr
Max Head Height: 2M
Filter Volume: 12 Litres
Power Requirements: 220 ~ 240V
Power Consumption: 32W
Suitable: Coldwater, Tropical, Marine

* Operating flow rates are based on a typical set-up with the canister filter placed under the aquarium, in a cabinet complete with filter media, pumping to a total height of 120cm, not including spray bar or duck bill attachment.

** Maximum flow rates are based on measurements taken as the water exits the filter unit when it is positioned next to the aquarium with no filter media in the canister.



Precision Manufactured in the P.R.C.
Designed in Australia by Aqua One
Distributed in Australia by:
Kong's (Aust.) Pty. Limited
48 Williamson Rd. Ingleburn.
2565 NSW Australia.

Distributed in New Zealand by:
Kong's (NZ) Limited
52 Glenlyon Avenue. Greerton.
Tauranga New Zealand.

Distributed in Hong Kong by:
Kong's Aquarium Supplies Co., Ltd
No 31, 3/F Thriving Industrial Centre
26-38 Sha Tsui Road, Tsuen Wan,
Hong Kong.

Distributed in the UK by:
Kong's (UK) Limited,
C/O Aqua Pacific UK Ltd.
PO Box 268
Romsey Hampshire
SO51 0WW
United Kingdom.



www.aquaone.com.au
© Aqua One and Kong's are registered trademarks.

Aqua One - Guarantee 2 + 2 Year

Congratulations on your purchase of a quality Aqua One product. This product will last for many years under normal usage the guarantee commences from the day of purchase. You must provide proof of purchase when you submit your equipment for repair under guarantee.

The benefits given to the purchaser by the manufacturers guarantee are in addition to all other rights and remedies which the purchaser has in respect of the equipment under the legislation of the appropriate country of purchase.

Your 2 year guarantee can be extended by a further 2 years upon registration with the distributor. This can be done online at the address below or by completing the extended guarantee registration card and returning by post to the address of your country of purchase.

www.aquaone.com.au

General Guarantee Conditions:

1. All claims for guarantee service should be made to the place of purchase.
2. You must provide proof of purchase when you submit your equipment for repair under guarantee.
3. This guarantee extends only to defects occurring in materials or workmanship under normal use of the equipment when operated in accordance with the supplied instructions.
4. Replacement equipment is guaranteed for the remainder of the original manufacturer's guarantee period.

Guarantee does not cover:

- a. Cost of freight, postage or the cost of insurance.
 - b. Service costs arising from failure to correctly adjust the controls of the product or to clean the hoses, filter media, impellers, pump heads, failure to observe the manufacturer's instructions or inspections that reveal that the equipment is in normal working order.
 - c. Equipment failures caused by misuse, neglect, normal wear and tear, accidental breakage, repairs or modification by unauthorised persons, lightning strikes, mains voltage fluctuation, earthquakes, vermin infestation or liquid spillage.
 - d. Consumables, such as impellers, shafts, filter cartridges, filter media, sponges, wool, light tubes, lamps, bulbs, glass sleeves or starters.
 - e. In no event will the manufacturer or distributor of that country be liable for any consequential or incidental damage including, but not limited to loss of livestock, property damage, damage to equipment, appliances, furnishings, loss of life, personal injury, lost profits or wages arising from the use of this product or from failure of this product.
 - f. Damaged incurred in transit resulting from inadequate packing.
5. It is recommended that all equipment subject to claim should be prepared for transportation in its original packaging or other suitable packaging which offers the same degree of protection.

Aqua One[®]

Keep an eye out for these Aqua One products at your local retailer...



Fish keeping has never been easier...

Aqua One specialises in all of your aquarium needs.

Aqua One uses state of the art technology which results in the most efficient and superior aquarium products.

The Aqua One range includes a wide range of curved glass aquariums, air pumps, filters, power heads, heaters, reflectors, under water lighting, along with fish foods, cleaning and maintenance accessories and decorations.