

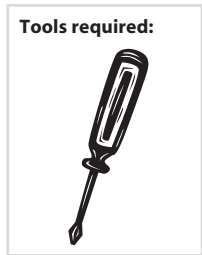
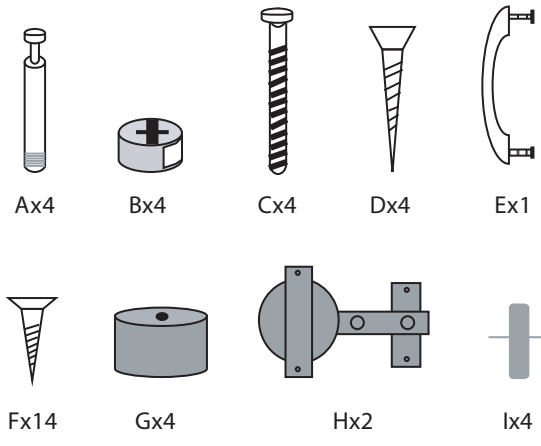
Cabinet Assembly Instructions

Aqua One[®]

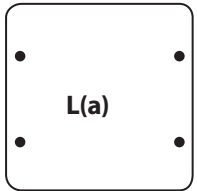
AquaStart 340 Pro



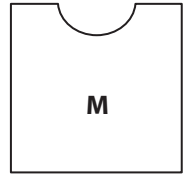
Contents:



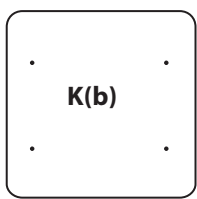
Top
(View from above)



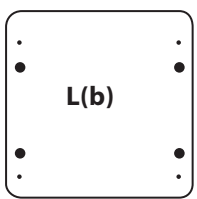
Base
(View from above)



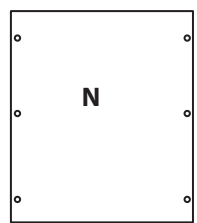
Shelf



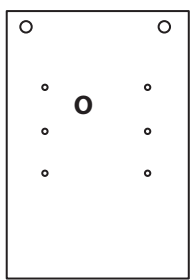
Top
(View from below)



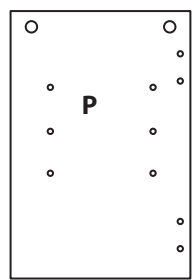
Base
(View from below)



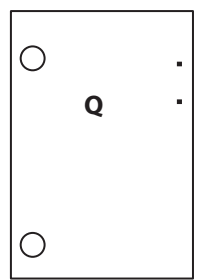
Back panel



Side
(left)

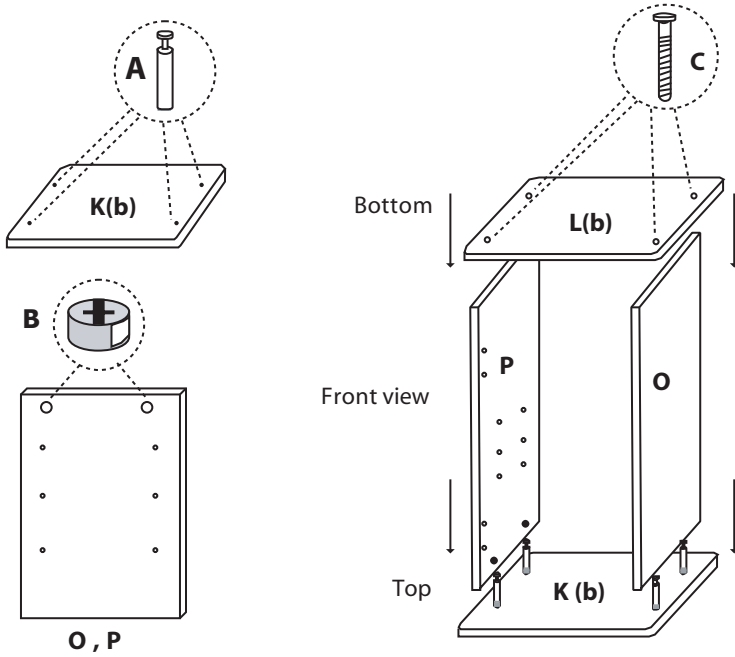


Side
(right)

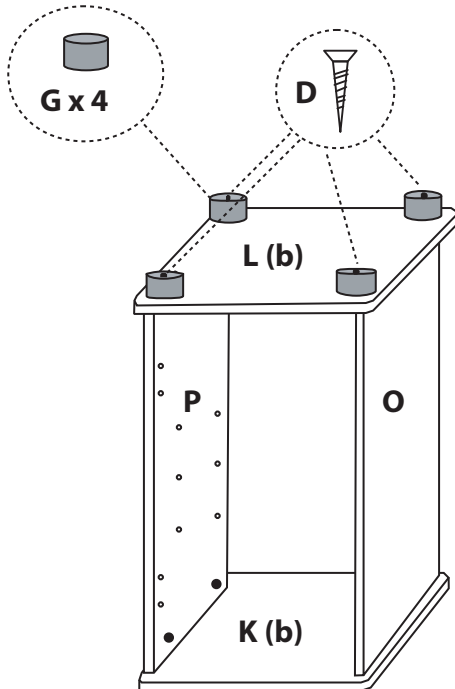


Door

Step 2 : Install the locking nuts & screws. Attach sides to top K(b) and Base L(b).
Use panels K(b), L(b), O, P. Use parts A x 4, B x 4, C x 4



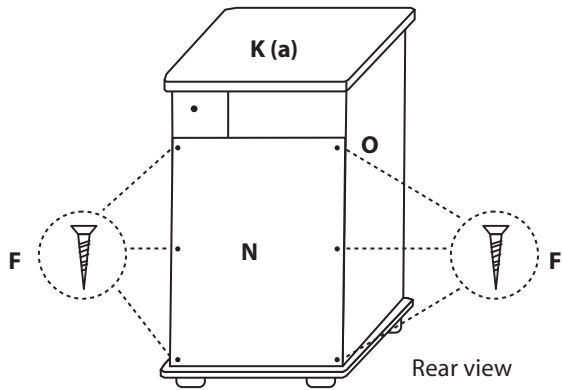
Step 2: Install feet. Use parts G x 4, D x 4.



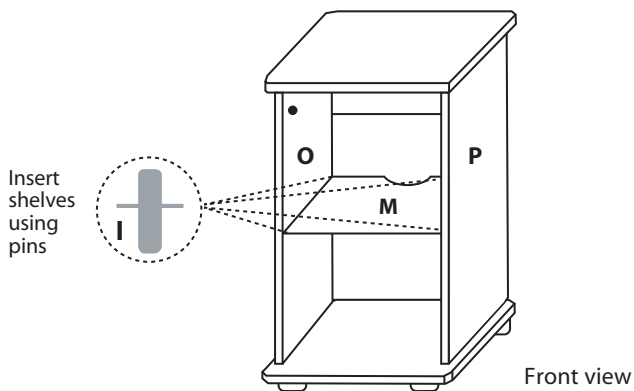
Then turn the cabinet
over on its feet



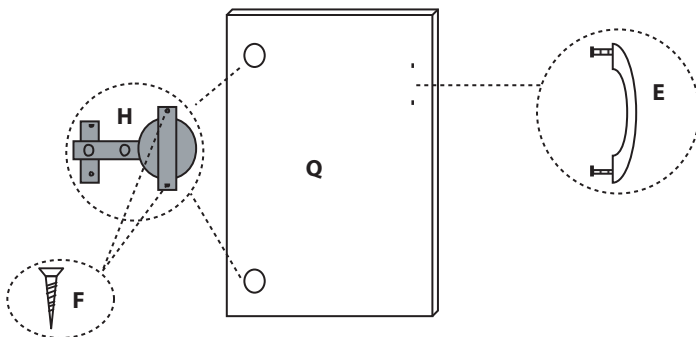
Step 3 : Install the back panel. Use panel N. Use parts F x 6.



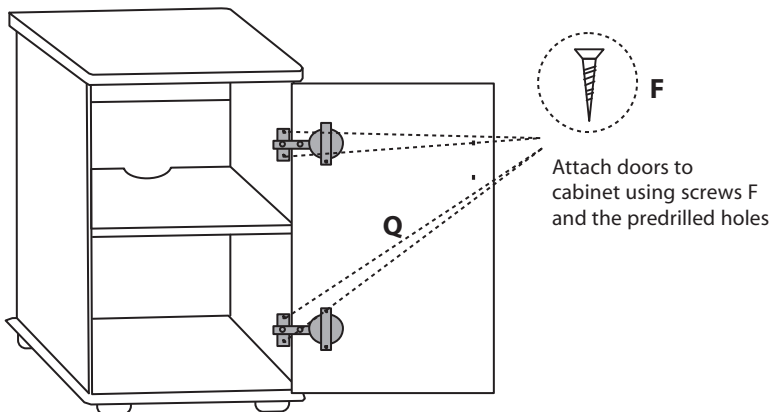
Step 4: Install the shelf. Use panel M. Use parts I x 4.



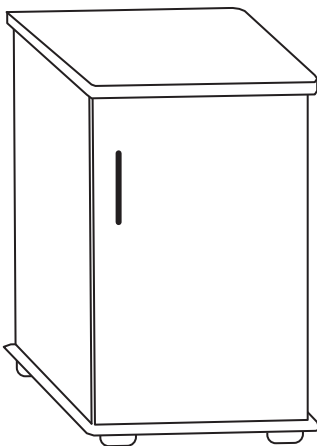
Step 5 : Fasten hinges to the door panel using screws (F). Attach the door handle. Use panel Q. Use parts H x 2, F x 2, E x 1.



Step 6 : Attach door Q to cabinet using screws F into the predrilled holes. Use parts F x 4.



Your cabinet is now complete.



Important Notice

It is absolutely imperative that you ensure this cabinet and aquarium is installed upon level flooring. It is also a prerequisite that you ensure the flooring upon which it is positioned is able to support the weight of this aquarium which could be up to **100kg** including water and decorations.

Installation upon uneven flooring will result in poor distribution of weight. Damages to the aquarium, cabinet or equipment and damages caused by leaks due to improper or uneven installation are not covered by the guarantee with this product.

Care and Maintenance of your Aqua One Cabinet

Cabinet: The use of a damp cloth is recommended, do not use any detergents or harsh chemicals to clean the cabinet and hood as damage may occur.



Aqua One

Precision Manufactured in the P.R.C.
Designed in Australia by Aqua One
Distributed in Australia by:
Kong's (Aust.) Pty. Limited
48 Williamson Rd. Ingleburn
2565 NSW Australia

Distributed in New Zealand by:
Kong's (NZ) Limited
52 Glenlyon Avenue. Greerton
Tauranga New Zealand

Distributed in Hong Kong by:
Kong's Aquarium Supplies Co., Ltd
No 31, 3/F Thriving Industrial Centre
26-38 Sha Tsui Road, Tsuen Wan
Hong Kong

Distributed in the UK by:
Kong's (UK) Limited,
C/O Aqua Pacific UK Ltd
PO Box 268
Romsey Hampshire
SO51 0WW
United Kingdom

® Aqua One and Kong's are registered trademarks.

www.aquaone.com.au

Instruction Version: 07.01.08