



Important Safeguards:

This appliance is not intended for use by children or infirm persons without supervision. Young children should be supervised to ensure that they do not play with the appliance.

Warning: To guard against injury, basic safety precautions should be observed, including the following:

1. Read and follow all safety instructions before using this appliance.

2. Danger: To avoid possible electric shocks, special care should be taken since water is employed in the use of aquarium equipment. For each of the following situations do not attempt repairs yourself. Return the appliance to an authorised service facility for service or discard the appliance.

a) If the light falls into water, do not reach for it, unplug it and then retrieve it. If the electrical components of the appliance get wet, unplug the appliance immediately (non immersible equipment only).

b) If the aquarium shows any sign of abnormal water leakage, immediately unplug it from the power source.

c) Carefully examine the aquarium after installation. It should not be plugged in when there is water on parts which are not intended to be wet.

d) Do not operate any aquarium electrical appliance if it has a damaged cord or plug, or if it is malfunctioning, or dropped or damaged in any manner.

e) The external flexible cable or cord of either of the power heads or the luminaire cannot be replaced. If the cord is damaged these items should be scrapped.

A "drip loop" (See the diagram) should be arranged by the user for each cord connecting an aquarium component to a receptacle. The drip loop is the part of the cord below the level of the receptacle or the connector if an extension cord is used. It is used to prevent water traveling along the cord and coming in contact with the receptacle.

If the plug or receptacle does get wet, do not unplug the appliance. Disconnect the fuse or circuit breaker that supplies the power to the appliance, then unplug and examine for presence of water in the receptacle.

3. Close supervision is necessary when the appliance is used by or near children.

4. Always unplug the aquarium from the electrical outlet, when not in use, before putting on or taking off parts, before any type of maintenance, or cleaning.

Never yank the cord to pull it from the outlet. Grasp the plug and unplug to disconnect.

5. Do not use the aquarium for reasons other than the intended use. The use of attachments that are not recommended or sold by the aquarium manufacturer may cause the product to be unsafe. This is not recommended.

6. Do not install or store the aquarium where it will be exposed to weather or temperatures below freezing.

7. Make sure any component mounted on a tank is securely installed before operating it.

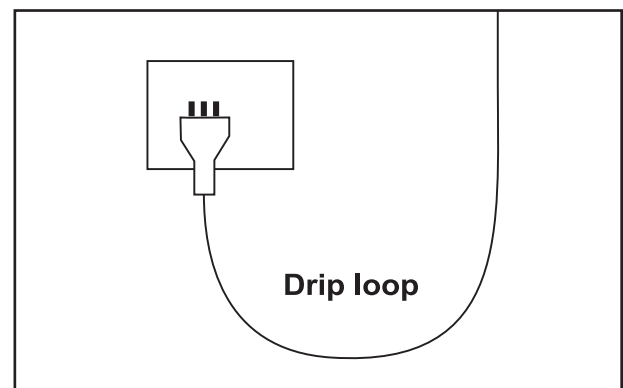
8. Read and observe all the important notices on the aquarium.

9. Ensure input voltage is the same voltage as your local power supply.

10. A G.F.C.I (Ground Fault Circuit Interrupter) & surge protector is recommended for all electrical appliances. (Light unit only)

11. Ensure your hand is dry when turning the power switch on/off and when inserting/removing the power cord from the receptacle.

12. If you are in any doubt about the electrical installation or safety of this product you must consult a qualified electrician.



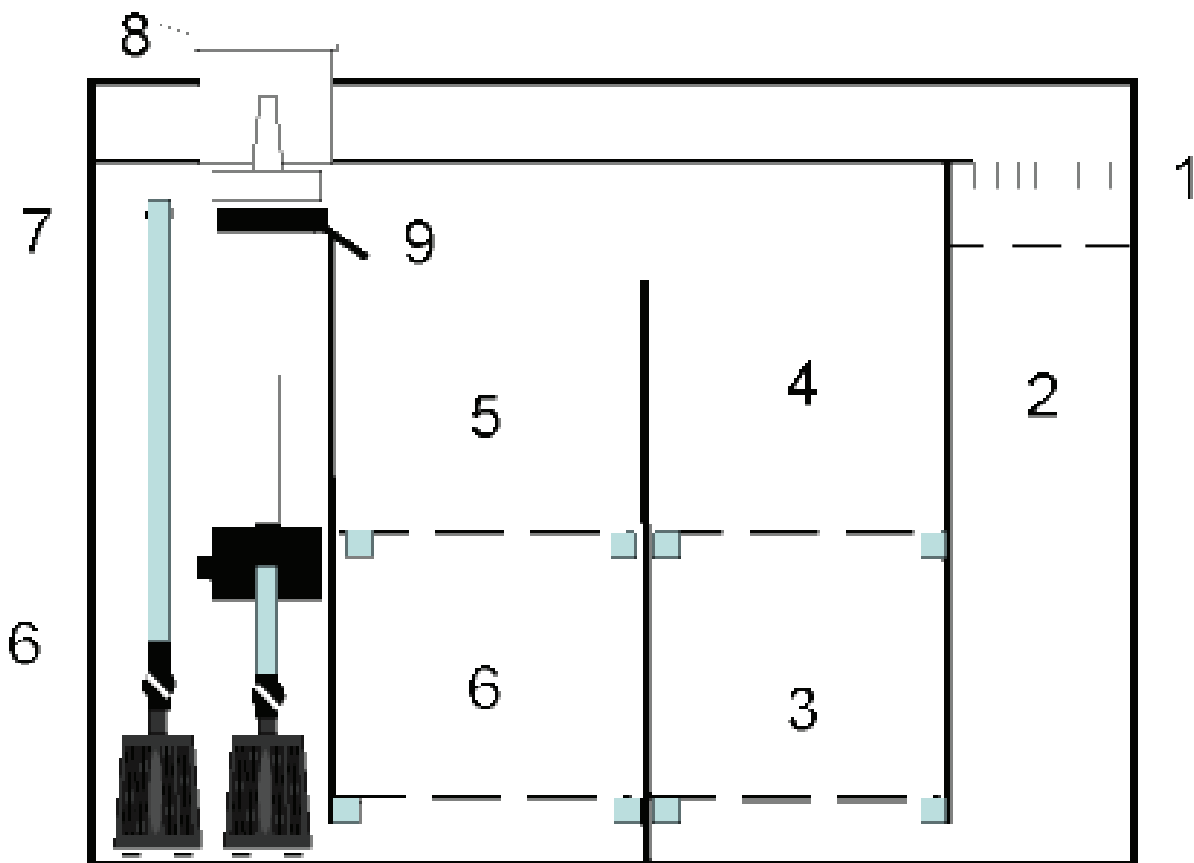
For Guarantee Conditions, please refer to the Guarantee form that is enclosed with this product.

 **Warning:**

This appliance must not be disposed of together with domestic waste. It must be disposed of at an authorised centre set up for the recycling of electrical and electronic appliances. By collecting and recycling waste, you help save our natural resources. Please Make sure this product is disposed of in an environmental friendly and safe way.

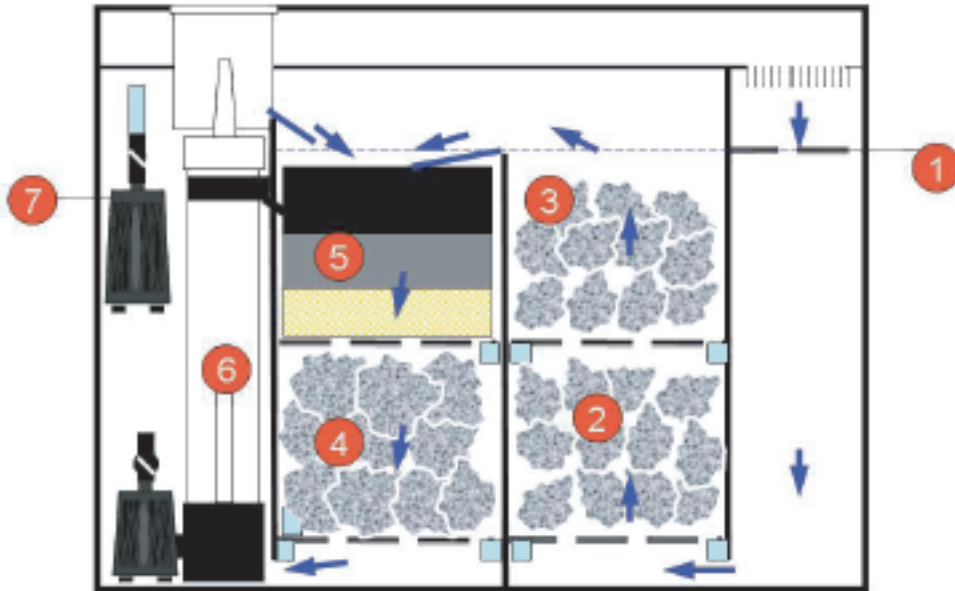
Know Your Tank:

Complete marine aquarium including T5 Triphosphor and T8 Marine Blue lighting, biological and mechanical filtration, protein skimmer and refugium. Supplied with filter media included which may be replaced partially or entirely depending on the needs of the user.



Water enters the filtration unit via a surface overflow (1) where it passes through a coarse prefilter sponge before entering a chamber suitable for placement of a heater (2). After passing beneath a glass division, water flows upwards through a biological filtration chambers (3) which uses the supplied lava rock media to provide surface area for nitrifying bacteria. This filter provides two different areas which can be used as light (illuminated) and dark (shaded) refugia. Water passes upwards through the light refugium (4) where micro-organisms will assist in the breakdown of organic particulate matter. The light refugium (4) is illuminated by a T8 Marine Blue tube to provide environments suitable for different organisms than those which will inhabit the dark refugium (6). Water then flows over a further overflow into a mechanical filtration chamber (5) which includes 3 filter sponges. The final biological chamber (6) or dark refugium comes supplied with lava rock media or can have live rock to provide an area for shade dwelling micro-organisms which are beneficial in breaking down organic particulate matter as well as providing a food source for aquarium inhabitants such as fish and corals. Finally water passes through the final chamber which holds both a protein skimmer and return pump. Water exiting the protein skimmer (9) is passed through the mechanical filter to assist in the removal of excess bubbles.

Filter Media Installation:



Step 1: First remove the light units, filter media and return pump from the aquarium.

Step 2: Remove the protein skimmer from the filter located at the rear of the aquarium. This will help when installing filter media.

Step 3. Open the filter media box and remove all media contents:

- 1 x square blue sponge
- 1 x white wool pad
- 1 x blue rectangular sponge
- 1 x black sponge
- 3 x net bags biological media

then rinse all the media in clean water to remove any debris and dust.

Step 4. Place the small square sponge on top of the filter media support tray in the chamber located directly behind the weir. **1**

Step 5. Remove the dividing filter media support tray from the second chamber. Take the first bag of biological media and place on top of the filter media support tray located at the bottom of the second chamber. **2**

Step 6. Replace the dividing filter media support tray back into the second chamber. Take the second bag of biological media and place it on top of the filter media support tray in the second chamber. **3**

Step 7. Remove the dividing filter media support tray from the third chamber. Take the last bag of biological media and place it on the filter media support tray at the bottom of the third chamber. **4**

Step 8. Place the filter media support tray back into the filter and add the sponges in the following order:

White wool pad at the bottom, followed by blue sponge and then the black coarse sponge. **5**

AquaReef 200

Skimmer Instructions:

Aqua One®



Step 1. The skimmer should arrive pre assembled but the following checks will need to be done.

Step 2. Check the pipework connecting the pump to the skimmer is pushed in firmly and securely. (1)

Step 3. Check the airline is pushed on firmly to the venturi connector. (2)

Step 4. Check the airline is fitted to the airline clamp securely. (3) This will hold the venturi adjustment upright.

Step 5. Check the venturi adjustment is securely pushed into the airline. (4)

Step 6. Check the outlet nozzle is pushed firmly and securely onto the skimmer. (5)

Step 7. Check the skimmer collection cup is pushed firmly onto the top of the skimmer. (6)

Installing the Skimmer:

Step 1. Lower the skimmer into the fourth chamber so the skimmer outlet is above the sponges in the third chamber.

Step 2. Important There is a small screw (7) which can be used to ensure the skimmer is level.



Installing the return pump:

Step 1. Unpack the return pump and the required fittings from the box.

Step 2. Screw fitting (1) directly into the pump outlet.

Step 3. Next attach the extension pipe with flow controller (2) directly onto the first fitting. (1)

Step 4. Attach the blue elbow (3) directly onto the extension pipe. (2)

Step 5. Lower the pump into the fourth chamber and push the threaded connector (3) through the drilled hole into the main tank.

Step 6. Place the washer provided over the thread and attach the return nozzle. (4) Screw on the nozzle until it becomes tight against the glass. Direct nozzle downwards into the tank before operation.

AquaReef 200

Light Unit Installation:

Aqua One[®]



Front light unit



Rear light unit

(Short tube should be over the filter unit)



Step 1: Remove the light units and flap sets from the boxes.

Step 2: There are 2 different light units, one is T5 which is positioned at the front of the aquarium. The second is T8 with one tube smaller than the other should be positioned at the rear, the shorter (lower output) tube is designed to be over the refugium filter.

Step 3: Line up the first light with the two edges of the aquarium and it will sit in place, repeat this process with the second light unit, making sure the smaller bulb is at the back.

Step 4: Feed the cables through the hole provided on the back of the aquarium.

Step 5: Take the first flap (1) and insert the two pins into the light unit. The flap should push forward and sit flat.

Step 6: Take the second flap (2) and insert two pins into the back of the first light unit, the second flap will now sit flat.

Step 7: Take the second light unit and tilt it forward this will enable you to fit the middle flap to the second light unit.

Step 8: Repeat step 5 to fit the remaining back flap (3)

Step 9: Plug into the power supply and switch on both light units.

Note: Ensure all aluminium reflectors are above the light tubes and can therefore reflect the light back into the aquarium.

AquaReef 200

Aqua One®

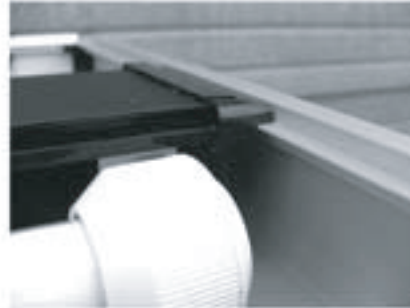
Light Unit Installation:

Light tubes (please read the general electrical safety instructions before installing the lights, filter or heater) Your new aquarium uses standard tubes (supplied). They are available as replacement parts from your local Aqua One dealer. Light tubes are not covered by the guarantee. Life expectancy is generally 10 months or more, however tubes lose their output gradually over time. To maintain the health of plant and aquatic life effected by the amount of light available we suggest changing them every 6 months.

Locating the lights Positioning of lights on aquarium (left to right) (note some models have twin light units. The black end caps have brackets which slide over the aquarium trim. Please ensure light unit is firmly in place before switching on. The black hood covers help secure the lights in place.

Removing Light Tubes Switch light off, remove from mains supply and tank before disassembly of lights at any time. Unscrew the white end caps of the tube holders by turning anti clockwise. Both caps should be removed before the tube is slid out. Keep end caps as these are required for re-installing.

Installing new tubes with the light unit unplugged and removed from the tank, slide the end caps over the tube both ends. (right) Gently slide the tube pins into the end cap receptacles (first right). Fully tighten the caps back on their threads. Be careful not to cross thread as this is a water tight seal. Only use hand tight. Ensure they are fully tightened. Test before re-installing on to the tank.



NOTE:Your light unit is tested to IPx7. This means that it can withstand temporary submersion. However, **IT IS NOT A SUBMERSIBLE LIGHT**

Marine Tank Maintenance:

DAILY: Feed your fish as per instructions on your fish food container.

Check fish ensure they are eating, breathing and swimming normally.

Check temperature.

Count fish numbers.

Check coral or other invertebrates for signs of colour fade or slime build up.

Ensure all filters, pumps, heaters and other aquarium accessories are functioning correctly.

WEEKLY: Test pH, ammonia, nitrite, nitrate, phosphate kH and specific gravity and record it in your log book (sold separately). If you are keeping coral or other sensitive marine animals you may wish to perform further testing. Seek advice from your marine aquarium specialist.

Use quality test kits, Aqua One have a range of ProDrop test kits (sold separately) which will allow you to easily and accurately monitor your water quality.

Some species require specific water conditions please seek advice from your marine aquarium specialist.

FORTNIGHTLY: 25% Water Change

What you will need: A bucket, gravel cleaner, towel, algae scraper, water conditioner, filter supplement and either synthetic salt or pre mixed water. All items are available from your local Aqua One retailer.

1. Wash your hands and arms.

2. Make up your salt water. Follow instructions on your synthetic salt packaging, or have your premixed drums ready for use.

3. Check the pH, temperature and specific gravity of both your tank water and the new water. Make any adjustments which need to be made to the new water. You may wish to purchase a second heater to warm the new water.

4. Once the water is ready for use, remove both light units and covers from the aquarium and place them somewhere safe away from water and where it will not be broken or damaged.

5. Turn the return pump and skimmer pump off.

6. The fish and coral do not need to be removed when doing any maintenance.

7. Place the towel on the floor in front of the aquarium to guard from water spillage.

8. Use an algae scraper (sold separately) and gently scrape away any algae growing on the glass or filter pipes.

9. Using a gravel cleaner* (sold separately) empty approximately 25% of the aquarium water into the bucket. Take note of how much water is emptied.

10. Fill the aquarium up slowly to the level just underneath the glass brace.

11. Turn the return pump and skimmer pump back on and ensure that water is flowing from both outlets.

12. Check the water level in the filter, ensure the return pump is completely submerged in water.

13. Leave the aquarium for a short period of time to allow it to settle, and then test pH, specific gravity and temperature.

14. Add liquid supplements if required and remember to turn your protein skimmer off and remove carbon from the filter (if used). Follow instructions on supplements bottle for recommended times to leave the skimmer off and carbon out of the system.

15. Replace lights and covers and check your fish and coral.

* Refer to the instructions on the back of your gravel cleaner to ensure correct use.

Pump Maintenance:

The return pump and skimmer pump should be disassembled and cleaned on a monthly basis. Refer to the Diagram on page 10 for the following instructions.

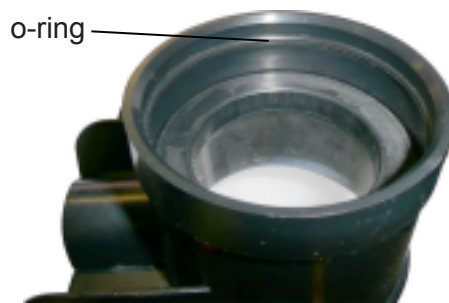
1. Turn off all power and unplug the return and skimmer pump before servicing the units.
2. Remove both light units and covers from the aquarium and place them somewhere safe away from water and where it will not be broken or damaged.
3. Place the towel on the floor in front of the aquarium to guard from water spillage.
4. Remove the return pump and complete skimmer.
5. For both units gently turn the impeller cover lock anti-clock wise to remove it.
6. Pull the impeller cover away from the motor. This will be a tight fit.
7. Clasp the Impeller Blades with needle nose pliers and slowly pull the impeller from the impeller chamber.
8. Clean impeller under warm running water. Do not use soap or detergent. Remove the rubber end caps and ceramic shaft and run clean water through the hole in the centre of the impeller.
9. Use an Aqua One Double Ended Pipe Brush to clean the Impeller chamber thoroughly. (Where the impeller sits in the motor)
10. Reassemble in the reverse order; ensure an aquarium safe lubricant is used to lubricate the O-ring on the impeller cover.

Notes

Skimmer Maintenance:

While the skimmer pump is disassembled, clean the skimmer out at the same time.

1. Remove the o-ring located at the top of the skimmer body. Remove the collection cup and gently pry the o-ring from the channel, as indicated in the picture below.

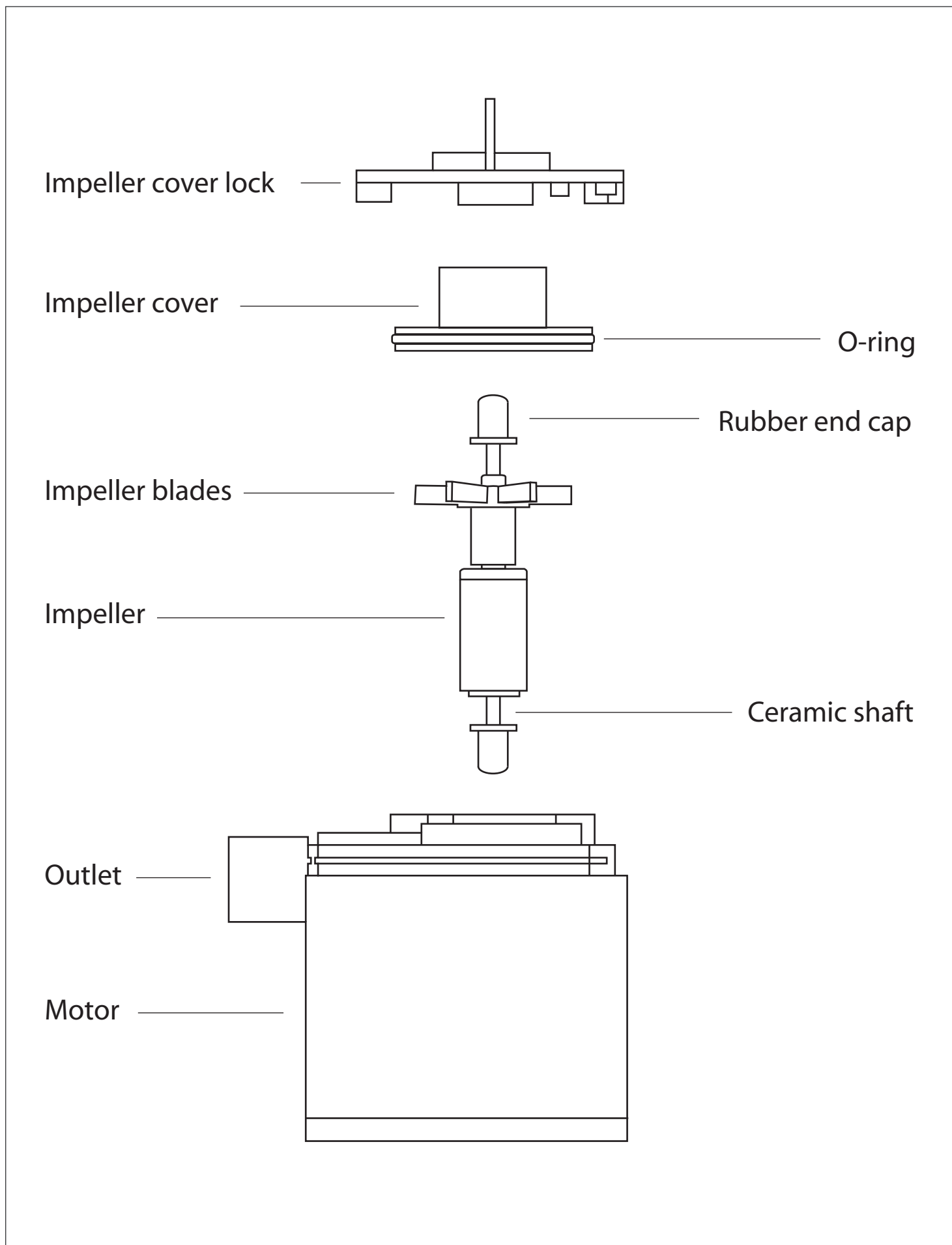


2. Remove the inner cylinder and clean.



3. Flush the skimmer body, all plumbing and attachments.
4. Apply a small amount of aquarium safe lubricant to the o-ring prior to reinstalling it.
5. Reassemble the unit and return it to the aquarium.

Cleaning your Return & Skimmer Pump:



Introduction of Fish:

Note: This is only a guide! You should seek professional advice from your local marine specialist at the time of purchase.

DO NOT ADD ALL FISH AT ONCE!

Build stock levels slowly over time. Add a filter supplement to help the biological system cope with the additional waste.

Do not over crowd. Remember all fish will grow, so allow them adequate space.

Trouble Shooting:

If you are in any doubt about the electrical installation or safety of this product you must consult a qualified electrician.

LIGHT UNIT DOES NOT WORK

1. Ensure switches are in the "on" position on the lead of the light unit.
2. Check light is plugged into power supply and the switch is on.
3. Check the globes are in good condition. Replace if needed.

FILTER WORKING BUT NO / SLOW WATER FLOW.

1. Remove the pre filter sponge and clean.
2. Remove the return pump, open and remove the impeller. Ensure it is in good condition and there are no foreign objects in the impeller chamber.
3. Check the out let, ensure there is nothing obstructing it.

AQUARIUM POSSIBLY LEAKING

1. Make sure water level in the aquarium is not too high.
2. If an air stone is being used check it is not bubbling water over the rim of the aquarium if so turn the air pump down or move the airstone from the edge of the aquarium.
3. Make sure the aquarium is sitting on a level surface.
4. Remove any salt creep as it can drain water from the aquarium.

5a. Open the aquarium lid and turn the filter off. Mark the water level. Remove any excess water that may be sitting on the edge of the aquarium. Leave for an hour. If water level drops proceed to step 6b.

5b. Remove the fish, decorations and gravel. Empty the aquarium and clean the glass
DO NOT WASH IN SOAP OR DETERGENT.

Place a piece of newspaper on a flat level concrete surface. Carefully fill the aquarium ensuring not to spill any water on to the newspaper. Leave the aquarium for several hours and then inspect the newspaper for wet patches.

Aquarium Model: AquaReef 200
Overall Dimensions: 82W x 146H x 52Dcm
Glass Thickness: 10mm
Return Pump Flow Rate: 2500 L/hr
Operating Aquarium Volume: 180L
Light Wattage: 2 x 24W T5
1 x 20W / 1 x 15W T8
Return Pump Flow Rate: 2500 L/hr
Skimmer Pump Flow Rate: 1800 L/hr
Power Requirements: 220 ~ 240V
Suitable: Marine

Precision Manufactured in the P.R.C.
Designed in Australia by Aqua One
Distributed in Australia by:
Kong's (Aust.) Pty. Limited
48 Williamson Rd. Ingleburn.
2565 NSW Australia.

Distributed in New Zealand by:
Kong's (NZ) Limited
52 Glenlyon Avenue. Greerton.
Tauranga New Zealand.

Distributed in Hong Kong by:
Kong's Aquarium Supplies Co., Ltd
No 31, 3/F Thriving Industrial Centre
26-38 Sha Tsui Road, Tsuen Wan,
Hong Kong.

Distributed in the UK by:
Kong's (UK) Limited,
C/O Aqua Pacific UK Ltd.
PO Box 268
Romsey Hampshire
SO51 0WW
United Kingdom.



Aqua One®

www.aquaone.com.au

© Aqua One and Kong's are registered trademarks.

Are your fish telling You something?

- Due for a water change?
- Maintenance required?
- How is your aquarium water quality?



Aqua One Test Kits



Keep an accurate and up to date record of your aquarium using the Aqua One Test Kit Log Book

www.aquaone.com.au