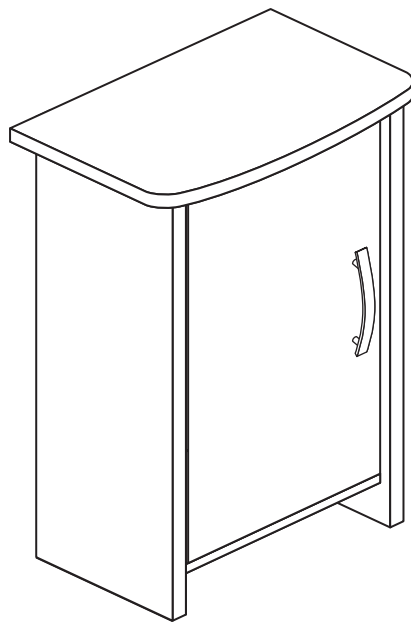


# Assembly Instructions

Please keep for future reference



## AquaVue 380



Version 1 : 19/10/2015

Important - Please read these instructions fully before starting assembly

ALR3259

# Safety and Care Advice

**Important - Please read these instructions fully before starting assembly**

• **Warning:**  
Please lift with care.

• Check you have all the components and tools listed.

• Remove all fittings from the plastic bags and separate them into their groups.

• Keep children and animals away from the work area, small parts could choke if swallowed.

• Parts of the assembly will be easier with 2 people.

• Make sure you have enough space to layout the parts before starting.

• Assemble the item as close to its final position (in the same room) as possible.

• Assemble on a soft level surface to avoid damaging the unit or your floor (use opened out unit carton).



• We do not recommend the use of power drill/drivers for inserting screws, as this could damage the unit. Only use hand screwdrivers.

• **Safety note:** It is recommended that this unit is secured to a wall using the overbalance protector kit supplied or, an alternative fixing method of your choice.

• Dispose of all packaging carefully and responsibly.

## Care and maintenance

• Only clean using a damp cloth and mild detergent, do not use bleach or abrasive cleaners.

• From time to time check that there are no loose screws on this unit.

• This product should not be discarded with household waste. Take to your local authority waste disposal centre.

## Contact Us

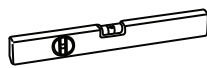
Aqua Pacific UK Ltd.  
Unit 10, Oriana Way  
Nursling Industrial Estate  
Southampton  
SO16 0YU

Tel +44 (0) 2380 734000  
Fax +44 (0) 2380 740200  
Sales@aquapacific.co.uk

### Tools



Rule



Spirit level



Cross-head screwdriver



Scissors



Hammer



Eye protection (when using a hammer or drill)



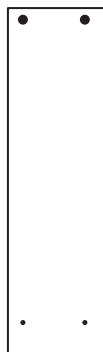
Electric drill (do not use for fitting screws)

# Panels & Fittings

Please check you have all the panels and fittings listed below



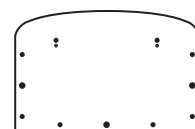
**1** Left Side (D3106A)  
(71.6 x 19.9cm)



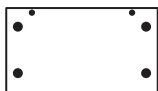
**2** Right Side (D3107A)  
(71.6 x 19.9cm)



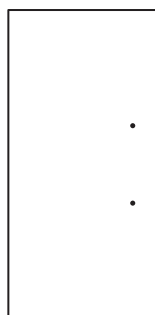
**3** Back (D3108A)  
(71.6 x 24.8cm)



**4** Top (D3105A)  
(37.9 x 24.8cm)



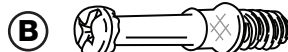
**5** Base (D3109A)  
(31.3 x 17.7cm)



**6** Door (D3111A)  
(63.8 x 30.7cm)



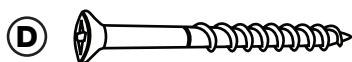
**A** Wooden Dowel (F22) x 3



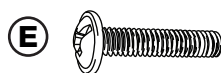
**B** Large Metal Dowel (F901) x 10



**C** Large Locking Nut (F900) x 10



**D** 45mm Screw (F65) x 2



**E** 19mm Screw (F461) x 2



**F** Handle (F300) x 1



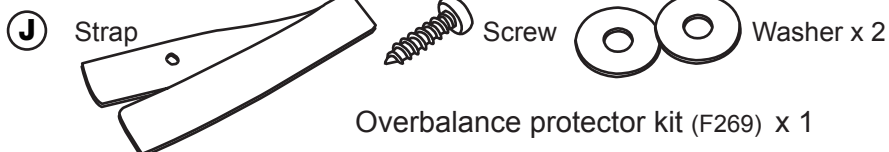
**G** Plastic Nail (F91) x 6



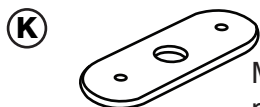
**H** Sprung Pivot (F580) x 2



**I** Pivot Washer (F581) x 2



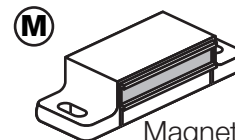
**J** Strap Screw Washer x 2  
Overbalance protector kit (F269) x 1



**K** Magnetic plate (F41) x 1



**L** 13mm Screw (F109) x 3



**M** Magnetic catch (F38) x

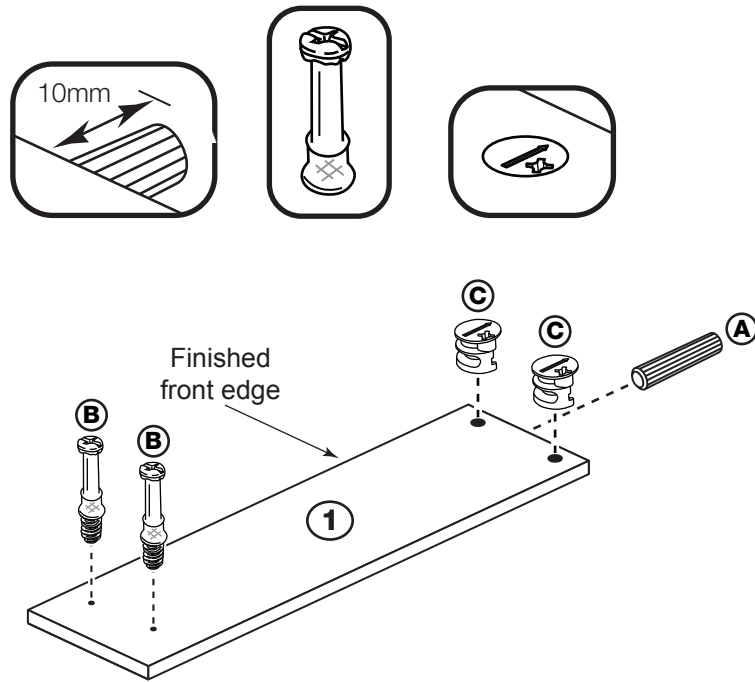
## Step 1

### Prepare the Left Side

Tap a Wooden Dowel into the Left Side.

Screw 2 Large Metal Dowels into the Left Side.

Insert 2 Large Locking Nuts into the Left Side.



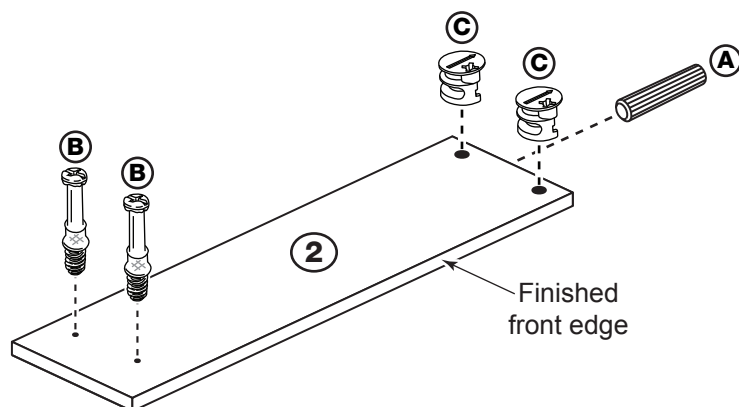
## Step 2

### Prepare the Right Side

Tap a Wooden Dowel into the Right Side.

Screw 2 Large Metal Dowels into the Right Side.

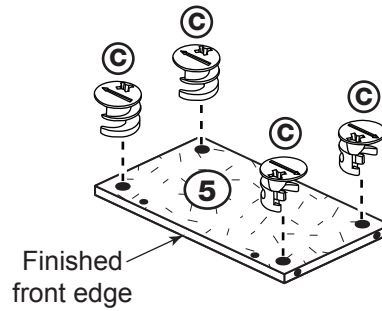
Insert 2 Large Locking Nuts into the Right Side.



### Step 3

#### Prepare the Base

Insert 4 Large Locking Nuts into the Base.



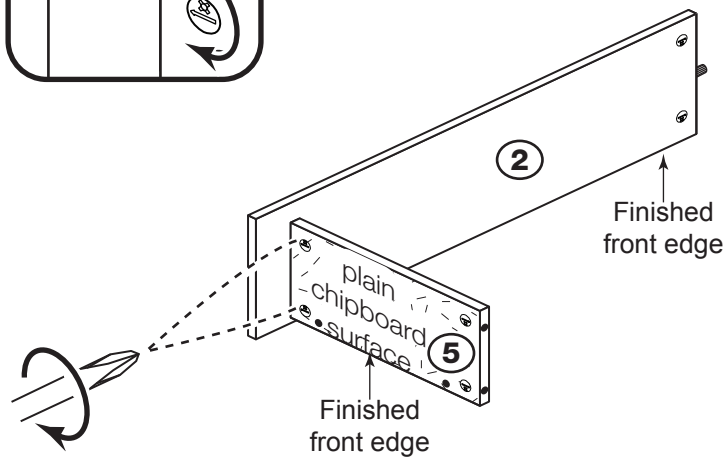
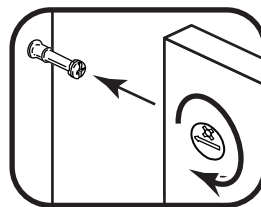
### Step 4

#### Join the Base to the Right Side

Push the Base onto the Right Side.

Use a screwdriver to tighten the 2 Large Locking Nuts fitted to the Base.

Note: Turn the Large Locking Nuts as far as they will go - more than 1/2 a turn.

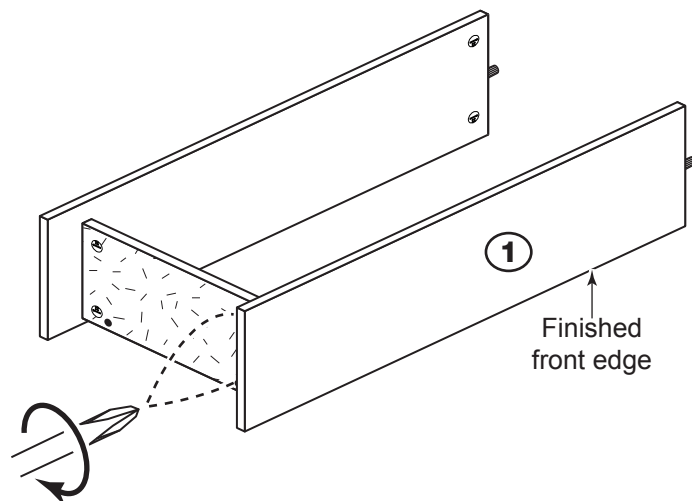


### Step 5

#### Fit the Left Side

Push the Left Side onto the assembly.

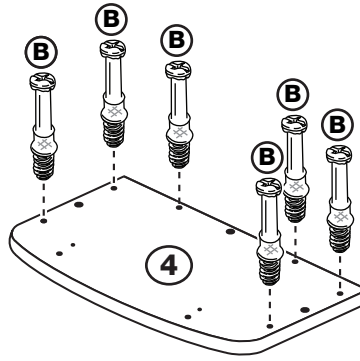
Use a screwdriver to tighten the 2 Large Locking Nuts fitted to the Base.



## Step 6

### Prepare the Top

Screw 6 Large Metal Dowels into the Top.

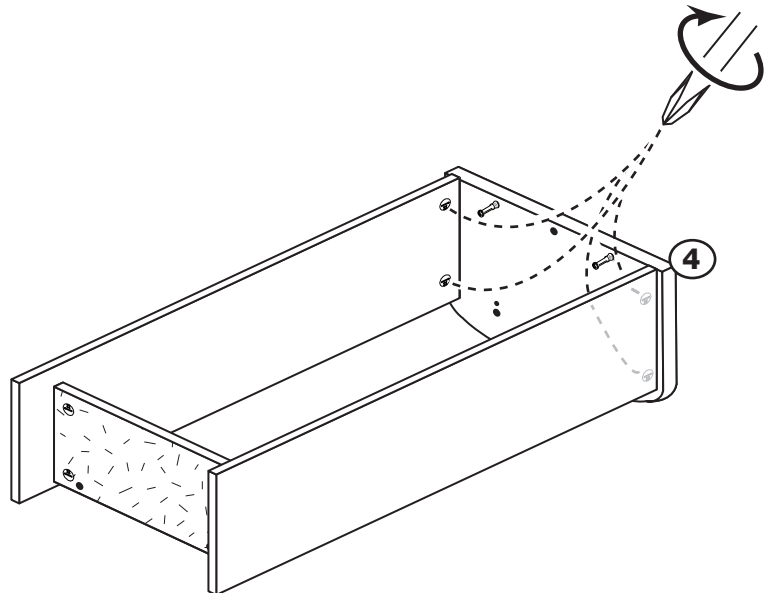


## Step 7

### Fit the Top

Push the Top onto the assembly.

Use a screwdriver to tighten the 4 Large Locking Nuts fitted to the Left Side and Right Side.

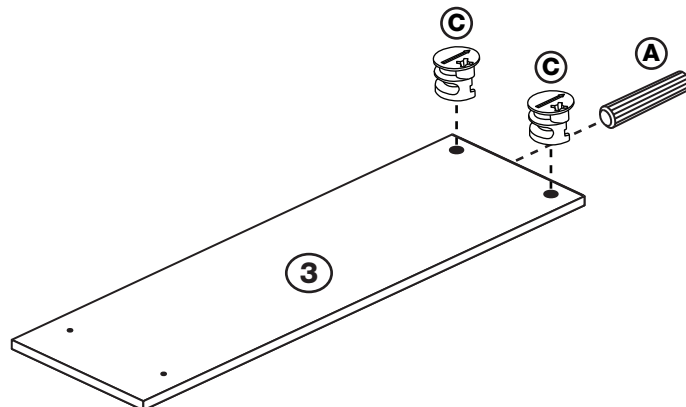


## Step 8

### Prepare the Back

Tap a Wooden Dowel into the Back.

Insert 2 Large Locking Nuts into the Back.



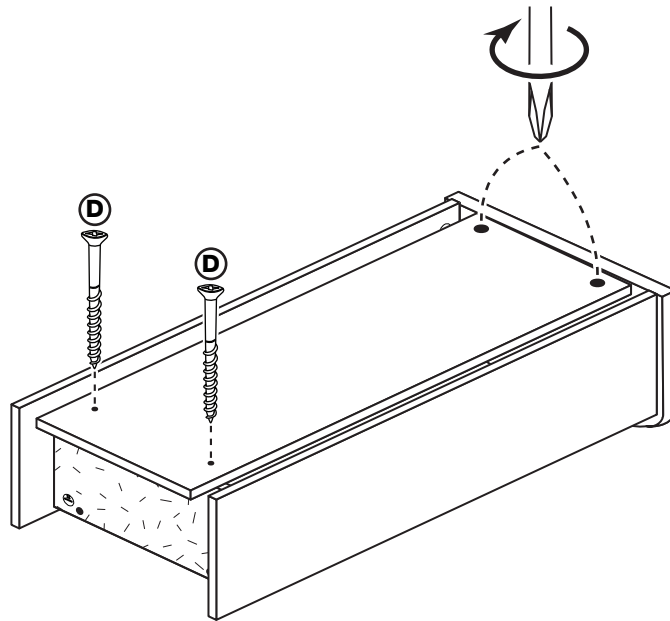
## Step 9

### Fit the Back

Push the Back onto the Top.

Use a screwdriver to tighten the 2 Large Locking Nuts fitted to the Back.

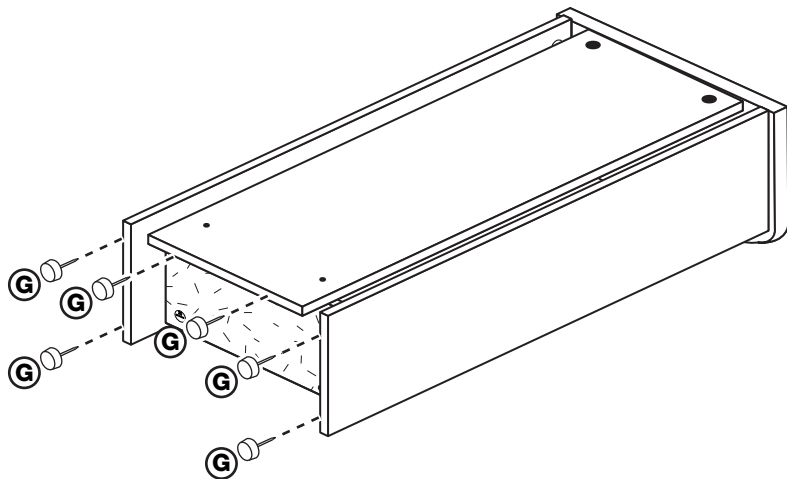
Secure the Back to the back edge of the Base using the two 45mm Screws.



## Step 10

### Fit the Plastic Nails

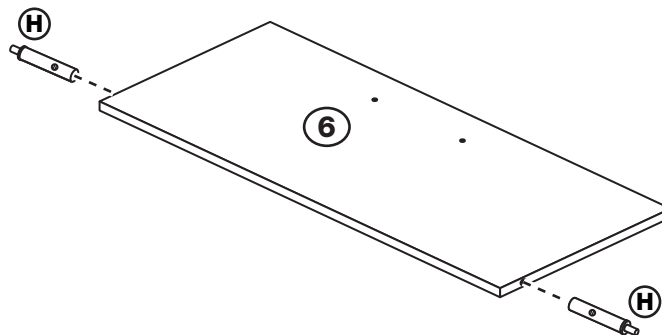
Tap 6 Plastic Nails into the bottom edge of both of the sides and the back as shown



## Step 11

### Prepare the Door

Push fit 2 Sprung Pivots into the Door.



## Step 12

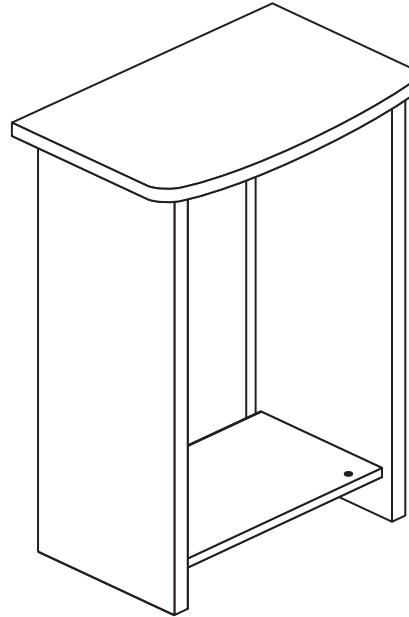
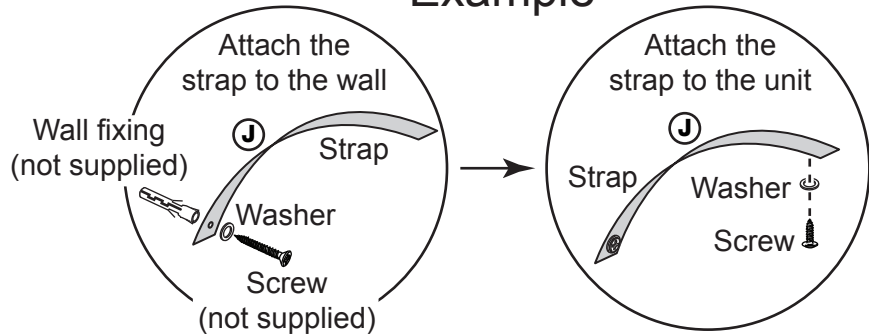
### Fit the overbalance protector kit

To prevent possible overbalancing you must secure this unit to a suitable wall by fitting of the overbalance protector kit to the unit, or an alternative fixing method of your choice.

Wall fixings are not supplied as they will need to suit the wall type.

Take care when drilling the wall that you do not drill into any pipes, wires etc. If in doubt, consult an expert.

## Example



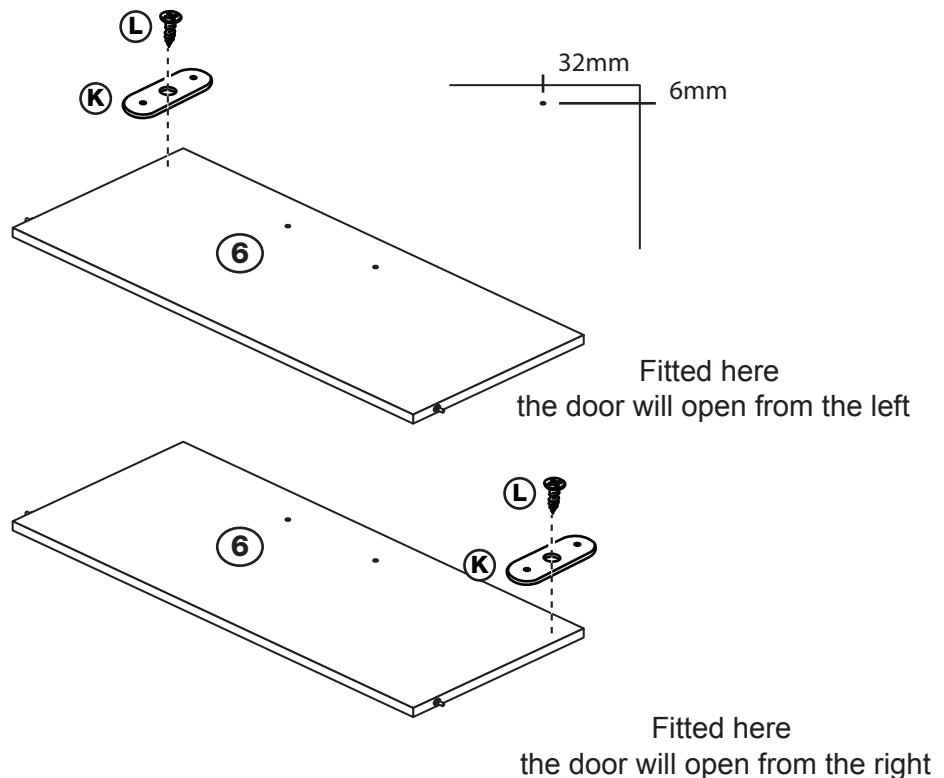
## Step 13

### Fit the Magnetic Catch Plate to the door.

First choose which colour you want to show on the outside of the door and place this face down on the floor with the holes positioned as shown.

Choose whether you want your door to open from the left or the right and fit the magnetic catch plate to suit using a 13mm screw.

Make a mark 32mm from the side of the door and 6mm from the top. Fit the plate to the door using this mark for the screw position.



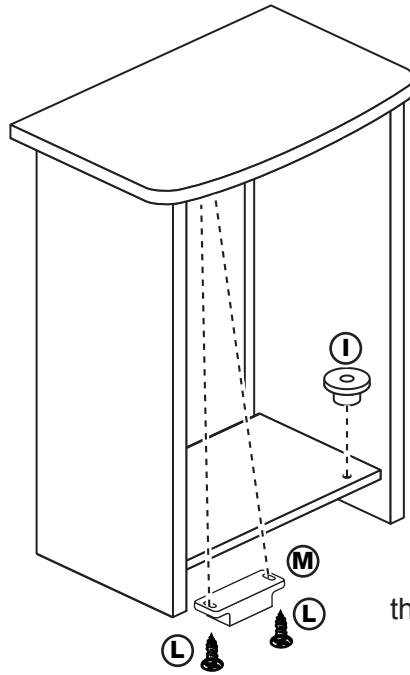


## Step 14

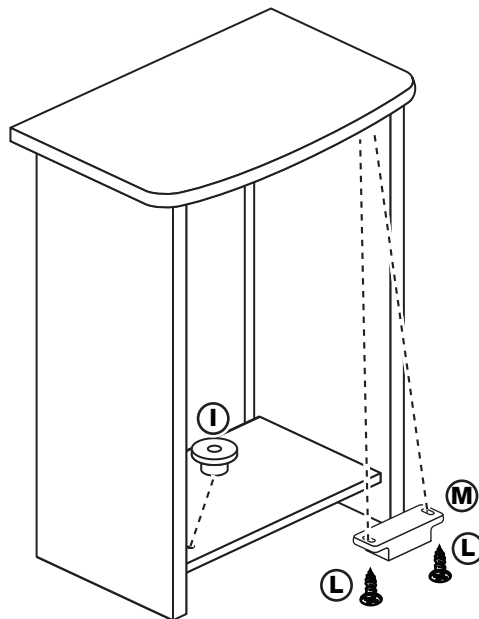
### Fit 1 Pivot Washer and the Magnetic Catch

Push 1 Pivot washer into the Base to suit your choice of door opening.

Fit a magnetic catch to the Top Panel to suit choice of opening using 2 x13mm screws.



Fitted here  
the door will open from the left



Fitted here  
the door will open from the right

## Step 15

### Fit the Doors and the Handles

Support the Door whilst you push the pivot hinge in and fit to the pivot washer on the base.

Then fit the remaining pivot washer onto the top pivot hinge and, carefully, push the pivot hinge in, using the washer.

Slide the door into position so that the pivot washer fits into the hole in the top panel.

Fit the Handle to the Door using the 19mm Screws.

