

Reflex



Aqua One®

13/15/26/35

Inspiring Excellence in Fish Care!



Instruction version:03/09/2013

www.aquaone.com.au

Important Safeguards

To guard against injury, basic safety precautions should be observed, including the following:

1. Read and follow all safety instructions and important notices in these instructions as well as on the product itself.

2. This appliance is not intended for use by children or infirm persons without supervision. Young children should be supervised to ensure that they do not play with the appliance.

3. To avoid possible electric shocks, special care should be taken since water is employed in the use of aquarium equipment. For each of the following situations do not attempt repairs yourself. Return the appliance to an authorised service facility for service or discard the appliance.

a. If the appliance or any electrical component of the appliance (non-immersible equipment only) falls into the water or gets wet, do not reach for it. Unplug it and then retrieve it.

b. If the appliance shows any sign of abnormal water leakage, immediately unplug it from the power source.

c. Carefully examine the appliance after installation. It should not be plugged in if there is water on parts which are not intended to be wet.

d. Do not operate the appliance if it has a damaged cord or plug, or if it is malfunctioning, or dropped or damaged in any manner.

4. A “drip loop” (see graphic) should be arranged for each cable connecting an aquarium to a power supply. The drip loop is the part of the cable below the level of the power supply. It prevents water travelling down the cable and coming into contact with the power supply. If the plug or the socket does get wet, do not unplug the appliance. Disconnect the fuse or circuit breaker that supplies the power to the appliance, then unplug and examine for presence of water in the socket.

5. Always unplug the appliance from the electrical outlet when not in use, before putting on or taking off parts, before any type of maintenance or cleaning.

6. Never yank the cable to pull it from the socket. Pull the plug carefully to disconnect.

7. Do not use the appliance for reasons other than the intended use. The use of attachments that are not recommended or sold by the manufacturer may cause the product to be unsafe. This is not recommended.

8. Do not install or store the appliance where it will be exposed to weather or temperatures below freezing.

9. Make sure any component mounted on a tank is securely installed before operating it.

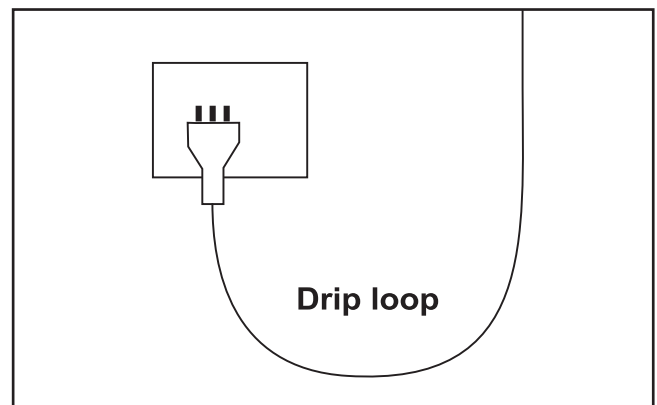
10. Ensure input voltage is the same voltage as your local power supply.

11. If an extension cable is used it should have the proper rating. Care should be taken to arrange the cord so that it will not be tripped or pulled.

12. A G.F.C.I (Ground fault circuit interrupter) & surge protector is recommended for all electrical appliances.

13. Ensure your hands are dry when turning the power switch on/off and when inserting/removing the power cable from the socket.

14. If you are in any doubt about the electrical installation or safety of this product you must consult a qualified electrician.



For Guarantee Conditions, please refer to the Guarantee form that is enclosed with this product.

All products are supplied with fitted plugs. This plug should not be tampered with in any way or removed. Removal or tampering with the plug invalidates our guarantee offered with this product.

For UK a 3 pin adaptor is supplied with the product and this must be used.

Before First Use / Preparation

Read and follow all the instructions, even if you feel you are familiar with the product and find a place to keep the instructions handy for future reference. Your attention is drawn particularly to the sections concerning **“IMPORTANT SAFEGUARDS”** and the **“GUARANTEE CONDITIONS”**. Please ensure you retain your original purchase receipt in the event that guarantee service is required.

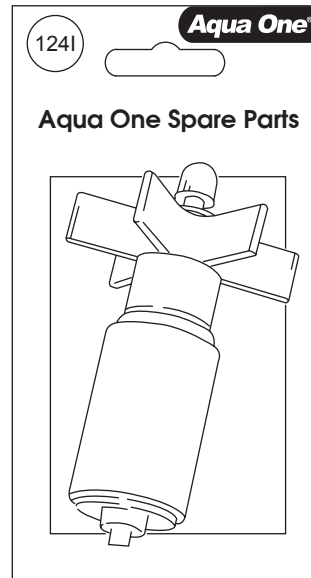
Carefully unpack the aquarium making sure you keep all the packing material until all the parts of the product have been found and the product has been assembled.

This product is shipped to you in a factory sealed carton. Should the product malfunction in any way or if the unit is damaged and requires replacement, contact the retailer where the product was purchased for inspection.

Replacement Parts & Filter Media

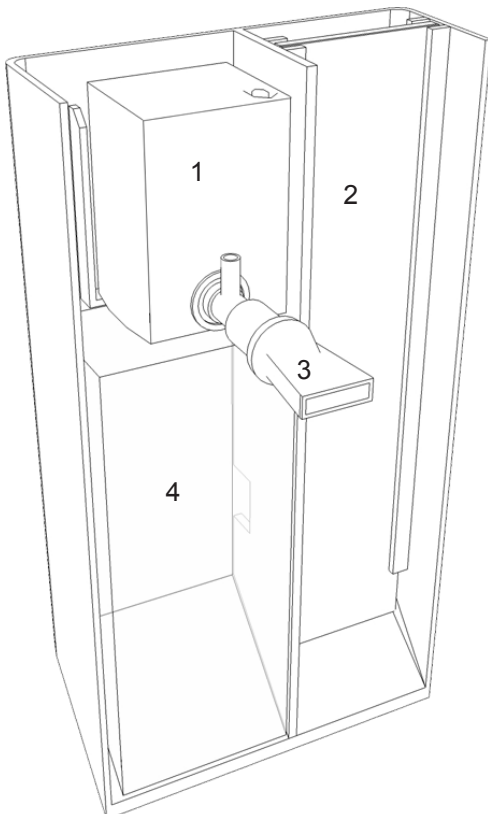
Use Aqua One Genuine Spare Parts Only. See your local Aqua One Dealer and look for the number listed below for the spare part you require. Alternatively you will find these numbers on the silver label located on the product.

Reflex 13/15 Impeller	124I
Reflex 26/35 Impeller	126I
Reflex 13 Carbon Cartridge	124C
Reflex 15 Carbon Cartridge	125C
Reflex 26/35 Carbon Cartridge	126C
Reflex 26/35 Ceramic Cartridge	127C
Reflex 13 Sponge	124S
Reflex 15 Sponge	125S
Reflex 26 Sponge	126S
Reflex 35 Sponge	127S



Know Your Filter

Reflex Aquarium 13/15



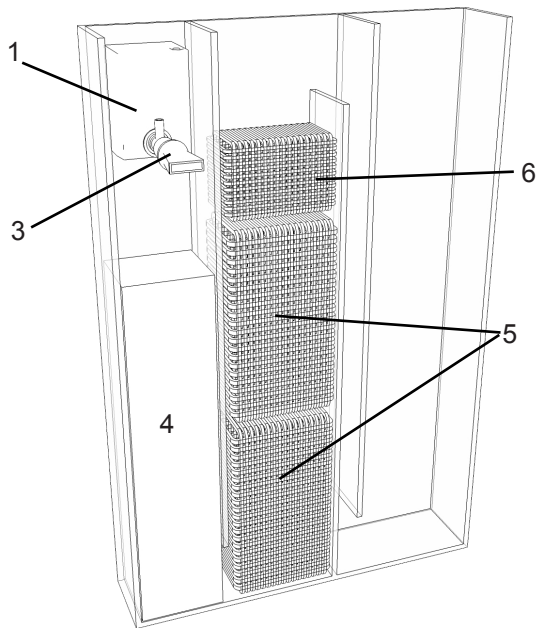
Set up/Parts

1. Pump
2. Carbon Cartridge
3. Duckbill Outlet
4. Sponge

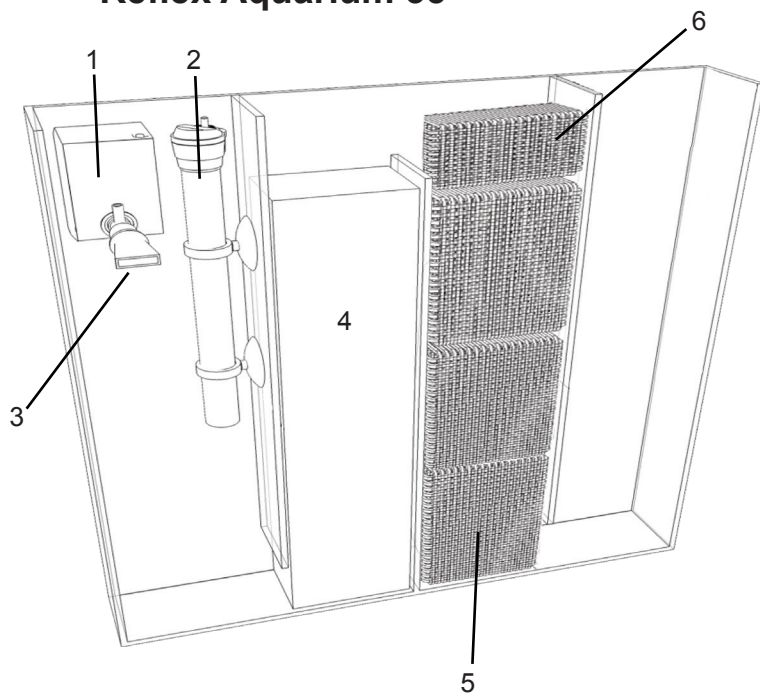
Know Your Filter

Set Up Instructions

Reflex Aquarium 26



Reflex Aquarium 35



Set up/Parts

1. Pump
2. Heater (not included)
3. Duckbill Outlet
4. 15ppi Sponge
5. Ceramic Noodles
6. Carbon Cartridge

Refer to previous page for location of filter components.

1. Consider where you are going to place the aquarium. Keep it away from direct light or areas with large temperature fluctuations.

2. Place the aquarium on a flat level surface strong enough to support its weight.

3. The filter unit comes preassembled but should be checked to ensure all components are in place (check diagram relating to your specific model).

4. If the aquarium will be used for tropical fish, a heater will be required. A heater can be placed within the filter in the space alongside the pipe that connects the pump to the outlet

5. Wash the substrate that will be used in the aquarium. In order to do this, place a portion of the substrate into a bucket and run water through it, churning with your hand. Continue until the water running out of the bucket is clear. Place the washed substrate into the aquarium.

7. Add any rocks or ornaments into the aquarium.

8. Attach the light unit to the rear of the aquarium. Ensure the fastening screws are tightened enough that the light unit does not move. (52 model only, 15 model has a fixed light unit)

9. It is now time to fill the aquarium with water. Ensure the correct dosage of water conditioner (sold separately) is used whenever adding new water to the aquarium.

10. Ensure all power cables are dry and plug the light, heater and pump cables in at the power outlet. Switch the power on.

Maintenance

DAILY:

Feed your fish as per instructions on your fish food container.

Check temperature

Ensure all equipment is running correctly.

Ensure there is sufficient water in the aquarium. When the water level drops due to evaporation the return pump will begin to suck air, resulting in fine bubbles being distributed through the aquarium. When topping up evaporated water, always use dechlorinated tap water or suitably filtered water.

WEEKLY:

Test water parameters including pH, ammonia, nitrite, nitrate and carbonate hardness. Use quality test kits, Aqua One have a range of test kits (sold separately) which will allow you to easily and accurately monitor your water quality.

Some species require specific water conditions. Please seek advice from your marine aquarium specialist.

FORTNIGHTLY: 25% water change

What you will need: A bucket, gravel cleaner, towel, algae scraper and water conditioner. Fish do not need to be removed while performing a water change.

1. Wash your hands.
2. Check the pH and temperature of both the aquarium water and the new water. Make any adjustments that need to be made to the new water.
3. Once the water is ready to use, switch off and remove the light unit and glass lid and place them somewhere safe away from the water where they will not be broken or damaged.

5. Turn the heater and pump off.

6. Place a towel on the floor in front of the aquarium to guard from water spillage.

7. Use an algae scraper and gently remove any algae that is growing on the glass.

8. Using a gravel cleaner, remove 25% of the aquarium water. Take note of how much water is removed and be sure to have enough prepared water to replace all that is removed.

9. Remove the sponges from the filter unit and rinse them in the water that has been removed from the aquarium. Never rinse the sponge or ceramic noodles under tap water as it will kill the beneficial bacteria that live on the filter media.

10. Refill the aquarium using the prepared water. Ensure there is sufficient water so that the pump is fully submerged.

11. Turn the heater and pump back on.

12. Allow the aquarium to run for 30 minutes then check the temperature and pH. Adjust if necessary.

13. Replace the glass lids and light unit.

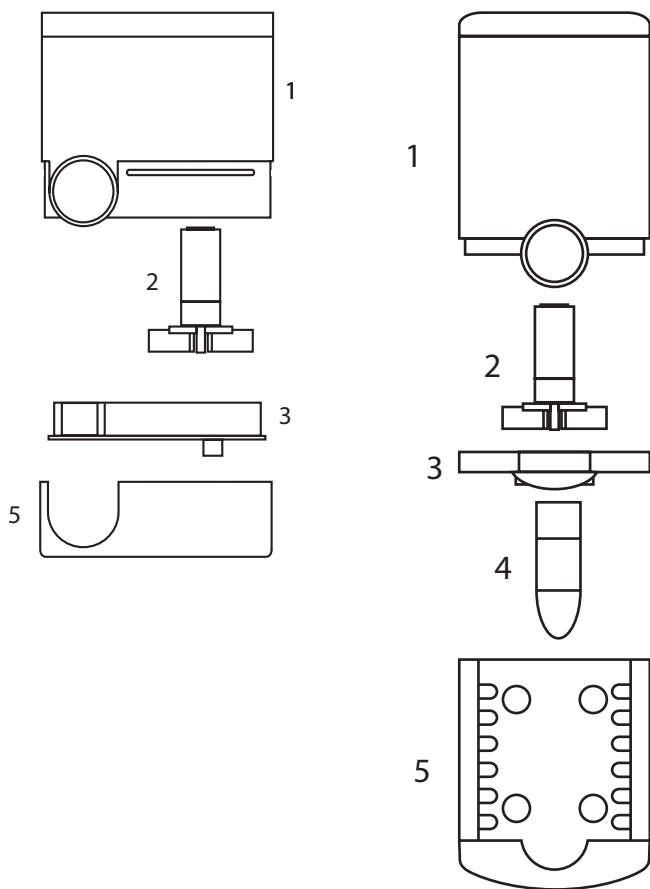
MONTHLY: Pump Maintenance

1. Switch the power to the pump off and disconnect the cable from the power outlet.
2. Remove the pump from the filter by disconnecting the outlet and lifting the pump. Take the pump to the sink for cleaning.
3. Grasp the motor with one hand and prefilter with the other and gently pull apart.
4. Remove the impeller cover to allow access to the impeller.
5. Pull the impeller from the motor and rinse under running water. Use a pipe brush to clean

Specifications

the impeller and the impeller chamber. Rinse all components to remove any debris that has been left.

6. Re-assemble the pump and reconnect it within the filter unit. Ensure your hands are dry, plug the pump in at the power outlet and switch it on.



- 1. Motor
- 2. Impeller
- 3. Impeller Cover
- 4. Impeller Cover Clip
- 5. Intake strainer

Aquarium Model: Reflex 13
Overall Dimensions: 22 x 25 x 27m
Aquarium Volume: 13L
Return Pump Flow Rate: 300L\hr
Light Wattage: 3W LED
Total Power: 8W
Power Requirements: 220 ~ 240V
Suitable: Tropical, Coldwater

Aquarium Model: Reflex 15
Overall Dimensions: 49 x 14 x 26m
Aquarium Volume: 15L
Return Pump Flow Rate: 300L\hr
Light Wattage: 3W LED
Total Power: 8W
Power Requirements: 220 ~ 240V
Suitable: Tropical, Coldwater

Aquarium Model: Reflex 26
Overall Dimensions: 30 x 36 x 36cm
Aquarium Volume: 26L
Return Pump Flow Rate: 400L\hr
Light Wattage: 3.5W LED
Total Power: 8.5W
Power Requirements: 220 ~ 240V
Suitable: Tropical, Coldwater

Aquarium Model: Reflex 35
Overall Dimensions: 39 x 33 x 46cm
Aquarium Volume: 35L
Return Pump Flow Rate: 400L\hr
Light Wattage: 3W LED
Total Power: 8W
Power Requirements: 220 ~ 240V
Suitable: Tropical, Coldwater

Aqua One Manufacturers Guarantee 1 + 1 Year

The additional 1 Year **Extended Guarantee** applies when you **REGISTER online** with Aqua One. Register your Extended Guarantee at www.aquaone.com.au

The Aqua One Aquarium purchased must be installed upon a level surface and weight bearing cabinet and there upon level and load bearing flooring (using a level is recommended). The purchaser must consider the total weight of all items when installing an Aquarium which could be up to 1200kg dependant on the model and accessory items chosen. Consider this, 1L of water = 1kg weight.

About this Guarantee

The Manufacturer or Distributor, of Aqua One goods, is collectively known herein as "Aqua One". Please refer to contact details for Aqua One below or on the applicable Aqua One website. Any product that is covered by its own Guarantee (as enclosed with the product) is subject to the conditions of that Guarantee.

Australian Guarantee

Important note: This guarantee applies in addition to the guarantees, rights and remedies conferred by the Australian Consumer Law and other applicable Commonwealth, State and Territory legislation. The guarantee does not exclude, affect or limit those guarantees, rights or remedies, except to the extent that their application may lawfully be excluded or limited.

In particular, our goods come with guarantees that cannot be excluded under the Australian Consumer Law. You are entitled to a replacement or refund for a major failure and for compensation for any other reasonably foreseeable loss or damage. You are also entitled to have the goods repaired or replaced if the goods fail to be of acceptable quality and the failure does not amount to a major failure.

International Guarantee

The benefits given to the purchaser, under Guarantee, are in addition to all other statutory rights and remedies which the purchaser has in respect of goods under legislation in the applicable country of purchase. This Guarantee shall not affect any such rights and should be read subject to such legislation.

1.0. Terms and Conditions of Guarantee.

- 1.1. Aqua One warrants to the purchaser, for 1 Year from date of original purchase, to repair or replace goods where fault is found due to defective materials or faulty workmanship and where goods do not operate in accordance with the instructions.
- 1.2. All claims for repair or replacement must be made at place of purchase.
- 1.3. The original and dated Proof of Purchase (receipt) must be supplied with all goods claims. Please also provide this Guarantee where possible.
- 1.4. The Guarantee covers the Aquarium against gluing breakdown resulting in leakage.
- 1.5. All goods subject to claim under Guarantee should be prepared for transportation in the original packaging or other comparable packaging which offers the same degree of protection.
- 1.6. Where goods are repaired or replaced under Guarantee, these goods are Guaranteed for the remainder of either the original Guarantee or Extended Guarantee period.
- 1.7. Where claims on inspection reveal goods are in normal working order, Aqua One will request reimbursement of all reasonable costs incurred.

2.0. Other Terms and Conditions – Extended Guarantee

- 2.1. The Extended Guarantee period is for an additional 1 Year and commences on expiration of the standard guarantee period.
- 2.2. Application for Extended Guarantee is FREE of any registration cost to the purchaser on completion of the Extended Guarantee questionnaire which is found on the applicable Aqua One website (refer below).
- 2.3. Upon receipt and acceptance of the questionnaire, Aqua One will forward (by way of email) a Certificate of Extended Guarantee to the purchaser.
- 2.4. For more information on how we collect, hold, use and disclose personal information provided to us, please refer to our Privacy Statement on the Aqua One websites or write to our Privacy Officer, in your country of purchase.
- 2.5. Where Aqua One determines goods are being used in a manner contrary to the instructions, specifications or this Guarantee, Aqua One reserves the right to terminate Extended Guarantee for such goods and will provide written notice to the purchaser.

3.0. Exclusions and Limitations

Where permitted by local law, the following exclusions and limitations apply in regard to Guarantee:

- 3.1. Glass breakage, for whatever reason caused after Aquarium purchase.
 - 3.2. Goods claims where fault is due to, but not limited by a) misuse b) neglect c) abuse d) fire or flood e) normal wear and tear f) accidental breakage g) Acts of God h) mains voltage fluctuation or supply problems i) connection to any voltage other than what is stated on the rating plate j) modification or tampering to electrical cord or plug, k) vermin, insects or foreign object l) liquid spillage or submersion of goods not designed to sustain such use or duress.
 - 3.3. Where inspections reveal goods are in normal working order including where noise or vibration is consistent with normal goods operation.
 - 3.4. Attempted repairs or modifications by unauthorised persons, including but not limited to the drilling of holes in the aquarium glass by unauthorised persons.
 - 3.5. Where the goods factory rating plate has been removed, altered, damaged or is rendered illegible.
 - 3.6. Where goods are not installed, operated or maintained in accordance with Aqua One's goods instructions, specifications or this Guarantee.
 - 3.7. Replacement or repair of worn consumables or replacement of lost goods, parts or components.
 - 3.8. Costs associated with goods transportation, removal, installation, postage or cost of insurance.
 - 3.9. Any damage incurred whilst installing, transporting or moving the goods.
 - 3.10. Subject to certain local statutory rights and obligations to the contrary, and this guarantee shall not affect those rights or obligations, where, to the full extent permitted by law: 1. all express and implied warranties and conditions under statute or general law, are expressly excluded and Aqua One, where permitted, will limit liability as follows and at Aqua One's option to: in regard to goods either a) the replacement of goods or supply of equivalent goods b) the repair of goods or the cost of replacing the goods or of acquiring equivalent goods OR in regard to services either c) the re-supply of services d) the cost to re-supply services.
2. Aqua One will not be liable for any loss or damage, including consequential loss or damage either directly or indirectly, or for any incidental expenses, of any kind, and in any way whatsoever.

(1) consumables include items such as filter media/cartridges, impellers and shafts, light tubes, lamps, bulbs and starters.

Aqua One may be contacted in:

Australia
Kong's (Aust.) Pty. Limited
PO Box 863, Ingleburn
1890 NSW Australia
www.aquaone.com.au

Hong Kong
Kong's Aquarium Supplies Co., Ltd
No 31, 3/F Thriving Industrial Centre
26-38 Sha Tsui Road, Tsuen Wan,
Hong Kong
www.aquaone.co.hk

New Zealand
Kong's (NZ) Limited
PO Box 15 - 183, Tauranga
3015 New Zealand
www.aquaone.co.nz

United Kingdom
Kong's (UK) Limited,
C/O Aqua Pacific UK Ltd.
PO Box 268
Romsey Hampshire, SO51 0WW
United Kingdom
www.aquaone.co.uk

This Aquarium is designed to help simplify general fish keeping. Please note, some specialist fish and aquatic animal or plant keeping require certain considerations, prior to purchase, to ensure proper and successful Aquarium keeping. Therefore, **Aqua One recommends, at time of Aquarium purchase, that you consult with your Aqua One Retailer in regard to the suitability of this product for the types of fishes, aquatic animals or plants you may wish to keep.** Special consideration should also be made in regard to filtration, aquarium heater and lighting requirements to ensure they are specific to your application.

**Disposal of used Electrical & Electronic Equipment
(Applicable in the European Union and other
European countries with separate collection
systems)**



This symbol on the product or on its packaging indicates that the product must not be disposed of with normal household waste. Instead, it is your responsibility to dispose of your waste equipment by arranging to return it to a designated collection point for the recycling of waste electrical and electronic equipment. By separating and recycling your waste equipment at the time of disposal you will help to conserve natural resources and ensure that the equipment is recycled in a manner that protects human health and the environment. For more information about recycling this product, please contact your local city office, your household waste disposal service or the shop where you have purchased the product.

Aqua One®

www.aquaone.com.au

® Aqua One is a registered trademark.